

DIMEN-
SIONS

ASME
B 16.5

WELDING
NECK
FLANGES

ASME
B 16.5

SLIP-ON
FLANGES

ASME
B 16.5

LAP
JOINT
FLANGES

ASME
B 16.5

BLIND
FLANGES

ASME
B 16.5

SOCKET
WELDING
FLANGES

ASME
B 16.5

THREA-
DED
FLANGES



FLANGE TECHNICAL HANDBOOK **ULMA Piping**



BRITISH
STD

B.S.
3293

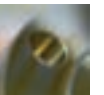
ASME
B 16.47

SERIES
A

ASME
B 16.47

SERIES
B

APPENDIX



ULMA Piping - Headquarters
Registered Name: **ULMA Forja**, S.Coop.
Bo Zubillaga, 3 - P.O. Box 14
20560 Oñati
Gipuzkoa - Spain

Tel. +34 943 78 05 52
Fax +34 943 78 18 08

www.ulmapiping.com

Industrias **ULMA** Venezolana - **Branch office**
Edificio Torre Financiera
Av. Principal Colinas de Bello Monte
Planta intermedia, Oficina PI-F
1041 Caracas
Venezuela

Tel. +58 0212 75 35 013
+58 0212 75 36 833
Fax +58 0212 75 36 631



NOTICE:

While ULMA undertakes to ensure that the technical specifications contained in this document are as accurate as possible, we cannot guarantee the absence of typographical or other errors in this catalogue. Customers are advised not to rely exclusively on the information contained herein. ULMA specifically disclaims any warranty, whether expressed or implied, of fitness for purpose, merchantability or for any other purpose, based on reliance on the information contained in this catalogue.

5 _ 7	COMPANY PROFILE
8 _ 9	FLANGE TYPES
<hr/>	
13 _ 13	PRODUCTION RANGE
14 _ 15	GENERAL SURVEY AND TECHNICAL TERMS OF DELIVERY
16 _ 23	DIMENSIONS OF WELDED AND SEAMLESS STEEL PIPE
25 _ 28	RING JOINT FACINGS
29 _ 30	LARGE AND SMALL MALE/FEMALE FACING LARGE AND SMALL TONGUE/GROOVE FACINGS 150-2500 LB/SQ.IN.
31 _ 32	DIMENSIONAL TOLERANCES
33 _ 33	FACING/WELDING ENDS
<hr/>	
34 _ 13	WELDING NECK & BLIND FLANGES ACC. TO B 16.5
44 _ 51	SLIP-ON FLANGES ACC. TO B 16.5
52 _ 61	LAP JOINT FLANGES ACC. TO B 16.5
62 _ 71	BLIND FLANGES ACC. TO B 16.5
72 _ 75	SOCKET WELDING FLANGES ACC. TO B 16.5
76 _ 85	THREADED FLANGES ACC. TO B 16.5
<hr/>	
86 _ 97	WELDING NECK AND SLIP-ON FLANGES ACC. TO B.S.3293
<hr/>	
98 _ 111	WELDING NECK AND BLIND FLANGES ACC. TO ASME B 16.47, SERIES A
<hr/>	
112 _ 121	WELDING NECK AND BLIND FLANGES ACC. TO ASME B 16.47, SERIES B
<hr/>	
124 _ 125	REDUCING FLANGES
126 _ 127	ORIFICE FLANGES
128 _ 129	MATERIALS

DIMEN-
SIONS

ASME
B 16.5

WELDING
NECK
FLANGES

ASME
B 16.5

SLIP-ON
FLANGES

ASME
B 16.5

LAP
JOINT
FLANGES

ASME
B 16.5

BLIND
FLANGES

ASME
B 16.5

SOCKET
WELDING
FLANGES

ASME
B 16.5

THREADED
FLANGES

INDEX

BRITISH
STD

B.S.
3293

ASME
B 16.47

SERIES
A

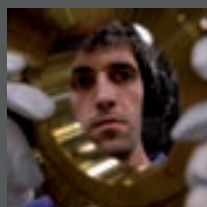
ASME
B 16.47

SERIES
B

APPENDIX



GOLD QUALITY, TOP RELIABILITY



www.ulmapiping.com

ULMA is one of the world's leading manufacturers of flanges. Our flanges are made from a wide variety of materials, including carbon steel, low alloy steel, stainless steel and special alloys. ULMA flanges are designed and manufactured to withstand some of the world's harshest conditions, which they often need to endure in specialized market sectors such as oil & gas, petrochemicals, power generation and mineral refining.

The company, established in 1962, is located in the town of Oñati in the Basque Country of northern Spain, an area with a deep-rooted industrial tradition.

We are equipped with the most modern facilities and a highly qualified workforce, enabling us to offer the widest possible range of flanges. Our product line embodies the highest standards in quality, productivity and dependability. This, combined with our cutting-edge technology, experience and tradition of excellence, has led to our unrivalled reputation for quality and service. Management systems based on the strictest quality standards allow ULMA to develop the products and services that best satisfy our customers' needs of flanges and high quality pressure fittings.

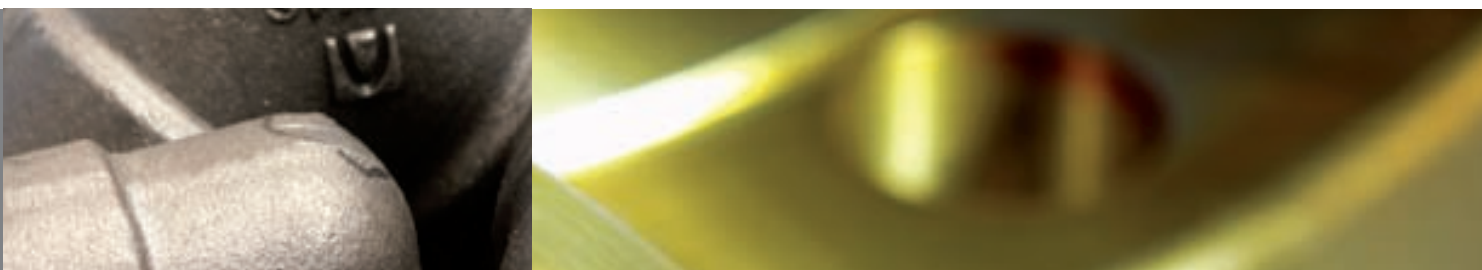
ULMA supports its customers with expertise and quality products in over 70 countries worldwide.

WITH THE EXPERIENCE AND KNOW-HOW OF ULMA'S HIGHLY QUALIFIED TEAM WE CAN OFFER PRODUCTS AND SERVICES THAT EXCEED OUR CUSTOMERS' EXPECTATIONS.

ULMA is proud of its workforce. We are specialized and experienced, highly trained and motivated. Our dedication and thorough understanding of customers' work processes enables us to offer the highest quality in our products and specialized solutions. Our solutions are flexible, customized and ready to perform flawlessly under even the most extreme conditions.

Since 1970 ULMA has actively participated in hundreds of major projects worldwide, always offering the highest quality products together with committed, flexible service. Over these years we have fulfilled and surpassed client expectations, acquiring tremendously valuable know-how that now enables us to handle even the most complex and demanding international projects.





OUR GOAL IS TO SATISFY OUR CUSTOMERS BY OFFERING PRODUCTS AND SERVICES THAT NOT ONLY MEET THEIR REQUIREMENTS BUT ALSO EXCEED THEIR EXPECTATIONS.

The innovation in our production processes through continuous technological re-engineering assures ever-increasing levels of quality, product reliability and efficiency.

As technological demands in the market become greater and greater, innovation plays an increasingly important role. At ULMA we always work with this in mind, and our in-house department collaborates closely with the top European R+D+I Centres to achieve true excellence for our customers.

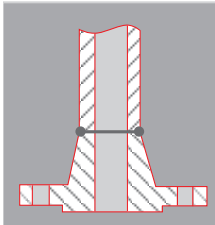
FOR THEIR HIGH QUALITY AND RELIABILITY



EFFICIENT PERFORMANCE

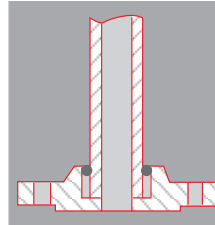
Our highly motivated staff, efficient production system and cutting-edge technology allow us to supply products of the highest quality with tight turnaround times, enabling us to meet the demands of our customers under even the most challenging circumstances.

RELIABLE DELIVERY



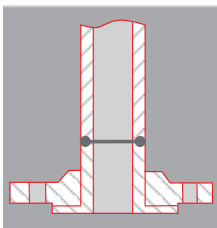
WELDING NECK FLANGE

This group of flanges is designed with a hub on the backside tapering to a diameter that will match the pipe to which it will be welded. These flanges are bored to match the inside diameter of the mating pipe so there will be no restriction of product flow. This prevents turbulence at the joint and reduces erosion. Welding neck flanges are preferred for use in severe service applications involving high pressure, sub-zero and/or elevated temperatures. They also provide excellent stress distribution through the tapered hub and are easily radiographed for flaw detection.



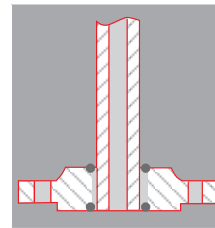
SOCKET WELDING FLANGE

These flanges are similar to slip-on flanges except they have a bore diameter equal to that of the matching pipe. They also have a counterbore from the hub side slightly larger than the outside diameter of the matching pipe. The counterbore provides a "socket" into which the end of the pipe is inserted. The flange is then attached to the pipe by a fillet weld at the hub. The shoulder made by the difference between the bore and counterbore is the same width as the wall of the pipe, thereby providing for an unrestricted flow of product through the connection. These flanges were initially developed for use in small diameter, high-pressure lines. Internally welded socket type flanges are typically used in chemical processes, hydraulic lines and steam distribution lines.



LAP JOINT FLANGE

Used in conjunction with a "Lap Joint Stub End," these flanges are nearly identical to a slip-on flange with the exception of a radius at the intersection of the flange face and the bore to accommodate the flanged portion of the stub end. These flanges are used in applications where the joint must be frequently disassembled for cleaning or where there is a need to facilitate bolt alignment.

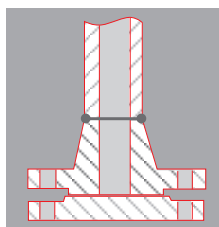


SLIP-ON FLANGE

Slip-on flanges are designed to slide over the outside diameter of the pipe to which it will be welded. These flanges are attached to the pipe by fillet welding at the hub and at the end of the pipe inside the flange. Because of the low hub and method of attachment, these flanges are not normally used in high stress applications.

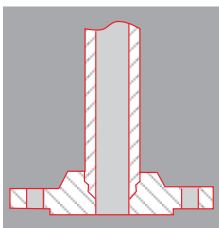
FLANGE TYPES





BLIND FLANGES

These flanges are manufactured without a bore and used as closures or seals for the ends of piping systems. They are also used to provide access covers for pressure vessels. Blind flanges are provided with or without a hub, depending on customer requirements. Under pressure and bolt loading, the blind flange is subjected to more stresses than any other flange type. However, the maximum stresses are bending stresses at the center and are easily absorbed by the flange.



THREADED FLANGE

Threaded flanges are threaded in the bore to match an external thread on the pipe. The threads are tapered to create a seal between the flange and pipe as the tapers approach the same diameter. These flanges are normally designed for low pressure, non-cyclic applications. They are also used in applications where welding is hazardous.

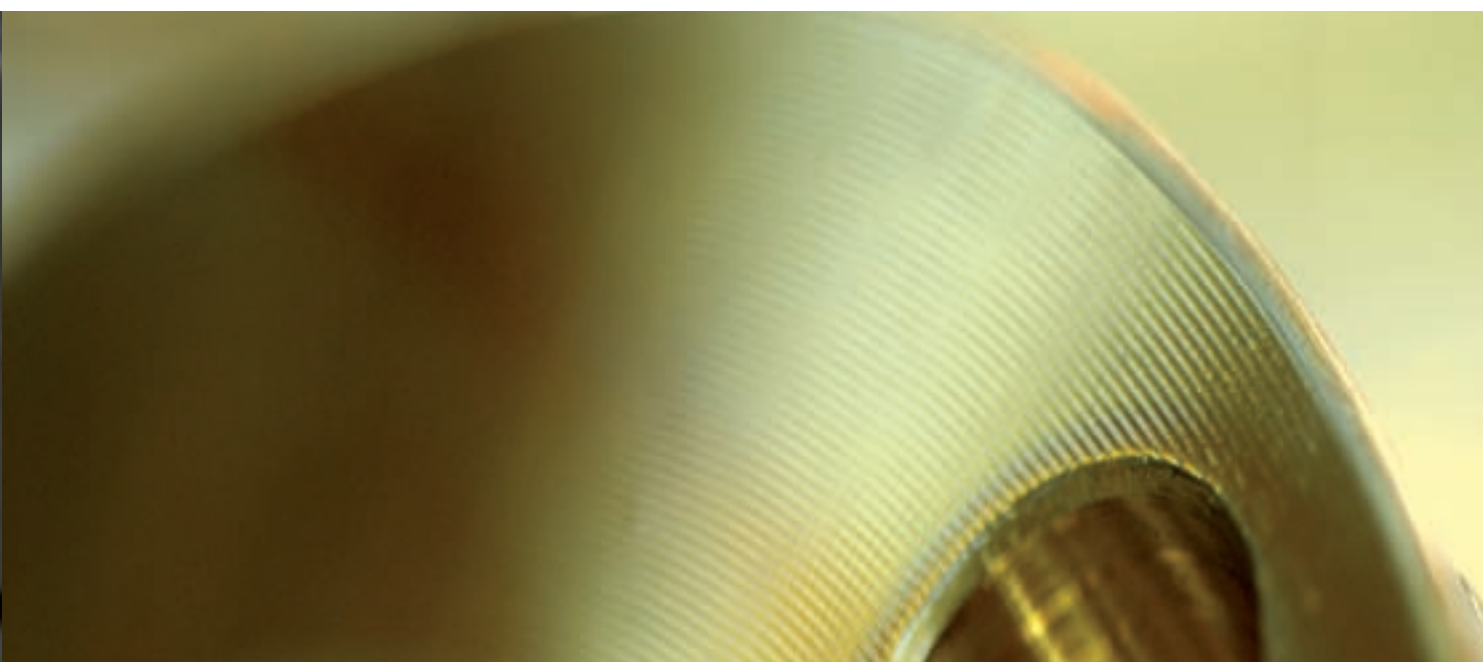
ORIFICE FLANGES

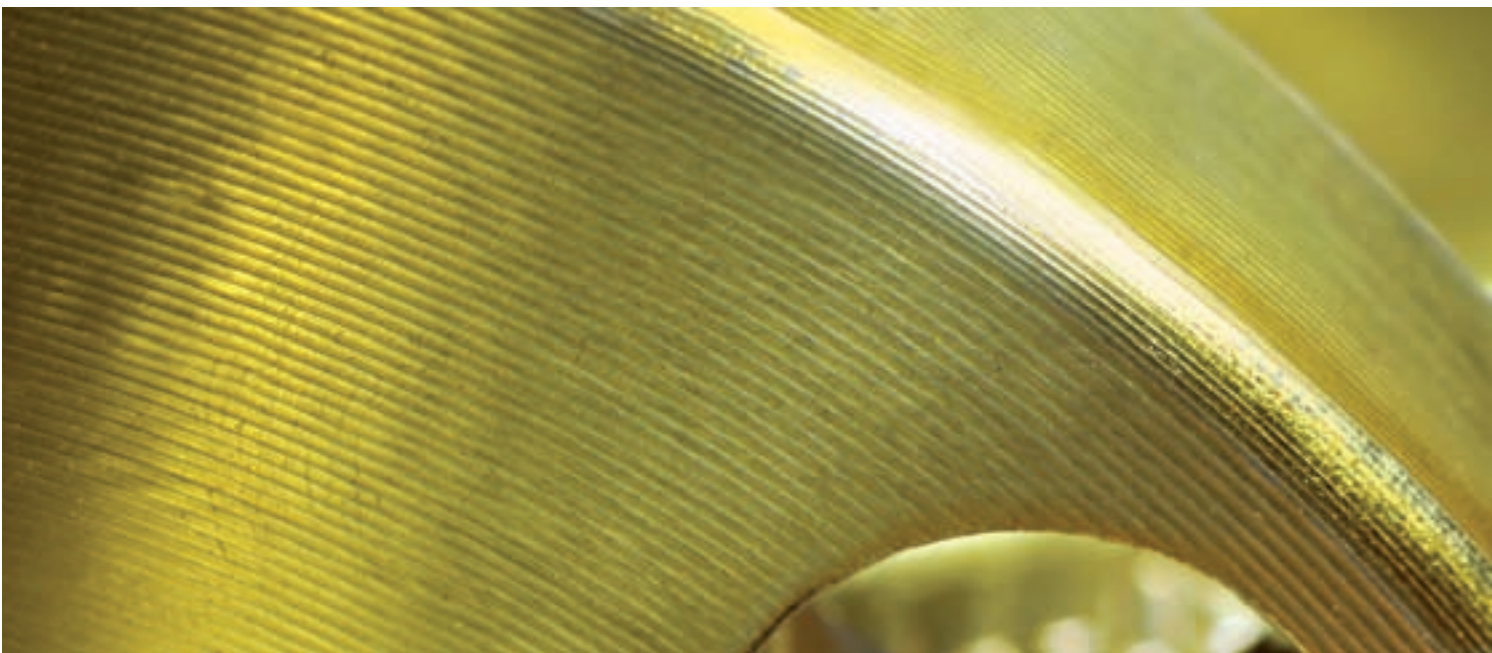
Designed for flow metering systems. Two of these flanges with bolts and jack screws are called an "orifice flange union" and are used in conjunction with an "orifice plate." The orifice plate is a separate commodity and is not sold as a part of the flange assembly. Each flange is provided with a pair of pressure taps for measurement of pressure drop in the flow through the orifice plate. The taps are precisely located with respect to the orifice plate. Orifice flanges may be provided in one of three types of flanges: Welding Neck, Slip On and Threaded.

REDUCING FLANGES

Designed for use in changing diameters in a piping system. A reducing flange consists of a flange with one specified diameter having a bore of a different and smaller, diameter. Except for the bore and hub dimensions, the flange will have dimensions of the larger pipe size. Reducing flanges are normally provided as one of three types: Welding Neck, Slip On and Threaded.

FLANGE TYPES

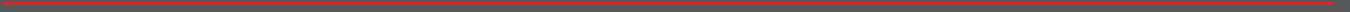






DIMENSIONS





PRODUCTION RANGE

When using printed standards, the most recent issue of the original version shall prevail

Type of Flange	ASME B 16.5	B. S. 3293 *	ASME B16.47 Series A MSS SP-44 *	ASME B 16.47 Series B API Std 605 *	ASME B 16.36
	Nominal Pressure lb/sq. in.				
Welding Neck Flanges	150-2500	150-600	150-900	75-900	
Welding Neck Flanges Ring Joint Type	150-2500	300-600	300-900		
Slip-on Flanges	150-1500	150-600			
Slip-on Flanges Ring Joint Type	150-1500	300-600			
Lap Joint Flanges	150-2500				
Blind Flanges	150-2500			75-900	
Socket Welding Flanges	150-1500				
Threaded Flanges	150-2500				
Reducing Flanges	150-2500				
Orifice 1					300-2500
Short Stub Ends 1					
Long Welding Necks 1					

SIZES OVER 60" AVAILABLE ON REQUEST

* for flanges from nominal size 26 and above
1 Flanges of special design on enquiry

GENERAL SURVEY AND TECHNICAL TERMS OF DELIVERY

TYPE OF FLANGE

Nominal Pressure lb/sq. in.	150 10,6 104	300 21,1 207	400 28,1 276	600 42,2 414	900 63,3 621	1500 106 1030	2500 176 1726
Type of Flange	From 1/2" to max. Nominal Sizes*						
Welding Neck Flanges	24"	24"	24"	24"	24"	24"	12"
Slip-on Flanges	24"	24"	24"	24"	24"	2 1/2"	-
Lap Joint Flanges	24"	24-	24"	24"	24"	24"	12"
Blind Flanges	24"	24"	24"	24"	24"	24"	12"
Socket welding Flanges	3"	3"	-	3"	-	2 1/2"	-
Threaded Flanges	24"	24"	24"	24"	24"	12"	12"

*) for larger flanges than 24- see B. S. 3293, ASME 16.47 Series A and B

Technical Terms of delivery

Flanges are furnished faced and drilled.
Flanges are back faced or spot faced according to MSS-SP 9. This applies to spot facing. Flanges are bored to the foreseen dimensions unless otherwise required.

Additional Remark for Tolerances

(Not covered by ASME B 16.5) Tolerances followed DIN 2512
Height of Facing
+- 0,5 mm

Example of Marking

Flanges are marked as required in ASME B 16.5 with the following datas:
Manufacturer's name or trade mark
B 16
Nominal size
Primary service pressure
Material designation
Heat code
Schedule No.
Ring Number only when using Ring Joint Flanges

DIMENSIONS OF WELDED AND SEAMLESS STEEL PIPE

ASME B 36.10 / 36.19

Nominal Pipe Size DN in.	Outside Diameter		Wall Thickness		Inside Diameter		Identification			Stain less
	in.	mm	in.	mm	in.	mm	API Standard	Std.1 XS;XXS	Schedule Nr.	
1/8"	0.405	10,3	0.049	1,24	0.307	7,8	5L 5L	STD XS	10	10S 40S 80S
			0.057	1,45	0.291	7,4			30	
			0.068	1,73	0.269	6,8			40	
			0.095	2,41	0.215	5,5			80	
1/4"	0.540	13,7	0.065	1,65	0.410	10,4	5L 5L	STD XS	10	10S 40S 80S
			0.073	1,85	0.394	10,0			30	
			0.088	2,24	0.364	9,2			40	
			0.119	3,02	0.302	7,7			80	
3/8"	0.675	17,1	0.065	1,65	0.545	13,8	5L 5L	STD XS	10	10S 40S 80S
			0.073	1,85	0.529	13,4			30	
			0.091	2,31	0.493	12,5			40	
			0.126	3,20	0.423	10,7			80	
1/2"	0.840	21,3	0.065	1,65	0.710	18,0	5L 5L 5L	STD XS XXS	5	5S 10S 40S 80S
			0.083	2,11	0.674	17,1			10	
			0.095	2,41	0.650	16,5			30	
			0.109	2,77	0.622	15,8			40	
			0.147	3,73	0.546	13,8			80	
			0.188	4,78	0.464	11,7			160	
			0.294	7,47	0.252	6,4				
3/4"	1.050	26,7	0.065	1,65	0.920	23,4	5L 5L 5L	STD XS XXS	5	5S 10S 40S 80S
			0.083	2,11	0.884	22,5			10	
			0.095	2,41	0.860	21,9			30	
			0.113	2,87	0.824	21,0			40	
			0.154	3,91	0.742	18,9			80	
			0.219	5,56	0.612	15,6			160	
			0.308	7,82	0.434	11,1				
1"	1.315	33,4	0.065	1,65	1.185	30,1	5L 5L 5L	STD XS XXS	5	5S 10S 40S 80S
			0.109	2,77	1.097	27,9			10	
			0.114	2,90	1.087	27,6			30	
			0.133	3,38	1.049	26,6			40	
			0.179	4,55	0.957	24,3			80	
			0.250	6,35	0.815	20,7			160	
			0.358	9,09	0.599	15,2				
1 1/4"	1.660	42,2	0.065	1,65	1.530	38,9	5L 5L 5L	STD XS XXS	5	5S 10S 40S 80S
			0.109	2,77	1.442	36,7			10	
			0.117	2,97	1.426	36,3			30	
			0.140	3,56	1.380	35,1			40	
			0.191	4,85	1.278	32,5			80	
			0.250	6,35	1.160	29,5			160	
			0.382	9,70	0.896	22,8				
1 1/2"	1.900	48,3	0.065	1,65	1.770	45,0	5L 5L 5L	STD XS XXS	5	5S 10S 40S 80S
			0.109	2,77	1.682	42,8			10	
			0.125	3,18	1.650	41,9			30	
			0.145	3,68	1.610	40,9			40	
			0.200	5,08	1.500	38,1			80	
			0.281	7,14	1.338	34,0			160	
			0.400	10,15	1.100	28,0				
2"	2.375	60,3	0.065	1,65	2.245	57,0	5L 5L 5L	STD XS XXS	5	5S 10S 40S 80S
			0.109	2,77	2.157	54,8			10	
			0.125	3,18	2.125	53,9			30	
			0.154	3,91	2.067	52,5			40	
			0.218	5,54	1.939	49,2			80	
			0.344	8,74	1.687	42,8			160	
			0.436	11,07	1.503	38,2				

1 Std. = Standard Wall
 XS = Extra Strong, XXS = Double Extra Strong

DIMENSIONS OF WELDED AND SEAMLESS STEEL PIPE

ASME B 36.10 / 36.19

Nominal Pipe Size DN in.	Outside Diameter		Wall Thickness		Inside Diameter		Identification			Stain- less							
	in.	mm	in.	mm	in.	mm	API Stan- dard	Std. 1 XS;XXS	Sche- dule Nr.								
2 1/2"	2.875	73,0	0.083	2,11	2.709	68,8	5L 5L 5L	STD XS XXS	5 10 30 40 80 160	5S 10S 40S 80S							
			0.120	3,05	2.635	66,9											
			0.188	4,78	2.499	63,4											
			0.203	5,16	2.469	62,7											
			0.276	7,01	2.323	59,0											
			0.375	9,53	2.125	53,9											
			0.552	14,02	1.771	45,0											
3"	3.500	88,9	0.083	2,11	3.334	84,7	5L 5L 5L 5L 5L 5L 5L 5L 5L	STD XS XXS	5 10 30 40 80 160	5S 10S 40S 80S							
			0.120	3,05	3.260	82,8											
			0.125	3,18	3.250	82,5											
			0.156	3,96	3.188	81,0											
			0.188	4,78	3.124	79,3											
			0.216	5,49	3.068	77,9											
			0.250	6,35	3.000	76,2											
			0.281	7,14	2.938	74,6											
			0.300	7,62	2.900	73,7											
			0.438	11,13	2.624	66,6											
			0.600	15,24	2.300	58,4											
			3 1/2"	4.000	101,6	0.083					2,11	3.834	97,4	5L 5L 5L 5L 5L 5L	STD XS	5 10 30 40 80	5S 10S 40S 80S
0.120	3,05	3.760				95,5											
0.125	3,18	3.750				95,2											
0.156	3,96	3.688				93,7											
0.188	4,78	3.624				92,0											
0.226	5,74	3.548				90,1											
0.250	6,35	3.500				88,9											
0.281	7,14	3.438				87,3											
0.318	8,08	3.364				85,4											
4"	4.500	114,3	0.083	2,11	4.334	110,1	5L 5L 5L 5L 5L 5L 5L 5L 5L 5L 5L 5L	STD XS XXS	5 10 30 40 80 120 160	5S 10S 40S 80S							
			0.120	3,05	4.260	108,2											
			0.125	3,18	4.250	107,9											
			0.156	3,96	4.188	106,4											
			0.188	4,78	4.124	104,7											
			0.219	5,56	4.062	103,2											
			0.237	6,02	4.026	102,3											
			0.250	6,35	4.000	101,6											
			0.281	7,14	3.938	100,0											
			0.312	7,92	3.876	98,5											
			0.337	8,56	3.826	97,2											
			0.438	11,13	3.624	92,0											
			0.531	13,49	3.438	87,3											
			0.674	17,12	3.152	80,1											
			5"	5.563	141,3	0.109					2,77	5.345	135,8	5L 5L 5L 5L 5L 5L 5L 5L 5L 5L 5L	STD XS XXS	5 10 40 80 120 160	5S 10S 40S 80S
						0.134					3,40	5.295	134,5				
0.156	3,96	5.251				133,4											
0.188	4,78	5.187				131,7											
0.219	5,56	5.125				130,2											
0.258	6,55	5.047				128,2											
0.281	7,14	5.001				127,0											
0.312	7,92	4.939				125,5											
0.344	8,74	4.875				123,8											
0.375	9,53	4.813				122,2											
0.500	12,70	4.563				115,9											
0.625	15,88	4.313				109,5											
0.750	19,05	4.063				103,2											

DIMENSIONS OF WELDED AND SEAMLESS STEEL PIPE

ASME B 36.10 / 36.19

Nominal Pipe Size DN in.	Outside Diameter		Wall Thickness		Inside Diameter		Identification			Stain- less
	in	mm	in.	mm	in.	mm	API Stan- dard	Std. 1 XS;XXS	Sche- dule Nr.	
6"	6.625	168,3	0.109	2,77	6.407	162,8	5L	STD	5	5S
			0.134	3,40	6.357	161,5				
			0.188	4,78	6.249	158,7				
			0.219	5,56	6.187	157,2				
			0.250	6,35	6.125	155,6				
			0.280	7,11	6.065	154,1				
			0.312	7,92	6.001	152,5				
			0.344	8,74	5.937	150,8				
			0.375	9,53	5.875	149,2				
			0.432	10,97	5.761	146,4				
			0.562	14,27	5.501	139,8				
			0.719	18,26	5.187	131,8				
			0.864	21,95	4.897	124,4				
			10	40	80S					
			40	80	120	160				
			8"	8.625	219,1	0.109				
0.148	3,76	8.329				211,6				
0.188	4,78	8.249				209,5				
0.219	5,56	8.187				208,0				
0.250	6,35	8.125				206,4				
0.277	7,04	8.071				205,0				
0.312	7,92	8.001				203,3				
0.322	8,18	7.981				202,7				
0.344	8,74	7.937				201,6				
0.375	9,53	7.875				200,0				
0.406	10,31	7.813				198,5				
0.438	11,13	7.749				196,8				
0.500	12,70	7.625				193,7				
0.594	15,09	7.437				188,9				
0.719	18,26	7.187				182,6				
0.812	20,62	7.001				177,9				
0.875	22,23	6.875				174,6				
0.906	23,01	6.813				173,1				
10	20	40S								
20	30	60				80S				
30	40	100	120	140						
40	60	80	100	120	140					
10"	10.750	273,0	0.134	3,40	10.482	266,2	5L	STD	5	5S
			0.165	4,19	10.420	264,6				
			0.188	4,78	10.374	263,4				
			0.219	5,56	10.312	261,9				
			0.250	6,35	10.250	260,3				
			0.279	7,09	10.192	258,8				
			0.307	7,80	10.136	257,4				
			0.344	8,74	10.062	255,5				
			0.365	9,27	10.020	254,5				
			0.438	11,13	9.874	250,7				
			0.500	12,70	9.750	247,6				
			0.594	15,09	9.562	242,8				
			0.719	18,26	9.312	236,5				
			0.844	21,44	9.062	230,1				
			1.000	25,40	8.750	222,2				
			1.125	28,58	8.500	215,8				
			10	20	40S					
			20	30	60	80S				
30	40	100	120	140	160					
12"	12.750	323,8	0.156	3,96	12.438	315,9	5L	STD	5	5S
			0.180	4,57	12.390	314,7				
			0.203	5,16	12.344	313,5				
			0.219	5,56	12.312	312,7				
			0.250	6,35	12.250	311,1				
			0.281	7,14	12.188	309,5				
			0.312	7,92	12.126	308,0				
			0.330	8,38	12.090	307,0				
			0.344	8,74	12.062	306,3				
			10	20	30	40S				
			10	20	30	40S				
			10	20	30	40S				
			10	20	30	40S				
			10	20	30	40S				

1 Std. = Standard Wall
 XS = Extra Strong, XXS = Double Extra Strong

DIMENSIONS OF WELDED AND SEAMLESS STEEL PIPE

ASME B 36.10 / 36.19

Nominal Pipe Size DN in.	Outside Diameter		Wall Thickness		Inside Diameter		Identification			Stainless			
	in.	mm	in.	mm	in.	mm	API Standard	Std.1 XS;XXS	Schedule Nr.				
12"	12.750	323,8	0.375	9,53	12.000	304,7	5L	STD	40	40S			
			0.406	10,31	11.938	303,2	5L						
			0.438	11,13	11.874	301,5	5L						
			0.500	12,70	11.750	298,4	5L	XS	60	80S			
			0.562	14,27	11.626	295,3	5L						
			0.688	17,48	11.374	288,8	5L						
			0.844	21,44	11.062	280,9	5L	XXS	100				
			1.000	25,40	10.750	273,0							
			1.125	28,58	10.500	266,6							
			1.312	33,32	10.126	257,2	5L	140					
			14"	14.000	355,6	0.156	3,96	13.688	347,7	5L	STD	5	5S
0.188	4,78	13.624				346,0							
0.210	5,33	13.580				344,9							
0.219	5,56	13.562				344,5							
0.250	6,35	13.500				342,9							
0.281	7,14	13.438				341,3							
0.312	7,92	13.376				339,8							
0.344	8,74	13.312				338,1							
0.375	9,53	13.250				336,5							
0.438	11,13	13.124				333,3							
0.469	11,91	13.062				331,8							
0.500	12,70	13.000				330,2							
0.594	15,09	12.812				325,4	5L	XS	10				
0.750	19,05	12.500				317,5							
0.938	23,83	12.124				307,9							
1.094	27,79	11.812				300,0	5L	STD	20				
1.250	31,75	11.500				292,1							
1.406	35,71	11.188				284,2							
16"	16.000	406,4				0.165	4,19	15.670	398,0	5L	STD	5	5S
						0.188	4,78	15.624	396,8				
						0.219	5,56	15.562	395,3				
			0.250	6,35	15.500	393,7							
			0.281	7,14	15.438	392,1							
			0.312	7,92	15.376	390,6							
			0.344	8,74	15.312	388,9							
			0.375	9,53	15.250	387,3							
			0.438	11,13	15.124	384,1							
			0.469	11,91	15.062	382,6							
			0.500	12,70	15.000	381,0							
			0.656	16,66	14.688	373,1	5L	XS	10				
			0.844	21,44	14.312	363,5							
			1.031	26,19	13.938	354,0							
			1.219	30,96	13.562	344,5	5L	STD	20				
			1.438	36,53	13.124	333,3							
			1.594	40,49	12.812	325,4							
			18"	18.000	457,2	0.165	4,19	17.670	448,8	5L	STD	5	5S
						0.188	4,78	17.624	447,6				
0.250	6,35	17.500				444,5							
0.281	7,14	17.438				442,9	5L	10					
0.312	7,92	17.376				441,4							
0.344	8,74	17.312				439,7							
0.375	9,53	17.250				438,1	5L	20					
0.406	10,31	17.188				436,6							
0.438	11,13	17.124				434,9							
0.469	11,91	17.062				433,4	5L	30					

DIMENSIONS OF WELDED AND SEAMLESS STEEL PIPE

ASME B 36.10 / 36.19

Nominal Pipe Size DN in.	Outside Diameter		Wall Thickness		Inside Diameter		Identification			Stainless
	in.	mm	in.	mm	in.	mm	API Standard	Std.1 XS;XXS	Schedule Nr.	
18"	18.000	457,2	0.500	12,70	17.000	431,8	5L	XS	40 60 80 100 120 140 160	
			0.562	14,27	16.876	428,7				
			0.750	19,05	16.500	419,1				
			0.938	23,83	16.124	409,5				
			1.156	29,36	15.688	398,5				
			1.375	34,93	15.250	387,3				
			1.562	39,67	14.876	377,9				
			1.781	45,24	14.438	366,7				
20"	20.000	508,0	0.188	4,78	19.624	498,4	5L	STD	5 10	5S 10S
			0.219	5,54	19.562	496,9				
			0.250	6,35	19.500	495,3				
			0.281	7,14	19.438	493,7	5L	STD	20	
			0.312	7,92	19.376	492,2				
			0.344	8,74	19.312	490,5				
			0.375	9,53	19.250	488,9	5L	XS	30 40 60 80 100 120 140 160	
			0.406	10,31	19.188	487,4				
			0.438	11,13	19.124	485,7				
			0.469	11,91	19.062	484,2	5L	XS	30 40 60 80 100 120 140 160	
			0.500	12,70	19.000	482,6				
			0.594	15,09	18.812	477,8				
			0.812	20,62	18.376	466,8	5L	XS	30 40 60 80 100 120 140 160	
			1.031	26,19	17.938	455,6				
			1.281	32,54	17.438	442,9				
			1.500	38,10	17.000	431,8				
			1.750	44,45	16.500	419,1				
			1.969	50,01	16.062	408,0				
22"	22.000	558,8	0.188	4,78	21.624	549,2	5L	STD	5 10	5S 10S
			0.218	5,54	21.564	547,7				
			0.250	6,35	21.500	546,1				
			0.281	7,14	21.438	544,5	5L	STD	20	
			0.312	7,92	21.376	543,0				
			0.344	8,74	21.312	541,3				
			0.375	9,53	21.250	539,7	5L	XS	30 60 80 100 120 140 160	
			0.406	10,31	21.188	538,2				
			0.438	11,13	21.124	536,5				
			0.469	11,91	21.062	535,0	5L	XS	30 60 80 100 120 140 160	
			0.500	12,70	21.000	533,4				
			0.625	15,88	20.750	527,0				
			0.875	22,23	20.250	514,3	5L	XS	30 60 80 100 120 140 160	
			1.125	28,58	19.750	501,6				
			1.375	34,93	19.250	488,9				
			1.625	41,28	18.750	476,2				
			1.875	47,63	18.250	463,5				
			2.125	53,98	17.750	450,8				
24"	24.000	609,6	0.218	5,54	23.564	598,5	5L	STD	5 10	5S 10S
			0.250	6,35	23.500	596,9				
			0.281	7,14	23.438	595,3				
			0.312	7,92	23.376	593,8	5L	STD	20	
			0.344	8,74	23.312	592,1				
			0.375	9,53	23.250	590,5				
			0.406	10,31	23.188	589,0	5L	XS	30 60 80 100 120 140 160	
			0.438	11,13	23.124	587,3				
			0.469	11,91	23.062	585,8				
			0.500	12,70	23.000	584,2	5L	XS	30 60 80 100 120 140 160	
			0.562	14,27	22.876	581,1				

1 Std. = Standard Wall
 XS = Extra Strong, XXS = Double Extra Strong

DIMENSIONS OF WELDED AND SEAMLESS STEEL PIPE

ASME B 36.10 / 36.19

Nominal Pipe Size DN in.	Outside Diameter		Wall Thickness		Inside Diameter		Identification			Stainless					
	in.	mm	in.	mm	in.	mm	API Standard	Std.1 XS;XXS	Schedule Nr.						
24"	24.000	609,6	0.688	17,48	22.624	574,6	5L			40					
			0.969	24,61	22.062	560,4									
			1.219	30,96	21.562	547,7									
			1.531	38,89	20.938	531,8									
			1.812	46,02	20.376	517,6									
			2.062	52,37	19.876	504,9									
			2.344	59,54	19.312	490,5									
26"	26.000	660,4	0.250	6,35	25.500	647,7	5L	STD	10						
			0.281	7,14	25.438	646,1									
			0.312	7,92	25.376	644,6									
			0.344	8,74	25.312	642,9									
			0.375	9,53	25.250	641,3									
			0.406	10,31	25.188	639,8									
			0.438	11,13	25.124	638,1									
			0.469	11,91	25.062	636,6									
			0.500	12,70	25.000	635,0									
			0.562	14,27	24.876	631,9									
			0.250	6,35	27.500	698,5	5L					STD	10		
			0.281	7,14	27.438	696,9									
			0.312	7,92	27.376	695,4									
			0.344	8,74	27.312	693,7									
0.375	9,53	27.250	692,1												
0.406	10,31	27.188	690,6												
0.438	11,13	27.124	688,9												
0.469	11,91	27.062	687,4												
0.500	12,70	27.000	685,8												
0.625	15,88	26.750	679,4												
0.250	6,35	29.500	749,3	5L	STD	5	5S								
0.281	7,14	29.438	747,7												
0.312	7,92	29.376	746,2												
0.344	8,74	29.312	744,5												
0.375	9,53	29.250	742,9												
0.406	10,31	29.188	741,4												
0.438	11,13	29.124	739,7												
0.469	11,91	29.062	738,2												
0.500	12,70	29.000	736,6												
0.625	15,88	28.750	730,2												
0.250	6,35	31.500	800,1	5L					STD	10					
0.281	7,14	31.438	798,5												
0.312	7,92	31.376	797,0												
0.344	8,74	31.312	795,3												
0.375	9,53	31.250	793,7												
0.406	10,31	31.188	792,2												
0.438	11,13	31.124	790,5												
0.469	11,91	31.062	789,0												
0.500	12,70	31.000	787,4												
0.625	15,88	30.750	781,0												
0.688	17,48	30.624	777,8												
0.250	6,35	31.500	800,1	5L	XS	20									
0.281	7,14	31.438	798,5												
0.312	7,92	31.376	797,0												
0.344	8,74	31.312	795,3												
0.375	9,53	31.250	793,7												
0.406	10,31	31.188	792,2												
0.438	11,13	31.124	790,5												
0.469	11,91	31.062	789,0												
0.500	12,70	31.000	787,4												
0.625	15,88	30.750	781,0												
0.688	17,48	30.624	777,8												
0.250	6,35	31.500	800,1	5L					XS	30					
0.281	7,14	31.438	798,5												
0.312	7,92	31.376	797,0												
0.344	8,74	31.312	795,3												
0.375	9,53	31.250	793,7												
0.406	10,31	31.188	792,2												
0.438	11,13	31.124	790,5												
0.469	11,91	31.062	789,0												
0.500	12,70	31.000	787,4												
0.625	15,88	30.750	781,0												
0.688	17,48	30.624	777,8												
0.250	6,35	31.500	800,1	5L	XS	40									
0.281	7,14	31.438	798,5												
0.312	7,92	31.376	797,0												
0.344	8,74	31.312	795,3												
0.375	9,53	31.250	793,7												
0.406	10,31	31.188	792,2												
0.438	11,13	31.124	790,5												
0.469	11,91	31.062	789,0												
0.500	12,70	31.000	787,4												
0.625	15,88	30.750	781,0												
0.688	17,48	30.624	777,8												

DIMENSIONS OF WELDED AND SEAMLESS STEEL PIPE

ASME B 36.10 / 36.19

Nominal Pipe Size DN in.	Outside Diameter		Wall Thickness		Inside Diameter		Identification			Stainless						
	in.	mm	in.	mm	in.	mm	API Standard	Std.1 XS; XXS	Schedule Nr.							
34"	34.000	863,6	0.250	6,35	33.500	850,9	5L	STD	10							
			0.281	7,14	33.438	849,3	5L									
			0.312	7,92	33.376	847,8	5L									
			0.344	8,74	33.312	846,1	5L									
			0.375	9,53	33.250	844,5	5L									
			0.406	10,31	33.188	843,0	5L									
			0.438	11,13	33.124	841,3	5L									
			0.469	11,91	33.062	839,8	5L									
			0.500	12,70	33.000	838,2	5L									
			0.625	15,88	32.750	831,8	5L									
			0.688	17,48	32.624	828,6	5L									
			36"	36.000	914,4	0.250	6,35				35.500	901,7	5L	STD	10	
						0.281	7,14				35.438	900,1	5L			
0.312	7,92	35.376				898,6	5L									
0.344	8,74	35.312				896,9	5L									
0.375	9,53	35.250				895,3	5L									
0.406	10,31	35.188				893,8	5L									
0.438	11,13	35.124				892,1	5L									
0.469	11,91	35.062				890,6	5L									
0.500	12,70	35.000				889,0	5L									
0.562	14,27	34.876				885,9	5L									
0.625	15,88	34.750				882,6	5L									
0.750	19,05	34.500				876,3	5L									
38"	38.000	965,2				0.312	7,92	37.376	949,4	5L	STD					
			0.344	8,74	37.312	947,7	5L									
			0.375	9,53	37.250	946,1	5L									
			0.406	10,31	37.188	944,6	5L									
			0.438	11,13	37.124	942,9	5L									
			0.469	11,91	37.062	941,4	5L									
			0.500	12,70	37.000	939,8	5L									
			0.562	14,27	36.876	936,7	5L									
			0.625	15,88	36.750	933,4	5L									
			0.688	17,48	36.624	930,2	5L									
			0.750	19,05	36.500	927,1	5L									
			40"	40.000	1016,0	0.312	7,92	39.376	1000,2	5L				STD		
						0.344	8,74	39.312	998,5	5L						
0.375	9,53	39.250				996,9	5L									
0.406	10,31	39.188				995,4	5L									
0.438	11,13	39.124				993,7	5L									
0.469	11,91	39.062				992,2	5L									
0.500	12,70	39.000				990,6	5L									
0.562	14,27	38.876				987,5	5L									
0.625	15,88	38.750				984,2	5L									
0.688	17,48	38.624				981,0	5L									
0.750	19,05	38.500				977,9	5L									
42"	42.000	1066,8				0.344	8,74	41.312	1049,3	5L	STD					
						0.375	9,53	41.250	1047,7	5L						
			0.406	10,31	41.188	1046,2	5L									
			0.438	11,13	41.124	1044,5	5L									
			0.469	11,91	41.062	1043,0	5L									
			0.500	12,70	41.000	1041,4	5L									
			0.562	14,27	40.876	1038,3	5L									
			0.625	15,88	40.750	1035,0	5L									
			0.688	17,48	40.624	1031,8	5L									
			0.750	19,05	40.500	1028,7	5L									
			42"	42.000	1066,8	0.344	8,74	41.312	1049,3	5L				XS		
						0.375	9,53	41.250	1047,7	5L						
						0.406	10,31	41.188	1046,2	5L						
0.438	11,13	41.124				1044,5	5L									
0.469	11,91	41.062				1043,0	5L									
0.500	12,70	41.000				1041,4	5L									
0.562	14,27	40.876				1038,3	5L									
0.625	15,88	40.750				1035,0	5L									
0.688	17,48	40.624				1031,8	5L									
0.750	19,05	40.500				1028,7	5L									

1 Std. = Standard Wall
 XS = Extra Strong, XXS = Double Extra Strong

DIMENSIONS OF WELDED AND SEAMLESS STEEL PIPE

ASME B 36.10 / 36.19

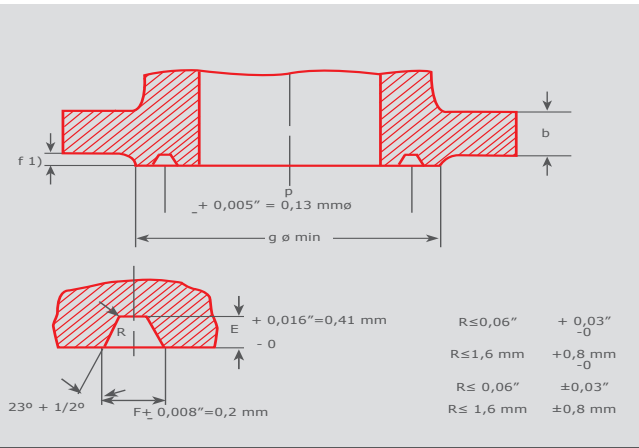
Nominal Pipe Size DN in.	Outside Diameter		Wall Thickness		Inside Diameter		Identification			Stainless
	in.	mm	in.	mm	in.	mm	API Standard	Std.1 XS;XXS	Schedule Nr.	
44"	44.000	1117,6	0.344	8,74	43.312	1100,1	5L	STD		
			0.375	9,53	43.250	1098,5	5L			
			0.406	10,31	43.188	1097,0	5L			
			0.438	11,13	43.124	1095,3	5L			
			0.469	11,91	43.062	1093,8	5L			
			0.500	12,70	43.000	1092,2	5L			
			0.562	14,27	42.876	1089,1	5L			
			0.625	15,88	42.750	1085,8	5L			
			0.688	17,48	42.624	1082,6	5L			
			0.750	19,05	42.500	1079,5	5L			
			0.812	20,62	40.376	1076,4	5L			
			0.875	22,23	40.250	1073,1	5L			
			0.938	23,83	40.124	1069,9	5L			
			1.000	25,40	40.000	1066,8	5L			
			1.062	26,97	39.876	1063,7	5L			
			1.125	28,58	39.750	1060,4	5L			
			1.188	30,18	39.624	1057,2	5L			
1.250	31,75	39.500	1054,1	5L						
46"	46.000	1168,0	0.344	8,74	45.312	1150,5	STD			
			0.375	9,53	45.250	1148,9				
			0.406	10,31	45.188	1147,4				
			0.438	11,13	45.124	1145,7				
			0.459	11,91	45.082	1144,2				
			0.500	12,70	45.000	1142,6				
			0.562	14,27	44.876	1139,5				
			0.625	15,88	44.750	1136,2				
			0.688	17,48	44.624	1133,0				
			0.750	19,05	44.500	1129,9				
			0.812	20,62	44.376	1126,8				
			0.875	22,23	44.250	1123,5				
			0.938	23,83	44.124	1120,3				
			1.000	25,40	44.000	1117,2				
			1.062	26,97	43.876	1114,1				
			1.125	28,58	43.750	1110,8				
			1.188	30,18	43.624	1107,6				
1.250	31,75	43.500	1104,5							
48"	48.000	1219,0	0.344	8,74	47.312	1201,5	STD			
			0.375	9,53	47.250	1199,9				
			0.406	10,31	47.188	1198,4				
			0.438	11,13	47.124	1196,7				
			0.469	11,91	47.062	1195,2				
			0.500	12,70	47.000	1193,6				
			0.562	14,27	46.876	1190,5				
			0.625	15,88	46.750	1187,2				
			0.688	17,48	46.624	1184,0				
			0.750	19,05	46.500	1180,9				
			0.812	20,62	46.376	1177,8				
			0.875	22,23	46.250	1174,5				
			0.938	23,83	46.124	1171,3				
			1.000	25,40	46.000	1168,2				
			1.062	26,97	45.876	1165,1				
			1.125	28,58	45.750	1161,8				
			1.188	30,18	45.624	1158,6				
1.250	31,75	45.500	1155,5							

DIMENSIONS OF WELDED AND SEAMLESS STEEL PIPE

ASME B 36.10 / 36.19

Nominal Pipe Size DN in.	Outside Diameter		Wall Thickness		Inside Diameter		Identification			Stainless
	in.	mm	in.	mm	in.	mm	API Standard	Std. XS;XXS	Schedule Nr.	
52"	52,000	1321,0	0.375	9,53	51.250	1301,9				
			0.406	10,31	51.188	1300,4				
			0.438	11,13	51.124	1298,7				
			0.469	11,91	51.062	1297,2				
			0.500	12,70	51.000	1295,6				
			0.562	14,27	50.876	1292,5				
			0.625	15,88	50.750	1289,2				
			0.688	17,48	50.624	1286,0				
			0.750	19,05	50.500	1282,9				
			0.812	20,62	50.376	1279,8				
			0.875	22,23	50.250	1276,5				
			0.938	23,83	50.124	1273,3				
			1.000	25,40	50.000	1270,2				
			1.062	26,97	49.876	1267,1				
			1.125	28,58	49.750	1263,8				
			1.188	30,18	49.624	1260,6				
			1.250	31,75	49.500	1257,5				
56"	56.000	1422,0	0.375	9,53	55.250	1402,9				
			0.406	10,31	55.188	1401,4				
			0.438	11,13	55.124	1399,7				
			0.469	11,91	55.062	1398,2				
			0.500	12,70	55.000	1396,6				
			0.562	14,27	54.876	1393,5				
			0.625	15,88	54.750	1390,2				
			0.688	17,48	54.624	1387,0				
			0.750	19,05	54.500	1383,9				
			0.812	20,62	54.376	1380,8				
			0.875	22,23	54.250	1377,5				
			0.938	23,83	54.124	1374,3				
			1.000	25,40	54.000	1371,2				
			1.062	26,97	53.876	1368,1				
			1.125	28,58	53.750	1364,8				
			1.188	30,18	53.624	1361,6				
			1.250	31,75	53.500	1358,5				
60"	60.000	1524,0	0.375	9,53	59.250	1504,9				
			0.406	10,31	59.188	1503,4				
			0.438	11,13	59.124	1501,7				
			0.469	11,91	59.062	1500,2				
			0.500	12,70	59.000	1498,6				
			0.562	14,27	58.876	1495,5				
			0.625	15,88	58.750	1492,2				
			0.688	17,48	58.624	1489,0				
			0.750	19,05	58.500	1485,9				
			0.812	20,62	58.376	1482,8				
			0.875	22,23	58.250	1479,5				
			0.938	23,83	58.124	1476,3				
			1.000	25,40	58.000	1473,2				
			1.062	26,97	57.876	1470,1				
			1.125	28,58	57.750	1466,8				
			1.188	30,18	57.624	1463,6				
			1.250	31,75	57.500	1460,5				





RING JOINT FACINGS

ASME B 16.5

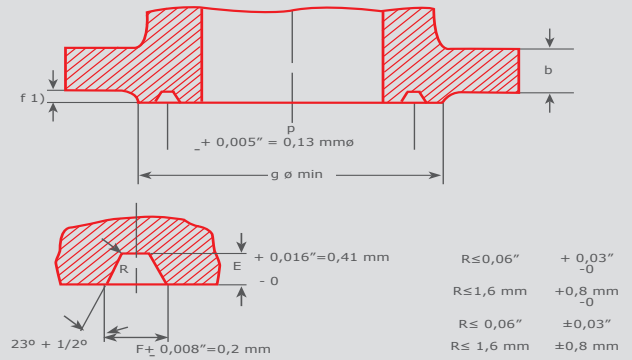
Nominal Size DN							Ring Number	Groove Dimensions in./ mm				Diameter Raised Face in./ mm						
150 lb/sq. in.	300 lb/sq. in.	400 lb/sq. in.	600 lb/sq. in.	900 lb/sq. in.	1500 lb/sq. in.	2500 lb/sq. in.		Pitch Diameter	Depth	Width	Radius a Bottom	150 lb/sq. in.	300 lb/sq. in.	400 lb/sq. in.	600 lb/sq. in.	900 lb/sq. in.	1500 lb/sq. in.	2500 lb/sq. in.
								p	E	F	R	g						
	1/2"		1/2"				R11	1,344 34,1	0,219 5,6	0,281 7,1	0,03 0,8		2,00 50,8					
				1/2"			R12	1,562 39,7	0,250 6,4	0,344 8,7	0,03 0,8					2,38 60,5		
	3/4"		3/4"		1/2"		R13	1,688 42,9	0,250 6,4	0,344 8,7	0,03 0,8	2,50 63,5					2,56 65,0	
				3/4"			R14	1,750 44,5	0,250 6,4	0,344 8,7	0,03 0,8					2,62 66,5		
1"							R15	1,875 47,6	0,250 6,4	0,344 8,7	0,03 0,8	2,50 63,5						
	1"		1"		1"	3/4"	R16	2,000 50,8	0,250 6,4	0,344 8,7	0,03 0,8	2,75 69,9				2,81 71,4	2,88 73,2	
1 1/4"							R17	2,250 57,2	0,250 6,4	0,344 8,7	0,03 0,8	2,88 73,2						
	1 1/4"		1 1/4"		1"		R18	2,375 60,3	0,250 6,4	0,344 8,7	0,03 0,8	3,12 79,2				3,19 81,0	3,25 82,6	
1 1/2"							R19	2,562 65,1	0,250 6,4	0,344 8,7	0,03 0,8	3,25 82,5						
	1 1/2"		1 1/2"		1 1/2"		R20	2,688 68,3	0,250 6,4	0,344 8,7	0,03 0,8	3,55 90,4				3,62 91,9		
					1 1/4"		R21	2,844 72,2	0,312 7,9	0,469 11,9	0,03 0,8						4,00 101,6	
2"							R22	3,250 82,6	0,250 6,4	0,344 8,7	0,03 0,8	4,00 101,6						
	2"		2"		1 1/2"		R23	3,250 82,6	0,312 7,9	0,469 11,9	0,03 0,8	4,25 108,0					4,50 114,3	
					2"		R24	3,750 95,3	0,312 7,9	0,469 11,9	0,03 0,8					4,88 124,0		
2 1/2"							R25	4,000 101,6	0,250 6,4	0,344 8,7	0,03 0,8	4,75 120,7						
	2 1/2"		2 1/2"		2"		R26	4,000 101,6	0,312 7,9	0,469 11,9	0,03 0,8	5,00 127,0					5,25 133,4	
					2 1/2"		R27	4,250 108,0	0,312 7,9	0,469 11,9	0,03 0,8					5,38 136,7		
					2 1/2"		R28	4,375 111,1	0,375 9,5	0,531 13,5	0,06 1,5						5,88 149,4	

For sizes 1/2" to 3 1/2" data for 600 lb to be used.

For sizes 1/2" to 2 1/2" data for 1500 lb to be used.

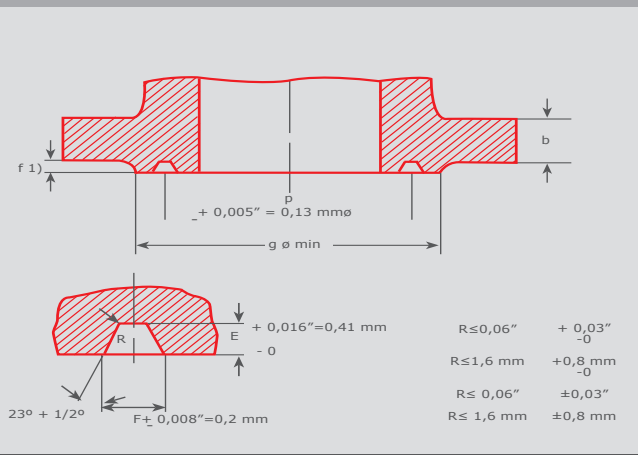
RING JOINT FACINGS

ASME B 16.5



Nominal Size DN							Ring Number	Groove Dimensions in./ mm				Diameter of Raised Face in./ mm					
150 lb/sq. in.	300 lb/sq. in.	400 lb/sq. in.	600 lb/sq. in.	900 lb/sq. in.	1500 lb/sq. in.	2500 lb/sq. in.		Pitch Diameter p	Depth E	Width F	Radius at Bottom R	150 lb/sq. in.	300 400 600 lb/sq. in.	900 lb/sq. in.	1500 lb/sq. in.	2500 lb/sq. in.	
3"		For sizes 1/2" to 3 1/2" data for 600 lb to be used.					R29	4,500 114,3	0,250 6,4	0,344 8,7	0,03 0,8	5,25 133,4					
	*)		*)				R30	4,625 117,5	0,312 7,9	0,469 11,9	0,03 0,8						
	*)3"		*)3"	3"			R31	4,875 123,8	0,312 7,9	0,469 1,9	0,03 0,8		5,75 146,1	6,12 155,4			
						3"	R32	5,000 127,0	0,375 9,5	0,531 13,5	0,06 1,5						6,62 168,1
3 1/2"							R33	5,188 131,8	0,250 I 6,4	0,344 8,7	0,03 0,8	6,06 153,9					
	3 1/2"		3 1/2"			R34	5,188 131,8	0,312 7,9	0,469 11,9	0,03 0,8		6,25 158,8					
				3"		R35	5,375 136,5	0,312 7,9	0,469 11,9	0,03 0,8				6,62 168,1			
4"						R36	5,875 149,2	0,250 6,4	0,344 8,7	0,03 0,8	6,75 171,5						
	4"	4"	4"	4"		R37	5,875 149,2	0,312 7,9	0,469 11,9	0,03 0,8		6,88 174,8	7,12 180,8				
					4"	R38	6,188 157,2	0,438 11,1	0,656 16,7	0,06 1,5						8,00 203,2	
				4"		R39	6,375 161,9	0,312 7,9	0,469 I 11,9	0,03 0,8				7,62 193,5			
5"						R40	6,750 171,5	0,250 6,4	0,344 8,7	0,03 0,8	7,62 193,5						
	5"	5"	5"	5"		R41	7,125 181,0	0,312 7,9	0,469 11,9	0,03 0,8		8,25 209,5	8,50 215,9				
					5"	R42	7,500 190,5	0,500 22..	0,781 19,8	0,06 1,5						9,50 241,3	
6"						R43	7,625 193,7	0,250 6,4	0,344 8,7	0,03 0,8	8,62 218,9						
				5"		R44	7,625 193,7	0,312 7,9	0,469 I 11,9	0,03 0,8				9,00 228,6			
	6"	6"	6"	6"		R45	8,312 211,1	0,312 7,9	0,469 11,9	0,03 0,8		9,50 241,3	9,50 241,3				

*) For ring joint with lapped flanges in the 300 and 600 lb standards ring and groove number R30 are used instead of R31.



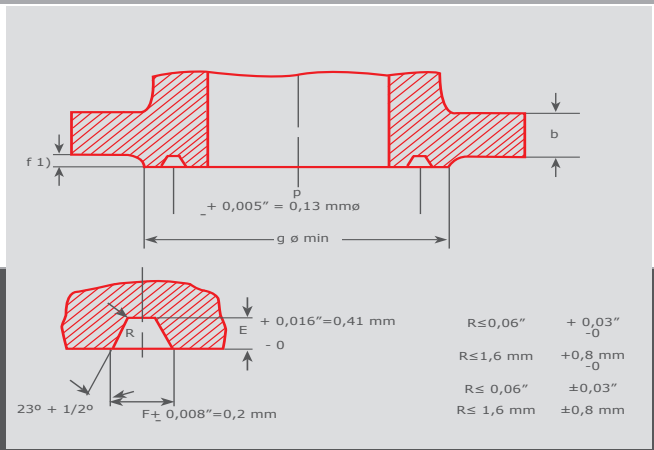
RING JOINT FACINGS

ASME B 16.5

Nominal Size DN							Ring Number p	Groove Dimensions in./mm				Diameter of Raised Face in./ mm g				
150 lb/sq. I in.	300 b/sq. in.	400 lb/sq. in.	600 lb/sq. in.	900 lb/sq. in.	1500 lb/sq. in.	2500 lb/sq. in.		Pitch Diameter E	Depth F	Width R	Radius at Bottom	150 lb/sq. in.	300 400 600 lb/sq. in.	900 lb/sq. in.	1500 lb/sq. in.	2500 lb/sq. in.
					6"		R46	8,312 211,1	0,375 9,5	10,531 13,5	0,06 1,5			9,75 247,7		
						6"	R47	9,000 228,6	0,500 12,7	0,781 19,8	0,06 1,5				11,00 279,4	
8"							R48	9,750 247,7	0,250 6,4	0,344 8,7	0,03 0,8	10,75 273,1				
	8"	8"	8"	8"			R49	10,625 269,9	10,312 7,9	0,469 11,9	0,03 0,8		11,88 301,8	12,12 307,8		
					8"		R50	10,625 269,9	0,438 11,1	0,656 16,7	0,06 1,5				12,50 317,5	
						8"	R51	11,000 279,4	0,562 14,3	0,906 23,0	0,06 1,5				13,38 339,9	
10"							R52	12,000 304,8	0,250 6,4	0,344 8,7	0,03 0,8	13,00 330,2				
	10"	10"	10"	10"			R53	12,750 323,9	0,312 7,9	0,469 11,9	0,03 0,8		14,00 355,6	14,25 362,0		
					10"		R54	12,750 323,9	0,438 11,1	0,656 16,7	0,06 1,5				14,62 371,3	
						10"	R55	13,500 342,9	0,688 17,5	1,188 30,2	0,09 2,3				16,75 425,5	
12"							R56	15,000 381,0	10,250 6,4	0,344 8,7	0,03 0,8	16,00 406,4				
	12"	12"	12"	12"			R57	15,000 381,0	0,312 7,9	0,469 11,9	0,03 0,8		16,25 412,8	16,50 419,1		
					12"		R58	15,000 381,0	0,562 14,3	0,906 23,0	0,06 1,5				17,25 438,2	
14"							R59	15,625 396,9	0,250 6,4	0,344 8,7	0,03 0,8	16,75 425,5				
						12"	R60	16,000 406,4	0,688 17,5	1,312 33,3	0,09 2,3				19,50 495,3	
	14"	14"	14"				R61	16,500 419,1	0,312 7,9	0,469 11,9	0,03 0,8		18,00 457,2			
				14"			R62	16,500 419,1	10,438 11,1	0,656 16,7	0,06 1,5			18,38 466,9		
					14"		R63	16,500 419,1	0,625 15,9	1,062 27,0	0,09 2,3				19,25 489,0	

RING JOINT FACINGS

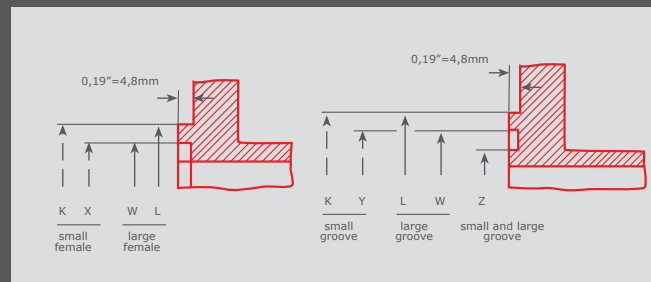
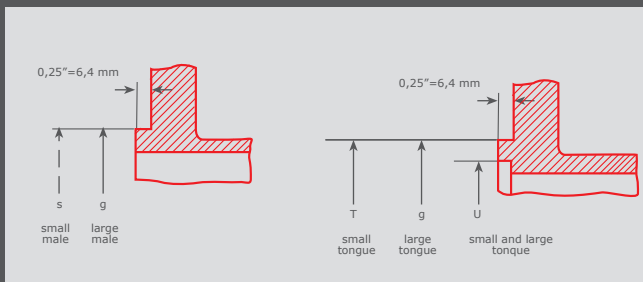
ASME B 16.5



Nominal Size DN							Ring Num- ber	Groove Dimensions in./mm				Diameter of Raised Face in./ mm g				
150 lb/sq. in.	300 lb/sq. in.	400 lb/sq. in.	600 lb/sq. in.	900 lb/sq. in.	1500 lb/sq. in.	2500 lb/sq. in.		Pitch Dia- meter p	Depth Tiefe E	Width Breite F	Radius at Bottom R	150 lb/sq. in.	300 400 600 lb/sq. in.	900 lb/sq. in.	1500 lb/sq. in.	2500 lb/sq. in.
16"							R64	17,875 454,0	0,250 6,4	0,344 8,7	0,03 0,8	19,00 482,6				
	16"	16"	16"				R65	18,500 469,9	0,312 7,9	0,469 11,9	0,03 0,8		20,00 508,0			
				16"			R66	18,500 469,9	0,438 11,1	0,656 16,7	0,06 1,5			20,62 523,7		
					16"		R67	18,500 469,9	0,688 17,5	1,188 30,2	0,09 2,3				21,50 546,1	
18"							R68	20,375 517,5	0,250 6,4	0,344 8,7	0,03 0,8	21,50 546,1				
	18"	18"	18"				R69	21,000 533,4	0,312 7,9	0,469 11,9	0,03 0,8		22,62 574,5			
				18"			R70	21,000 533,4	0,500 12,7	0,781 19,8	0,06 1,5			23,38 593,9		
					18"		R71	21,000 533,4	0,688 17,5	1,188 30,2	0,09 2,3				24,12 612,6	
20"							R72	22,000 558,8	0,250 6,4	0,344 8,7	0,03 0,8	123,50 596,9				
	20"	20"	20"				R73	23,000 584,2	0,375 9,5	0,531 13,5	0,06 1,5		25,00 635,Q			
				20"			R74	23,000 584,2	0,500 12,7	0,781 19,8	0,06 1,5			25,50 647,7		
					20"		R75	23,000 584,2	0,688 17,5	1,312 33,3	0,09 2,3				26,50 673,1	
24"							R76	26,500 673,1	0,250 6,4	0,344 8,7	0,03 0,8	28,00 711,2				
	24"	24"	24"				R77	27,250 692,2	0,438 11,1	0,656 16,7	0,06 1,5		29,50 749,3			
				24"			R78	27,250 692,2	0,625 15,9	1,062 27,0	0,09 2,3			30,38 771,7		
					24"		R79	27,250 692,2	0,812 20,6	1,438 36,5	0,09 2,3				31,25 793,8	

LARGE AND SMALL MALE / FEMALE FACINGS LARGE AND SMALL TONGUE / GROOVE FACINGS 150 - 2500 LB/SQ. IN.

ASME B 16.5

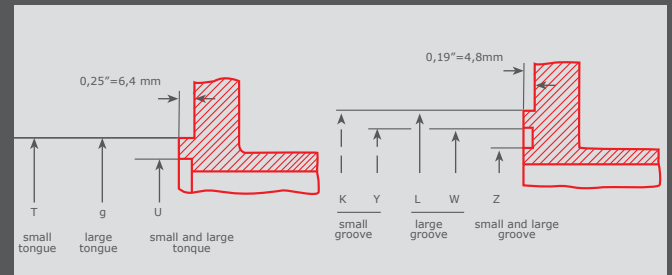
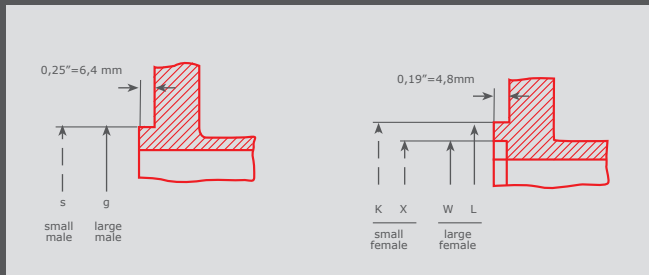


Nom. Pipe Size DN	Outside Diameter in/ mm			Inside Dia. of Large and Small Tongue in/mm	Outside Diameter in./ mm			Inside Dia. of Large and Small Groove in./ mm	Diameter of Raised Face min. in./ mm	
	Large Male and Large Tongue	Small Male	Small tongue		Large Female and Large Groove	Small Female	Small Groove		Small Female and Groove	Large Female and Groove
	g	s	T	U	W	X	Y	Z	K	L
1/2"	1,38 35,1	0,72 18,3	1,38 35,1	1,00 25,4	1,44 36,6	0,78 19,8	1,44 36,6	0,94 23,9	1,75 44,5	1,81 46,0
3/4"	1,69 42,9	0,941 23,9	1,69 42,9	1,31 33,3	1,75 44,5	1,00 25,4	1,75 44,5	1,25 31,8	2,06 52,3	2,12 53,8
1"	2,00 50,8	1,19 30,2	1,88 47,8	1,50 38,1	2,06 52,3	1,25 31,8	1,94 49,3	1,44 36,6	2,25 57,2	2,44 62,0
1 1/4"	2,50 63,5	1,50 38,1	2,25 57,2	1,88 47,8	2,56 65,0	1,56 39,6	2,31 58,7	1,81 46,0	2,62 66,5	2,94 74,7
1 1/2"	2,88 73,2	1,75 44,5	2,50 63,5	2,12 53,8	2,94 74,7	1,81 46,0	2,56 65,0	2,06 52,3	2,88 73,2	3,31 84,1
2"	3,62 91,9	2,25 57,2	3,25 82,6	2,88 73,2	3,69 93,7	2,31 58,7	3,31 84,1	2,81 71,4	3,62 91,9	4,06 103,1
2 1/2"	4,12 104,6	2,69 68,3	3,75 95,3	3,38 85,9	4,19 106,4	2,75 69,9	3,81 96,8	3,31 84,1	4,12 104,6	4,56 115,8
3"	5,00 127,0	3,31 84,1	4,62 117,3	4,25 108,0	5,06 128,5	3,38 85,9	4,69 119,1	4,19 106,4	5,00 127,0	5,44 138,2
3 1/2"	5,50 139,7	3,81 96,8	5,12 130,0	4,75 120,7	5,56 141,2	3,88 98,6	5,19 131,8	4,69 119,1	5,50 139,7	5,94 150,9
4"	6,19 157,2	4,31 109,5	5,69 144,5	5,19 131,8	6,25 158,8	4,38 111,3	5,75 146,1	5,12 130,0	6,19 157,2	6,62 168,1

Large male and female face and large tongue and groove are not applicable to Class 150 because of potential dimensional conflicts.

LARGE AND SMALL MALE / FEMALE FACINGS LARGE AND SMALL TONGUE / GROOVE FACINGS 150 - 2500 LB/SQ. IN.

ASME B 16.5

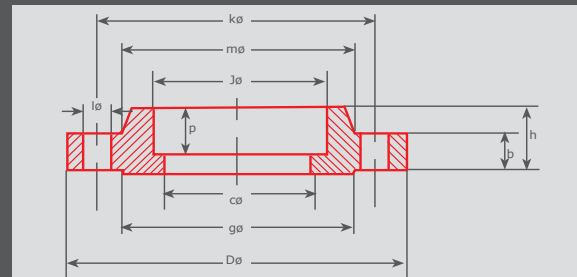
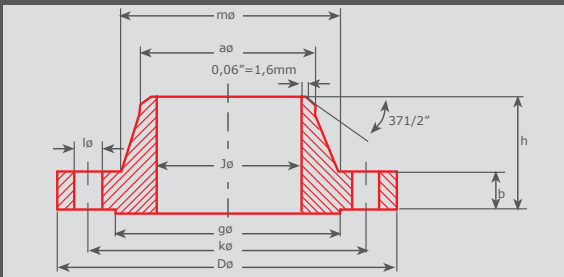


Nom. Pipe Size ON	Outside Diameter in./ mm			Inside Dia. of Large and Small Tongue in./ mm	Outside Diameter in./ mm			Inside Dia. of Large and Small Groove in./ mm	Diameter of Raised Face min. in./ mm	
	Large Male and Large Tongue	Small Male	Small Tongue		Large Female and Large Groove	Small Female	Small Groove		Small Female and Groove	Large Female and Groove
5"	7,31 185,7	5,38 136,7	6,81 173,0	6,31 160,3	7,38 187,5	5,44 138,2	6,88 174,8	6,25 158,8	7,31 185,7	7,75 196,9
6"	8,50 215,9	6,38 162,1	8,00 203,2	7,50 190,5	8,56 217,4	6,44 163,6	8,06 204,7	7,44 189,0	8,50 215,9	8,94 227,1
8"	10,62 269,7	8,38 212,9	10,00 254,0	9,38 238,3	10,69 271,5	8,44 214,4	10,06 255,5	9,31 236,5	10,62 269,7	11,06 280,9
10"	12,75 323,9	10,50 266,7	12,00 304,8	11,25 285,8	12,81 325,4	10,56 268,3	12,06 306,3	11,19 284,2	12,75 323,9	13,19 335,0
12"	15,00 381,0	12,50 317,5	14,25 362,0	13,50 342,9	15,06 382,5	12,56 319,0	14,31 363,5	13,44 341,4	15,00 381,0	15,44 392,2
14"	16,25 412,8	13,75 349,3	15,50 393,7	14,75 374,7	16,31 414,3	13,81 350,8	15,56 395,2	14,69 373,1	16,25 412,8	16,69 423,9
16"	18,50 469,9	15,75 400,1	17,62 447,5	16,75 425,5	18,56 471,4	15,81 401,6	17,69 449,3	16,69 423,9	18,50 469,9	18,94 481,1
18"	21,00 533,4	17,75 450,9	20,12 511,0	19,25 489,0	21,06 534,9	17,81 452,4	20,19 512,8	19,19 487,4	21,00 533,4	21,44 544,6
20"	23,00 584,2	19,75 501,7	22,00 558,8	21,00 533,4	23,06 585,7	19,81 503,2	22,06 560,3	20,94 531,9	23,00 584,2	23,44 595,4
24"	27,25 692,2	23,75 603,3	26,25 666,8	25,25 641,4	27,31 693,7	23,81 604,8	26,31 668,3	25,19 639,8	27,25 692,2	27,69 703,3

Large male and female face and large tongue and groove are not applicable to Class 150 because of potential dimensional conflicts.

DIMENSIONAL TOLERANCES WELDING NECK FLANGES / SOCKED WELDING FLANGES

ASME B 16.5



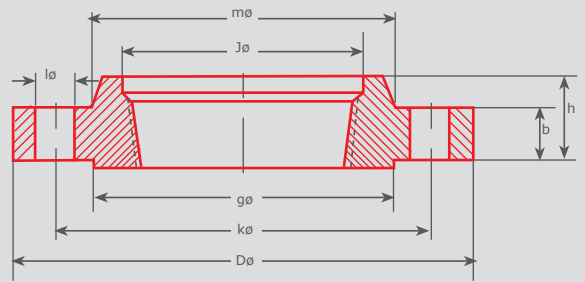
D	Outside Diameter 1)	When OD is 24" or less When OD is over 24"	± 0,06" ± 0,12" ± 1,6 mm ± 3,2 mm
J,c	Inside Diameter 2)	10" and smaller 12" to 18" 20" and larger	+0,03" +0,06" +0,12" - 0,06" +0,8 mm + 1,6 mm +3,2 mm - 1,6 mm
g	Diameter of Contact Face	0.06" Raised Face 0.25" Raised Face Tongue and Groove. Male and Female	± 0,03" ± 0,02" ± 0,02" ± 0,8 mm ± 0,5 mm ± 0,5 mm
a	Diameter of Hub at Point of Welding 2)	5" and smaller 6" and larger	+0,09" - 0,03" +0,16" - 0,03" +2,4 mm - 0,8 mm +4,0 mm - 0,8 mm
m	Diameter of Hub at Base 1)	When Hub Base is 24" or less When Hub Base is over 24"	± 0,06" ± 0,12" ± 1,6 mm ± 3,2 mm
I	Drilling and Facing	Bolt Circle Diameter k Center-to-center of adjacent bolt holes Max. eccentricity between bolt circle dia. k and machined facing diameters: sizes 2 1/2" and smaller sizes 3" and larger	± 0,06" ± 0,03" 0.03" 0.06" ± 1,6 mm ± 0,8 mm 0.8mm 1.6 mm
h	Overall Length through Hub	4" and smaller 5" to 10" 12" and larger	± 0,06" +0,06", -0,12" +0,12", -0,18" ± 1,6mm + 1,6 mm, -3,2 mm +3,2mm, -4,6mm
b	Thickness	18" and smaller 20" and larger	+0,12" +0,19" +3,2 mm +4,8 mm

1) This tolerance is not covered by ASME B 16.5

2) Regardless of the tolerances of the dimensions J and a, the wall thickness shall not be less than 87,5 % of the nominal wall thickness.

DIMENSIONAL TOLERANCES

LAP JOINT, SLIP-ON, THREADED AND BLIND FLANGES



ASME B 16.5

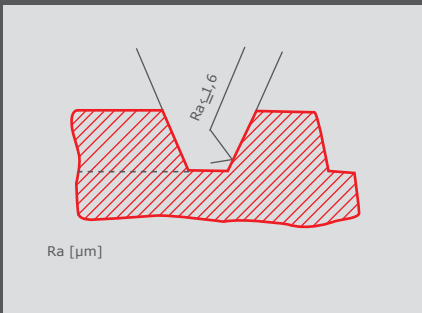
D Outside Diameter 1)	When OD is 24" or less When OD is over 24"	± 0,06" ± 0,12" ± 1,6 mm ± 3,2 mm
J Inside Diameter	Slip-on and Lap Joint 10" and smaller 12" and larger Threaded	+ 0,03" + 0,06" Within limits on boring gauge + 0,8 mm + 1,6mm
Diameter of Counterbore	Same as for Inside Diameter	
g Diameter of Contact Face	0,06" Raised Face 0,25" Raised Face Tongue and Groove, Male and Female	± 0,03" ± 0,02" ± 0,02" ± 0,8 mm ± 0,5 mm ± 0,5 mm
m Outside Diameter of Hub 1)	12" and smaller 14" and larger	+ 0,09" - 0,06" ± 0,12" + 2,4 mm - 1,6 mm ± 3,2 mm
I Drilling and Facing	Bolt Circle Diameter k Center-to-center of adjacent bolt holes Max. eccentricity between bolt circle dia. and machined facing diameters: sizes 2 1/2" and smaller sizes 3" and larger	± 0,06" ± 0,03" 0,03" 0,06" ± 1,6 mm ± 0,8 mm 0,8 mm 1,6 mm
h Overall Length of Hub 1)	18" and smaller 20" and larger	+0,12" - 0,03" +0,19" - 0,03" +3,2 mm - 0,8 mm +4,8 mm - 1,6 mm
b Thickness	18" and smaller 20" and larger	+0,12" +0,19" +3,2 mm +4,8 mm

1) Tolerances are not covered by ASME B 16.5

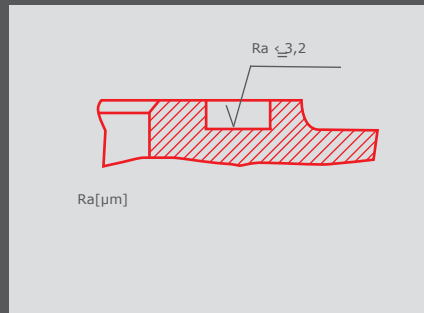
FACINGS

Facing is made by mechanical turning, resulting the following surface conditions:

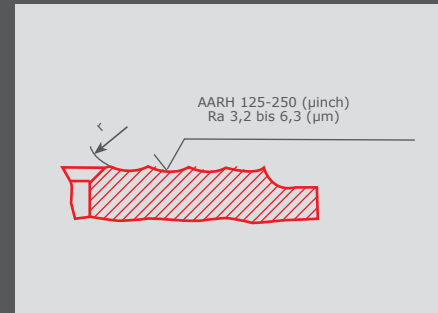
Ring Joint Facings



Tongue/Groove Small Male/Female Facings



Raised Face Large Male / Female Facings



Facings in other design on enquiry

r - 0,06- or larger

0,45 - 0,57 mm/U

Feet rate

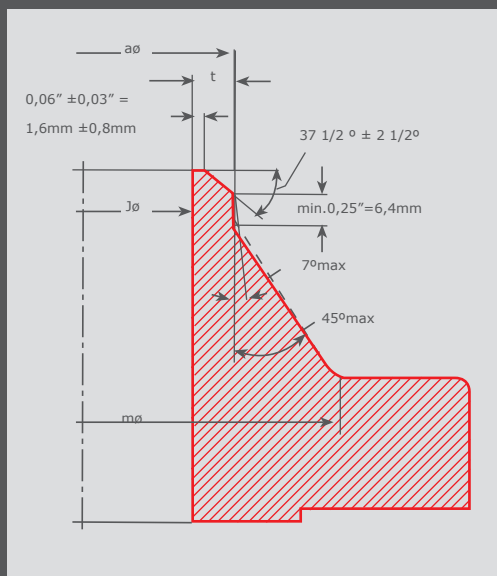
per revolution: 0,018 - 0,023 in/rev.

WELDING ENDS

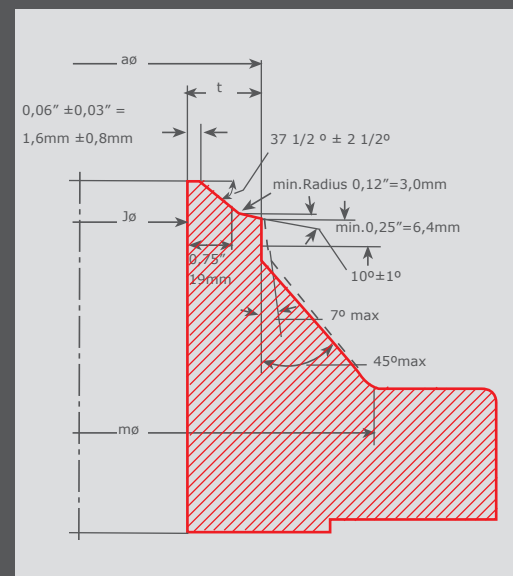
a = Outside diameter of pipe

J = Inside diameter of pipe

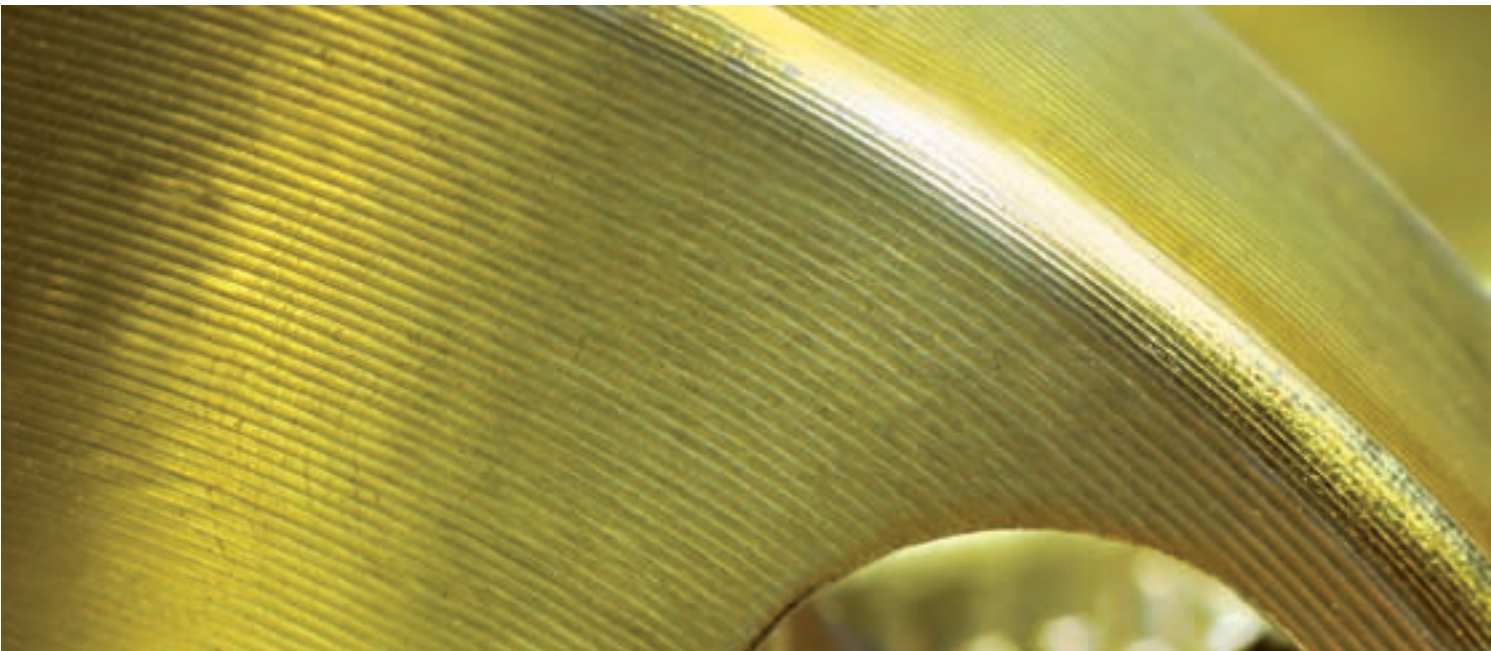
t = Wall thickness of pipe



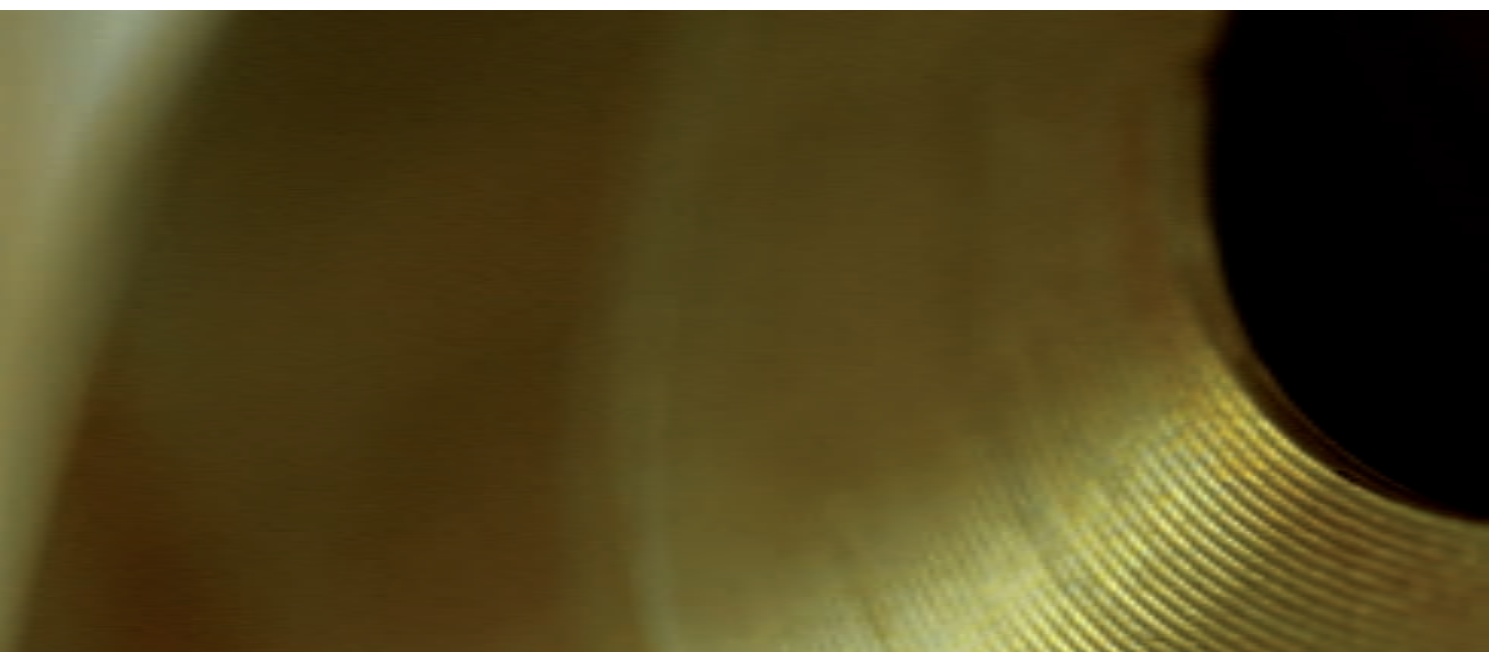
Bevel for Wall Thicknesses (t) 0,19" to 0,88" inclusive



Bevel for Wall Thicknesses (t) greater than 0,88"



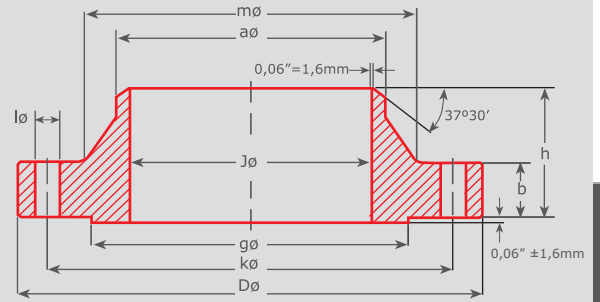
WELDING NECK FLANGES ACC. TO ASME B 16.5



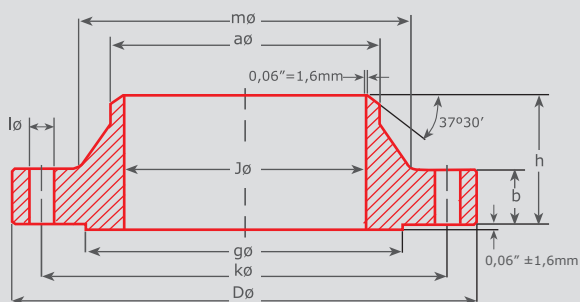
150 LB/SQ. IN.

WELDING NECK FLANGES

ASME B 16.5



Pipe		Flange				Hub	Raised Face	Drilling Template			Approx Weight	
Nom. Size DN	OD in. mm	D in. mm	J in. mm	b in. mm	h in. mm	a in. mm	m in. mm	g in. mm	Number	I in. mm	k in. mm	Kilo
1/2"	0,84 21,3	3,50 88,9	0,62 15,7	0,38 9,6	1,82 46,2	0,84 21,3	1,19 30,2	1,38 35,1	4	0,62 15,7	2,38 60,5	0,48
3/4"	1,05 26,7	3,88 98,6	0,82 20,8	0,44 11,1	2 50,7	1,05 26,7	1,50 38,1	1,69 42,9	4	0,62 15,7	2,75 69,9	0,71
1"	1,315 33,4	4,25 108,0	1,05 26,7	0,5 12,6	2,13 54	1,315 33,4	1,94 49,3	2,00 50,8	4	0,62 15,7	3,12 79,2	1,01
1 1/4"	1,66 42,2	4,62 117,3	1,38 35,1	0,56 14,1	2,19 55,6	1,66 42,2	2,31 58,7	2,50 63,5	4	0,62 15,7	3,50 88,9	1,33
1 1/2"	1,90 48,3	5,00 127,0	1,61 40,9	0,63 15,9	2,38 60,4	1,90 48,3	2,56 65,0	2,88 73,2	4	0,62 15,7	3,88 98,6	1,72
2"	2,375 60,3	6,00 152,4	2,07 52,6	0,69 17,5	2,44 61,9	2,375 60,3	3,06 77,7	3,62 91,9	4	0,75 19,1	4,75 120,7	2,58
2 1/2"	2,875 73,0	7,00 177,8	2,47 62,7	0,82 20,8	2,69 68,3	2,875 73,0	3,56 90,4	4,12 104,6	4	0,75 19,1	5,50 139,7	4,11
3"	3,50 88,9	7,50 190,5	3,07 78,0	0,88 22,3	2,69 68,3	3,50 88,9	4,25 108,0	5,00 127,0	4	0,75 19,1	6,00 152,4	4,92
3 1/2"	4,00 101,6	8,50 215,9	3,55 90,2	0,88 22,3	2,75 69,8	4,00 101,6	4,81 122,2	5,50 139,7	8	0,75 19,1	7,00 177,8	6,08
4"	4,50 114,3	9,00 228,6	4,03 102,4	0,88 22,3	2,94 74,6	4,50 114,3	5,31 134,9	6,19 157,2	8	0,75 19,1	7,50 190,5	6,84
5"	5,563 141,3	10,00 254,0	5,05 128,3	0,88 22,3	3,44 87,3	5,563 141,3	6,44 163,6	7,31 185,7	8	0,88 22,4	8,50 215,9	8,56
6"	6,625 168,3	11,00 279,4	6,07 154,2	0,94 23,8	3,44 87,3	6,625 168,3	7,56 192,0	8,50 215,9	8	0,88 22,4	9,50 241,3	10,6
8"	8,625 219,1	13,50 342,9	7,98 202,7	1,06 26,8	3,94 100	8,625 219,1	9,69 246,1	10,62 269,7	8	0,88 22,4	11,75 298,5	17,6
10"	10,75 273	16,00 406,4	10,02 254,5	1,13 28,6	3,94 100	10,75 273	12,00 304,8	12,75 323,9	12	1,00 25,4	14,25 362,0	24,0
12"	12,75 323,8	19,00 482,6	12,00 304,8	1,19 30,2	4,44 112,7	12,75 323,8	14,38 365,3	15,00 381,0	12	1,00 25,4	17,00 431,8	36,5
14"	14,0 355,6	21,00 533,4	To be specified by the purchaser	1,32 33,5	4,94 125,4	14,0 355,6	15,75 400,1	16,25 412,8	12	1,12 28,4	18,75 476,3	48,4
16"	16,0 406,4	23,50 596,9		1,38 35	4,94 125,4	16,0 406,4	18,00 457,2	18,50 469,9	16	1,12 28,4	21,25 539,8	60,6
18"	18,0 457,2	25,00 635,0		1,5 38	5,44 138,1	18,0 457,2	19,88 505,0	21,00 533,4	16	1,25 31,8	22,75 577,9	68,3
20"	20,0 508	27,50 698,5		1,63 41,3	5,63 142,9	20,0 508	22,00 558,8	23,00 584,2	20	1,25 31,8	25,00 635,0	84,5
24"	24,0 609,6	32,00 812,8		1,82 46,2	5,94 150,8	24,0 609,6	26,12 663,4	27,25 692,2	20	1,38 35,1	29,50 749,3	115



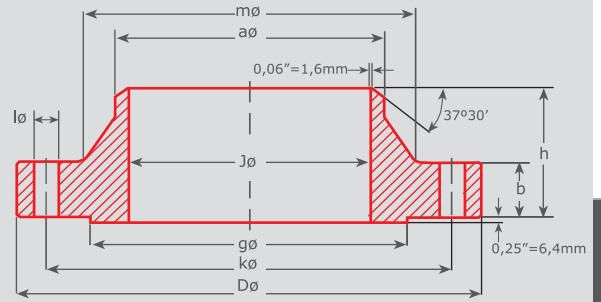
300 LB/SQ. IN. WELDING NECK FLANGES

ASME
B 16.5
WELDING
NECK
150
300

ASME B 16.5

Pipe		Flange				Hub		Raised Face	Drilling Template			Approx. Weight
Nom. Size DN	OD in. mm	D in. mm	J in. mm	b in. mm	h in. mm	a in. mm	m in. mm	g in. mm	Number	I in. mm	k in. mm	Kilo
1/2"	0,84 21,3	3,75 95,2	0,62 15,7	0,5 12,6	2 50,7	0,84 21,3	1,50 38,1	1,38 35,0	4	0,62 15,7	2,62 66,5	0,75
3/4"	1,05 26,7	4,62 117,3	0,82 20,8	0,56 14,1	2,19 55,6	1,05 26,7	1,88 47,8	1,69 42,9	4	0,75 19,1	3,25 82,6	1,26
1"	1,315 33,4	4,88 124,0	1,05 26,7	0,63 15,9	2,38 60,4	1,315 33,4	2,12 53,8	2,00 50,8	4	0,75 19,1	3,50 88,9	1,52
1 1/4"	1,66 42,2	5,25 133,4	1,38 35,1	0,69 17,5	2,5 63,4	1,66 42,2	2,50 63,5	2,50 63,5	4	0,75 19,1	3,88 98,6	2,03
1 1/2"	1,90 48,3	6,12 155,4	1,61 40,9	0,75 19	2,63 66,7	1,90 48,3	2,75 69,9	2,88 73,2	4	0,88 22,4	4,50 114,3	2,89
2"	2,375 60,3	6,50 165,1	2,07 52,6	0,82 20,8	2,69 68,3	2,375 60,3	3,31 84,0	3,62 91,9	8	0,75 19,1	5,00 127,0	3,40
2 1/2"	2,875 73,0	7,50 190,5	2,47 62,7	0,94 23,8	2,94 74,6	2,875 73,0	3,94 100,1	4,12 104,6	8	0,88 22,4	5,88 149,4	5,17
3"	3,50 88,9	8,25 209,6	3,07 78,0	1,06 26,8	3,06 77,6	3,50 88,9	4,62 117,3	5,00 127,0	8	0,88 22,4	6,62 168,1	6,93
3 1/2"	4,00 101,6	9,00 228,6	3,55 90,2	1,13 28,6	3,13 79,4	4,00 101,6	5,25 133,4	5,50 139,7	8	0,88 22,4	7,25 184,2	8,67
4"	4,50 114,3	10,00 254,0	4,03 102,4	1,19 30,2	3,32 84,3	4,50 114,3	5,75 146,1	6,19 157,2	8	0,88 22,4	7,88 200,2	11,2
5"	5,563 141,3	11,00 279,4	5,05 128,3	1,32 33,5	3,82 97	5,563 141,3	7,00 177,8	7,31 185,7	8	0,88 22,4	9,25 235,0	15,1
6"	6,625 168,3	12,50 317,5	6,07 154,2	1,38 35	3,82 97	6,625 168,3	8,12 206,2	8,50 215,9	12	0,88 22,4	10,62 269,7	19,1
8"	8,625 219,1	15,00 381,0	7,98 202,7	1,56 39,5	4,32 109,7	8,625 219,1	10,25 260,4	10,62 269,7	12	1,00 25,4	13,00 330,2	29,9
10"	10,75 273	17,50 444,5	10,02 254,5	1,82 46,2	4,56 115,7	10,75 273	12,62 320,5	12,75 323,9	16	1,12 28,4	15,25 387,4	42,7
12"	12,75 323,8	20,50 520,7	12,00 304,8	1,94 49,2	5,06 128,4	12,75 323,8	14,75 374,7	15,00 381,0	16	1,25 31,8	17,75 450,9	61,8
14"	14,00 355,6	23,00 584,2	To be specified by the purchaser	2,06 52,2	5,56 141,1	14,00 355,6	16,75 425,5	16,25 412,8	20	1,25 31,8	20,25 514,4	85,8
16"	16,00 406,4	25,50 647,7		2,19 55,6	5,69 144,5	16,00 406,4	19,00 482,6	18,50 469,9	20	1,38 35,1	22,50 571,5	106
18"	18,00 457,2	28,00 711,2		2,32 58,9	6,19 157,2	18,00 457,2	21,00 533,4	21,00 533,4	24	1,38 35,1	24,75 628,7	131
20"	20,00 508	30,50 774,7		2,44 61,9	6,32 160,5	20,00 508	23,12 587,2	23,00 584,2	24	1,38 35,1	27,00 685,8	158
24"	24,00 609,6	36,00 914,4		2,69 68,2	6,56 166,5	24,00 609,6	27,62 701,5	27,25 692,2	24	1,62 41,1	32,00 812,8	230

400 LB/SQ. IN. WELDING NECK FLANGES

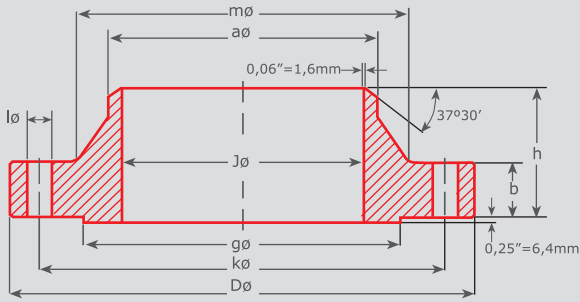


ASME B 16.5

Pipe		Flange				Hub		Raised Face	Drilling Template			Approx. Weight
Nom. Size DN	OD in.	D in. mm	J in. mm	b in. mm	h in. mm	a in. mm	m in. mm	g in. mm	Number	I in. mm	k in. mm	Kilo
1/2"	0,84 21,3											
3/4"	1.05 26,7											
1"	1,315 33,4											
1 1/4"	1,66 42,2											
1 1/2"	1,90 48,3											
2"	2,375 60,3											
2 1/2"	2,875 73,0											
3"	3,50 88,9											
3 1/2"	4,00 101,6											
4"	4,50 114,3	10,00 254,0		1,38 35,1	3,50 88,9	4,50 114,3	5,75 146,1	6,19 157,2	8	1,00 25,4	7,88 200,2	12,8
5"	5,563 141,3	11,00 279,4		1,50 38,1	4,00 101,6	5,563 141,3	7,00 177,8	7,31 185,7	8	1,00 25,4	9,25 235,0	16,9
6"	6,625 168,3	12,50 317,5		1,62 41,1	4,06 103,1	6,625 168,3	8,12 206,2	8,50 215,9	12	1,00 25,4	10,62 269,7	22,0
8"	8,625 219,1	15,00 381,0		1,88 47,8	4,62 117,3	8,625 219,1	10,25 260,4	10,62 269,7	12	1,12 28,4	13,00 330,2	34,7
10"	10,75 273	17,50 444,5		2,12 53,8	4,88 124,0	10,75 273	12,62 320,5	12,75 323,9	16	1,25 31,8	15,25 387,4	48,5
12"	12,75 323,8	20,50 520,7		2,25 57,2	5,38 136,7	12,75 323,8	14,75 374,7	15,00 381,0	16	1,38 35,1	17,75 450,9	69,6
14"	14,0 355,6	23,00 584,2		2,38 60,5	5,88 149,4	14,0 355,6	16,75 425,5	16,25 412,8	20	1,38 35,1	20,25 514,4	95,5
16"	16,0 406,4	25,50 647,7		2,50 63,5	6,00 152,4	16,0 406,4	19,00 482,6	18,50 469,9	20	1,50 38,1	22,50 571,5	118
18"	18,0 457,2	28,00 711,2		2,62 66,5	6,50 165,1	18,0 457,2	21,00 533,4	21,00 533,4	24	1,50 38,1	24,75 628,7	145
20"	20,0 508	30,50 774,7		2,75 69,9	6,62 168,1	20,0 508	23,12 587,2	23,00 584,2	24	1,62 41,1	27,00 685,8	173
24"	24,0 609,6	36,00 914,4		3,00 76,2	6,88 174,8	24,0 609,6	27,62 701,5	27,25 692,2	24	1,88 47,8	32,00 812,8	249

Use 600 lb dimensions for these sizes

To be specified by the purchaser



600 LB/SQ. IN. WELDING NECK FLANGES

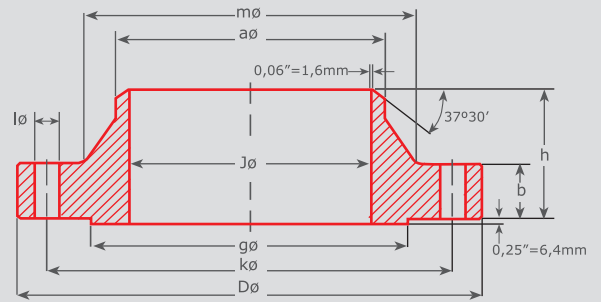
ASME
B 16.5
WELDING
NECK
400
600

ASME B 16.5

Pipe		Flange				Hub		Raised Face	Drilling Template			Approx. Weight
Nom. Size DN	OD in. mm	D in. mm	J in. mm	b in. mm	h in. mm	a in. mm	m in. mm	g in. mm	Number	I in. mm	k in. mm	Kilo
1/2"	0,84 21,3	3,75 95,3	To be specified by the purchaser	0,56 14,2	2,06 52,3	0,84 21,3	1,50 38,1	1,38 35,1	4	0,62 15,7	2,62 66,5	0,87
3/4"	1,05 26,7	4,62 117,3		0,62 15,7	2,25 57,2	1,05 26,7	1,88 47,8	1,69 42,9	4	0,75 19,1	3,25 82,6	1,45
1"	1,315 33,4	4,88 124,0		0,69 17,5	2,44 62,0	1,315 33,4	2,12 53,8	2,00 50,8	4	0,75 19,1	3,50 88,9	1,76
1 1/4"	1,66 42,2	5,25 133,4		0,81 20,6	2,62 66,5	1,66 42,2	2,50 63,5	2,50 63,5	4	0,75 19,1	3,88 98,6	2,49
1 1/2"	1,90 48,3	6,12 155,4		0,88 22,4	2,75 69,9	1,90 48,3	2,75 69,9	2,88 73,2	4	0,88 22,4	4,50 114,3	3,49
2"	2,375 60,3	6,50 165,1		1,00 25,4	2,88 73,2	2,375 60,3	3,31 84,1	3,62 91,9	8	0,75 19,1	5,00 127,0	4,36
2 1/2"	2,875 73,0	7,50 190,5		1,12 28,4	3,12 79,2	2,875 73,0	3,94 100,1	4,12 104,6	8	0,88 22,4	5,88 149,4	6,43
3"	3,50 88,9	8,25 209,6		1,25 31,8	3,25 82,6	3,50 88,9	4,62 117,3	5,00 127,0	8	0,88 22,4	6,62 168,1	8,53
3 1/2"	4,00 101,6	9,00 228,6		1,38 35,1	3,38 85,9	4,00 101,6	5,25 133,4	5,50 139,7	8	1,00 25,4	7,25 184,2	10,7
4"	4,50 114,3	10,75 273,1		1,50 38,1	4,00 101,6	4,50 114,3	6,00 152,4	6,19 157,2	8	1,00 25,4	8,50 215,9	17,4
5"	5,563 141,3	13,00 330,2		1,75 44,5	4,50 114,3	5,563 141,3	7,44 189,0	7,31 185,7	8	1,12 28,4	10,50 266,7	29,2
6"	6,625 168,3	14,00 355,6		1,88 47,8	4,62 117,3	6,625 168,3	8,75 222,3	8,50 215,9	12	1,12 28,4	11,50 292,1	34,9
8"	8,625 219,1	16,50 419,1		2,19 55,6	5,25 133,4	8,625 219,1	10,75 273,1	10,62 269,7	12	1,25 31,8	13,75 349,3	53,9
10"	10,75 273	20,00 508,0		2,50 63,5	6,00 152,4	10,75 273	13,50 342,9	12,75 323,9	16	1,38 35,1	17,00 431,8	86,5
12"	12,75 323,8	22,00 558,8		2,62 66,5	6,12 155,4	12,75 323,8	15,75 400,1	15,00 381,0	20	1,38 35,1	19,25 489,0	103
14"	14,0 355,6	23,75 603,3		2,75 69,9	6,50 165,1	14,0 355,6	17,00 431,8	16,25 412,8	20	1,50 38,1	20,75 527,1	122
16"	16,0 406,4	27,00 685,8		3,00 76,2	7,00 177,8	16,0 406,4	19,50 495,3	18,50 469,9	20	1,62 41,1	23,75 603,3	170
18"	18,0 457,2	29,25 743,0		3,25 82,6	7,25 184,2	18,0 457,2	21,50 546,1	21,00 533,4	20	1,75 44,5	25,75 654,1	204
20"	20,0 508	32,00 812,8		3,50 88,9	7,50 190,5	20,0 508	24,00 609,6	23,00 584,2	24	1,75 44,5	28,50 723,9	254
24"	24,0 609,6	37,00 939,8		4,00 101,6	8,00 203,2	24,0 609,6	28,25 717,6	27,25 692,2	24	2,00 50,8	33,00 838,2	358

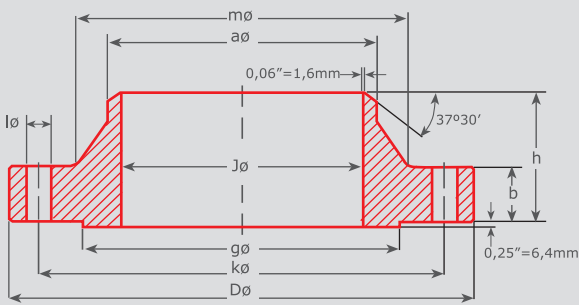
900 LB/SQ. IN. WELDING NECK FLANGES

ASME B 16.5



Pipe		Flange				Hub		Raised Face	Drilling Template			Approx. Weight
Nom. Size DN	OD in. mm	D in. mm	J in. mm	b in. mm	h in. mm	a in. mm	m in. mm	9 in. mm	Number	I in. mm	k in. mm	Kilo
1/2"	0,84 21,3											
3/4"	1,05 26,7											
1"	1,315 33,4											
1 1/4"	1,66 42,2											
1 1/2"	1,90 48,3											
2"	2,375 60,3											
2 1/2"	2,875 73,0											
Use 1500 lb dimensions for these sizes												
3"	3,50 88,9	9,50 241,3		1,50 38,1	4,00 101,6	3,50 88,9	5,00 127,0	5,00 127,0	8	1,00 25,4	7,50 190,5	13,7
4"	4,50 114,3	11,50 292,1		1,75 44,4	4,50 114,3	4,50 114,3	6,25 158,7	6,19 157,2	8	1,25 31,8	9,25 234,9	22,5
5"	5,563 141,3	13,75 349,3		2,00 50,8	5,00 127,0	5,563 141,3	7,50 190,5	7,31 185,7	8	1,38 35,1	11,00 279,4	37,4
6"	6,625 168,3	15,00 381,0		2,19 55,6	5,50 139,7	6,625 168,3	9,25 235,0	8,50 215,9	12	1,25 31,8	12,50 317,5	47,7
8"	8,625 219,1	18,50 469,9		2,50 63,5	6,38 162,1	8,625 219,1	11,75 298,5	10,62 269,7	12	1,50 38,1	15,50 393,7	81,3
10"	10,75 273	21,50 546,1		2,75 69,9	7,25 184,2	10,75 273	14,50 368,3	12,75 323,9	16	1,50 38,1	18,50 469,9	119
12"	12,75 323,8	24,00 609,6		3,12 79,2	7,88 200,2	12,75 323,8	16,50 419,1	15,00 381,0	20	1,50 38,1	21,00 533,4	157
14"	14,0 355,6	25,25 641,4		3,38 85,9	8,38 212,9	14,0 355,6	17,75 450,9	16,25 412,8	20	1,62 41,1	22,00 558,8	180
16"	16,0 406,4	27,75 704,9		3,50 88,9	8,50 215,9	16,0 406,4	20,00 508,0	18,50 469,9	20	1,75 44,5	24,25 616	217
18"	18,0 457,2	31,00 787,4		4,00 101,6	9,00 228,6	18,0 457,2	22,25 565,2	21,00 533,4	20	2,00 50,8	27,00 685,8	292
20"	20,0 508	33,75 857,3		4,25 108	9,75 247,7	20,0 508	24,50 622,3	23,00 584,2	20	2,12 53,8	29,50 749,3	362
24"	24,0 609,6	41,00 1041,4		5,50 139,7	11,50 292,1	24,0 609,6	29,50 749,3	27,25 692,2	20	2,62 66,5	35,50 901,7	665

To be specified by the purchaser



1500 LB/SQ. IN. WELDING NECK FLANGES

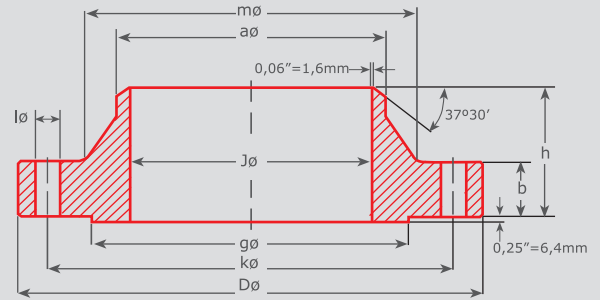
ASME
B 16.5
WELDING
NECK
900
1500

ASME B 16.5

Pipe		Flange				Hub		Raised Face	Drilling Template			Approx. Weight
Nom. Size DN	OD in. mm	D in. mm	J in. mm	b in. mm	h in. mm	a in. mm	m in. mm	g in. mm	Number	I in. mm	k in. mm	Kilo
1/2"	0,84 21,3	4,75 120,7	To be specified by the purchaser	0,88 22,4	2,38 60,5	0,84 21,3	1,50 38,1	1,38 35,1	4	0,88 22,4	3,25 82,6	1,87
3/4"	1,05 26,7	5,12 130,0		1,00 25,4	2,75 69,9	1,05 26,7	1,75 44,5	1,69 42,9	4	0,88 22,4	3,50 88,9	2,56
1"	1,315 33,4	5,88 149,4		1,12 28,4	2,88 73,2	1,315 33,4	2,06 52,3	2,00 50,8	4	1,00 25,4	4,00 101,6	3,74
1 1/4"	1,66 42,2	6,25 158,8		1,12 28,4	2,88 73,2	1,66 42,2	2,50 63,5	2,50 63,5	4	1,00 25,4	4,38 111,3	4,33
1 1/2"	1,90 48,3	7,00 177,8		1,25 31,8	3,25 82,6	1,90 48,3	2,75 69,9	2,88 73,2	4	1,12 28,4	4,88 124	5,94
2"	2,375 60,3	8,50 215,9		1,50 38,1	4,00 101,6	2,375 60,3	4,12 104,6	3,62 91,9	8	1,00 25,4	6,50 165,1	10,8
2 1/2"	2,875 73,0	9,62 244,3		1,62 41,1	4,12 104,6	2,875 73,0	4,88 124	4,12 104,6	8	1,12 28,4	7,50 190,5	15,0
3"	3,50 88,9	10,50 266,7		1,88 47,8	4,62 117,3	3,50 88,9	5,25 133,4	5,00 127,0	8	1,25 31,8	8,00 203,2	19,9
4"	4,50 114,3	12,25 311,2		2,12 53,8	4,88 124	4,50 114,3	6,38 162,1	6,19 157,2	8	1,38 35,1	9,50 241,3	29,9
5"	5,563 141,3	14,75 374,7		2,88 73,2	6,12 155,4	5,563 141,3	7,75 196,9	7,31 185,7	8	1,62 41,1	11,50 292,1	55,4
6"	6,625 168,3	15,50 393,7		3,25 82,6	6,75 171,5	6,625 168,3	9,00 228,6	8,50 215,9	12	1,50 38,1	12,50 317,5	68,4
8"	8,625 219,1	19,00 482,6		3,62 91,9	8,38 212,9	8,625 219,1	11,50 292,1	10,62 269,7	12	1,75 44,5	15,50 393,7	117
10"	10,75 273	23,00 584,2		4,25 108,0	10,00 254,0	10,75 273	14,50 368,3	12,75 323,9	12	2,00 50,8	19,00 482,6	194
12"	12,75 323,8	26,50 673,1		4,88 124	11,12 282,4	12,75 323,8	17,75 450,9	15,00 381,0	16	2,12 53,8	22,50 571,5	288
14"	14,0 355,6	29,50 749,3		5,25 133,4	11,75 298,5	14,0 355,6	19,50 495,3	16,25 412,8	16	2,38 60,5	25,00 635,0	380
16"	16,0 406,4	32,50 825,5		5,75 146,1	12,25 311,2	16,0 406,4	21,75 552,5	18,50 469,9	16	2,62 66,5	27,75 704,9	485
18"	18,0 457,2	36,00 914,4		6,38 162,1	12,88 327,2	18,0 457,2	23,50 596,9	21,00 533,4	16	2,88 73,2	30,50 774,7	644
20"	20,0 508	38,75 984,3		7,00 177,8	14,00 355,6	20,0 508	25,25 641,4	23,00 584,2	16	3,12 79,2	32,75 831,9	775
24"	24,0 609,6	46,00 1168,4		8,00 203,2	16,00 406,4	24,0 609,6	30,00 762,0	27,25 692,2	16	3,62 91,9	39,00 990,6	1232

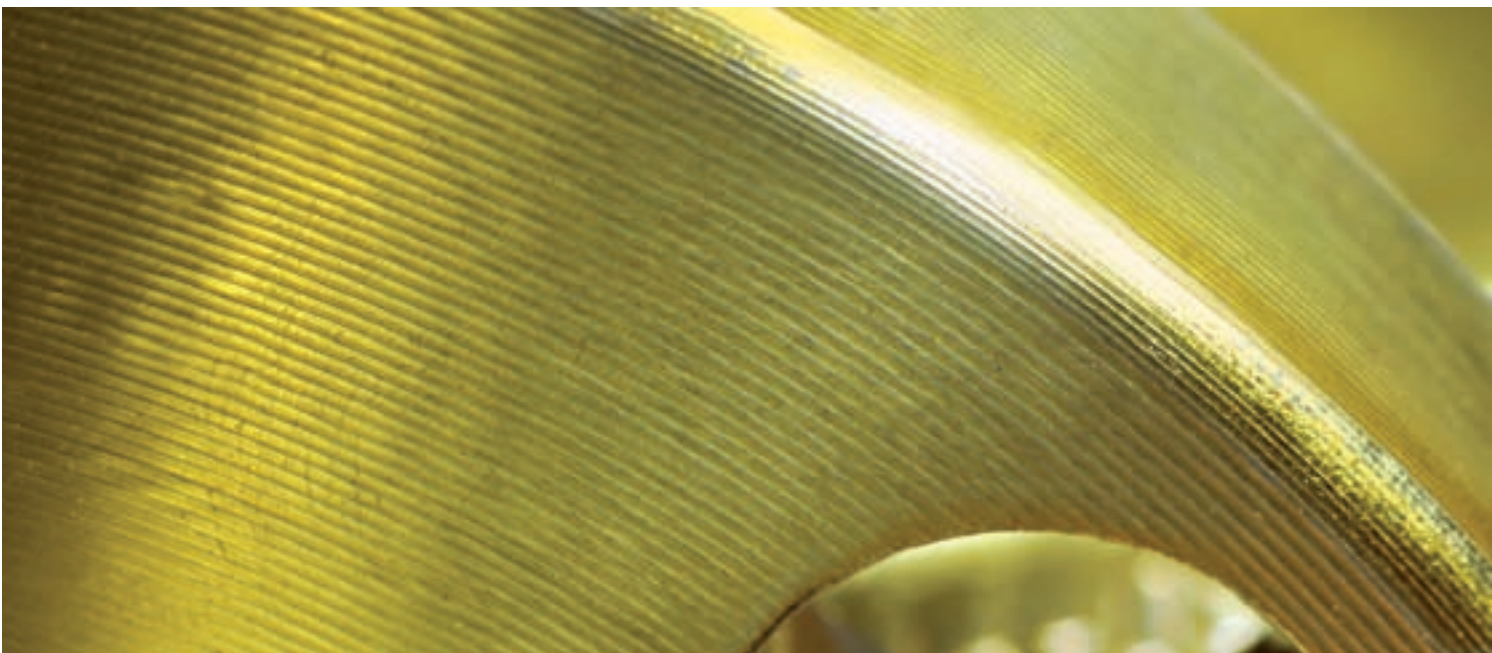
2500 LB/SQ. IN. WELDING NECK FLANGES

ASME B 16.5

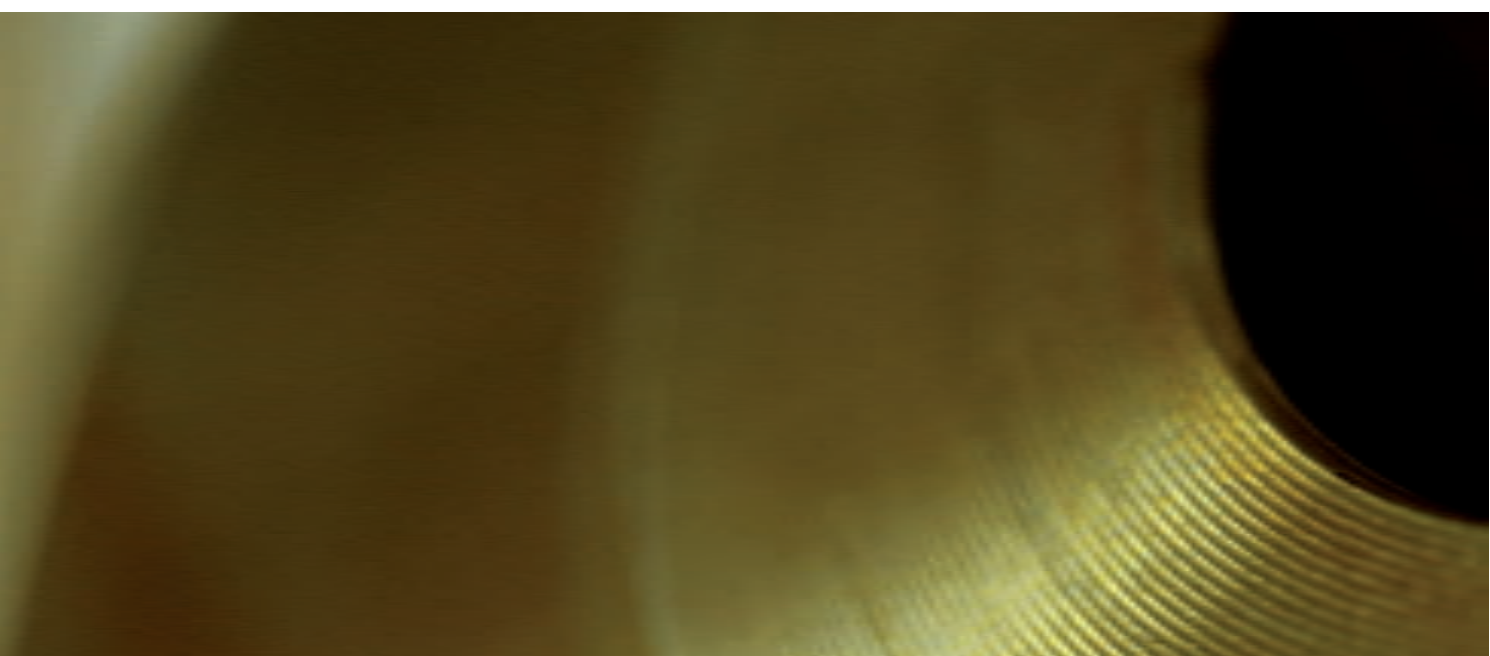


Pipe		Flange				Hub		Raised Face	Drilling Template			Approx. Weight
Nom. Size DN	OD in. mm	D in. mm	J in. mm	b in. mm	h in. mm	a in. mm	m in. mm	g in. mm	Number	I in. mm	k in. mm	Kilo
1/2"	0,84 21,3	5,25 133,4	To be specified by the purchaser	1,19 30,2	2,88 73,2	0,84 21,3	1,69 42,9	1,38 35,1	4	0,88 22,4	3,50 88,9	3,12
3/4"	1,05 26,7	5,50 139,7		1,25 31,8	3,12 79,2	1,05 26,7	2,00 50,8	1,69 42,9	4	0,88 22,4	3,75 95,3	3,70
1"	1,315 33,4	6,25 158,8		1,38 35,1	3,50 88,9	1,315 33,4	2,25 57,2	2,00 50,8	4	1,00 25,4	4,25 108,0	5,24
1 1/4"	1,66 42,2	7,25 184,2		1,50 38,1	3,75 95,3	1,66 42,2	2,88 73,2	2,50 63,5	4	1,12 28,4	5,12 130,0	7,74
1 1/2"	1,90 48,3	8,00 203,2		1,75 44,5	4,38 111,3	1,90 48,3	3,12 79,2	2,88 73,2	4	1,25 31,8	5,75 146,1	10,9
2"	2,375 60,3	9,25 235,0		2,00 50,8	5,00 127,0	2,375 60,3	3,75 95,3	3,62 91,9	8	1,12 28,4	6,75 171,5	16,2
2 1/2"	2,875 73,0	10,50 266,7		2,25 57,2	5,62 142,7	2,875 73,0	4,50 114,3	4,12 104,6	8	1,25 31,8	7,75 196,9	23,7
3"	3,50 88,9	12,00 304,8		2,62 66,5	6,62 168,1	3,50 88,9	5,25 133,4	5,00 127,0	8	1,38 35,1	9,00 228,6	36,2
4"	4,50 114,3	14,00 355,6		3,00 76,2	7,50 190,5	4,50 114,3	6,50 165,1	6,19 157,2	8	1,62 41,1	10,75 273,1	55,3
5"	5,563 141,3	16,50 419,1		3,62 91,9	9,00 228,6	5,563 141,3	8,00 203,2	7,31 185,7	8	1,88 47,8	12,75 323,9	92,5
6"	6,625 168,3	19,00 482,6		4,25 108,0	10,75 273,1	6,625 168,3	9,25 235,0	8,50 215,9	8	2,12 53,8	14,50 368,3	143
8"	8,625 219,1	21,75 552,5		5,00 127,0	12,50 317,5	8,625 219,1	12,00 304,8	10,62 269,7	12	2,12 53,8	17,25 438,2	215
10"	10,75 273	26,50 673,1	6,50 165,1	16,50 419,1	10,75 273	14,75 374,7	12,75 323,9	12	2,62 66,5	21,25 539,8	406	
12"	12,75 323,8	30,00 762,0	7,25 184,2	18,25 463,6	12,75 323,8	17,38 441,5	15,00 381,0	12	2,88 73,2	24,38 619,3	572	

ASME B 16.5

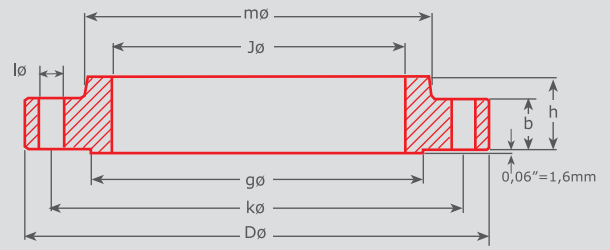


SLIP ON FLANGES ACC. TO ASME B 16.5



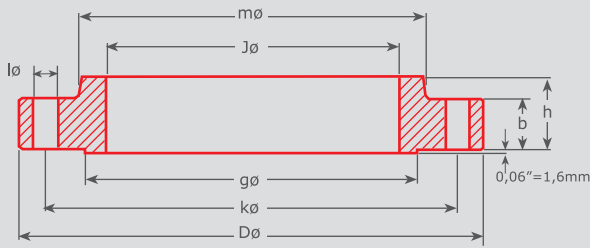
150 LB/SQ. IN.

SLIP ON FLANGES



ASME B 16.5

Pipe		Flange				Hub	Raised Face	Drilling Template			Approx Weight
Nom. Size DN	OD in. mm	D in. mm	J in. mm	b in. mm	h in. mm	m in. mm	g in. mm	Number	I in. mm	k in. mm	Kilo
1/2"	0,84 21,3	3,50 88,9	0,88 22,4	0,38 9,6	0,56 14,1	1,19 30,2	1,38 35,1	4	0,62 15,7	2,38 60,5	0,39
3/4"	1,05 26,7	3,88 98,6	1,09 27,7	0,44 11,1	0,56 14,1	1,50 38,1	1,69 42,9	4	0,62 15,7	2,75 69,9	0,56
1"	1,315 33,4	4,25 108,0	1,36 34,5	0,5 12,6	0,63 15,9	1,94 49,3	2,00 50,8	4	0,62 15,7	3,12 79,2	0,78
1 1/4"	1,66 42,2	4,62 117,3	1,70 43,2	0,56 14,1	0,75 19	2,31 58,7	2,50 63,5	4	0,62 15,7	3,50 88,9	1,03
1 1/2"	1,90 48,3	5,00 127,0	1,95 49,5	0,63 15,9	0,82 20,8	2,56 65,0	2,88 73,2	4	0,62 15,7	3,88 98,6	1,32
2"	2,375 60,3	6,00 152,4	2,44 62,0	0,69 17,5	0,94 23,8	3,06 77,7	3,62 91,9	4	0,75 19,1	4,75 120,7	2,06
2 1/2"	2,875 73,0	7,00 177,8	2,94 74,7	0,82 20,8	1,06 26,8	3,56 90,4	4,12 104,6	4	0,75 19,1	5,50 139,7	3,28
3"	3,50 88,9	7,50 190,5	3,57 90,7	0,88 22,3	1,13 28,6	4,25 108,0	5,00 127,0	4	0,75 19,1	6,00 152,4	3,85
3 1/2"	4,00 101,6	8,50 215,9	4,07 103,4	0,88 22,3	1,19 30,2	4,81 122,2	5,50 139,7	8	0,75 19,1	7,00 177,8	4,81
4"	4,50 114,3	9,00 228,6	4,57 116,1	0,88 22,3	1,25 31,7	5,31 134,9	6,19 157,2	8	0,75 19,1	7,50 190,5	5,30
5"	5,563 141,3	10,00 254,0	5,66 143,8	0,88 22,3	1,38 35	6,44 163,6	7,31 185,7	8	0,88 22,4	8,50 215,9	6,07
6"	6,625 168,3	11,00 279,4	6,72 170,7	0,94 23,8	1,5 38	7,56 192,0	8,50 215,9	8	0,88 22,4	9,50 241,3	7,45
8"	8,625 219,1	13,50 342,9	8,72 221,5	1,06 26,8	1,69 42,9	9,69 246,1	10,62 269,7	8	0,88 22,4	11,75 298,5	12,1
10"	10,75 273	16,00 406,4	10,88 276,4	1,13 28,6	1,88 47,7	12,00 304,8	12,75 323,9	12	1,00 25,4	14,25 362,0	16,5
12"	12,75 323,8	19,00 482,6	12,88 327,2	1,19 30,2	2,13 54	14,38 365,3	15,00 381,0	12	1,00 25,4	17,00 431,8	26,2
14"	14,0 355,6	21,00 533,4	14,14 359,2	1,32 33,5	2,19 55,6	15,75 400,1	16,25 412,8	12	1,12 28,4	18,75 476,3	34,6
16"	16,0 406,4	23,50 596,9	16,16 410,5	1,38 35	2,44 61,9	18,00 457,2	18,50 469,9	16	1,12 28,4	21,25 539,8	44,8
18"	18,0 457,2	25,00 635,0	18,18 461,8	1,5 38	2,63 66,7	19,88 505,0	21,00 533,4	16	1,25 31,8	22,75 577,9	48,9
20"	20,0 508	27,50 698,5	20,20 513,1	1,63 41,3	2,82 71,6	22,00 558,8	23,00 584,2	20	1,25 31,8	25,00 635,0	61,9
24"	24,0 609,6	32,00 812,8	24,25 616,0	1,82 46,2	3,19 81	26,12 663,4	27,25 692,2	20	1,38 35,1	29,50 749,3	86,9



300 LB/SQ. IN.

SLIP ON FLANGES

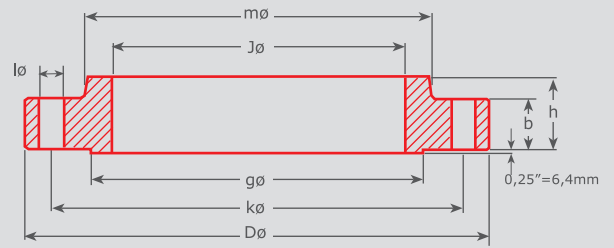
ASME B 16.5

ASME
B 16.5SLIP-ON
FLANGES150
300

Pipe		Flange				Hub	Raised Face	Drilling Template			Approx. Weight
Nom. Size DN	OD in. mm	D in. mm	J in. mm	b in. mm	h in. mm	m in. mm	g in. mm	Number	I in. mm	k in. mm	Kilo
1/2"	0,84 21,3	3,75 95,3	0,88 22,4	0,5 12,6	0,82 20,8	1,50 38,1	1,38 35,1	4	0,62 15,7	2,62 66,5	0,64
3/4"	1,05 26,7	4,62 117,3	1,09 27,7	0,56 14,1	0,94 23,8	1,88 47,8	1,69 42,9	4	0,75 19,1	3,25 82,6	1,12
1"	1,315 33,4	4,88 123,9	1,36 34,5	0,63 15,9	1 25,3	2,12 53,8	2,00 50,8	4	0,75 19,1	3,50 88,9	1,36
1 1/4"	1,66 42,2	5,25 133,4	1,70 43,2	0,69 17,5	1 25,3	2,50 63,5	2,50 63,5	4	0,75 19,1	3,88 98,6	1,68
1 1/2"	1,90 48,3	6,12 155,4	1,95 49,5	0,75 19	1,13 28,6	2,75 69,9	2,88 73,2	4	0,88 22,4	4,50 114,3	2,49
2"	2,375 60,3	6,50 165,1	2,44 62,0	0,82 20,8	1,25 31,7	3,31 84,1	3,62 91,9	8	0,75 19,1	5,00 127,0	2,87
2 1/2"	2,875 73,0	7,50 190,5	2,94 74,7	0,94 23,8	1,44 36,5	3,94 100,1	4,12 104,6	8	0,88 22,4	5,88 149,4	4,32
3"	3,50 88,9	8,25 209,6	3,57 90,7	1,06 26,8	1,63 41,3	4,62 117,3	5,00 127,0	8	0,88 22,4	6,62 168,1	5,85
3 1/2"	4,00 101,6	9,00 228,6	4,07 103,4	1,13 28,6	1,69 42,9	5,25 133,4	5,50 139,7	8	0,88 22,4	7,25 184,2	7,34
4"	4,50 114,3	10,00 254,0	4,57 116,1	1,19 30,2	1,82 46,2	5,75 146,1	6,19 157,2	8	0,88 22,4	7,88 200,2	9,61
5"	5,563 141,3	11,00 279,4	5,66 143,8	1,32 33,5	1,94 49,2	7,00 177,8	7,31 185,7	8	0,88 22,4	9,25 235	12,3
6"	6,625 168,3	12,50 317,5	6,72 170,7	1,38 35	2 50,7	8,12 206,2	8,50 215,9	12	0,88 22,4	10,62 269,7	15,6
8"	8,625 219,1	15,00 381,0	8,72 221,5	1,56 39,5	2,38 60,4	10,25 260,4	10,62 269,7	12	1,00 25,4	13,00 330,2	24,2
10"	10,75 273	17,50 444,5	10,88 276,4	1,82 46,2	2,56 64,9	12,62 320,5	12,75 323,9	16	1,12 28,4	15,25 387,4	34,1
12"	12,75 323,8	20,50 520,7	12,88 327,2	1,94 49,2	2,82 71,6	14,75 374,7	15,00 381,0	16	1,25 31,8	17,75 450,9	49,8
14"	14,0 355,6	23,00 584,2	14,14 359,2	2,06 52,2	2,94 74,6	16,75 425,5	16,25 412,8	20	1,25 31,8	20,25 514,4	69,9
16"	16,0 406,4	25,50 647,7	16,16 410,5	2,19 55,6	3,19 81	19,00 482,6	18,50 469,9	20	1,38 35,1	22,50 571,5	88,1
18"	18,0 457,2	28,00 711,2	18,18 461,8	2,32 58,9	3,44 87,3	21,00 533,4	21,00 533,4	24	1,38 35,1	24,75 628,7	109
20"	20,0 508	30,50 774,7	20,20 513,1	2,44 61,9	3,69 93,7	23,12 587,2	23,00 584,2	24	1,38 35,1	27,00 685,8	134
24"	24,0 609,6	36,00 914,4	24,25 616,0	2,69 68,3	4,13 104,8	27,62 701,5	27,25 692,2	24	1,62 41,1	32,00 812,8	201

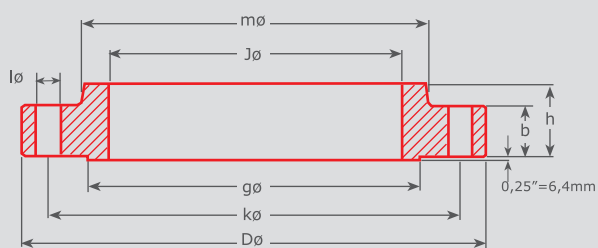
400 LB/SQ. IN.

SLIP ON FLANGES



ASME B 16.5

Pipe		Flange				Hub	Raised Face	Drilling Template			Approx. Weight
Nom. Size DN	OD in. mm	D in. mm	J in. mm	b in. mm	h in. mm	m in. mm	g in. mm	Number	I in. mm	k in. mm	Kilo
1/2"	0,84 21,3										
3/4"	1,05 26,7										
1"	1,315 33,4										
1 1/4"	1,66 42,2										
1 1/2"	1,90 48,3										
2"	2,375 60,3										
2 1/2"	2,875 73,0										
3"	3,50 88,9										
3 1/2"	4,00 101,6										
Use 600 lb dimensions for these sizes											
4"	4,50 114,3	10,00 254,0	4,57 116,1	1,38 35,1	2,00 50,8	5,75 146,1	6,19 157,2	8	1,00 25,4	7,88 200,2	11,1
5"	5,563 141,3	11,00 279,4	5,66 143,8	1,50 38,1	2,12 53,8	7,00 177,8	7,31 185,7	8	1,00 25,4	9,25 235,0	13,9
6"	6,625 168,3	12,50 317,5	6,72 170,7	1,62 41,1	2,25 57,2	8,12 206,2	8,50 215,9	12	1,00 25,4	10,62 269,7	18,3
8"	8,625 219,1	15,00 381,0	8,72 221,5	1,88 47,8	2,69 68,3	10,25 260,4	10,62 269,7	12	1,12 28,4	13,00 330,2	28,6
10"	10,75 273	17,50 444,5	10,88 276,4	2,12 53,8	2,88 73,2	12,62 320,5	12,75 323,9	16	1,25 31,8	15,25 387,4	39,2
12 "	12,75 323,8	20,50 520,7	12,88 327,2	2,25 57,2	3,12 79,2	14,75 374,7	15,00 381,0	16	1,38 35,1	17,75 450,9	57,0
14 "	14,0 355,6	23,00 584,2	14,14 359,2	2,38 60,5	3,31 84,1	16,75 425,5	16,25 412,8	20	1,38 35,1	20,25 514,4	79,1
16 "	16,0 406,4	25,50 647,7	16,16 410,5	2,50 63,5	3,69 93,7	19,00 482,6	18,50 469,9	20	1,50 38,1	22,50 571,5	101
18 "	18,0 457,2	28,00 711,2	18,18 461,8	2,62 66,5	3,88 98,6	21,00 533,4	21,00 533,4	24	1,50 38,1	24,75 628,7	123
20 "	20,0 508	30,50 774,7	20,20 513,1	2,75 69,9	4,00 101,6	23,12 587,2	23,00 584,2	24	1,62 41,1	27,00 685,8	146
24 "	24,0 609,6	36,00 914,4	24,25 616,0	3,00 76,2	4,50 114,3	27,62 701,5	27,25 692,2	24	1,88 47,8	32,00 812,8	219



600 LB/SQ. IN.

SLIP ON FLANGES

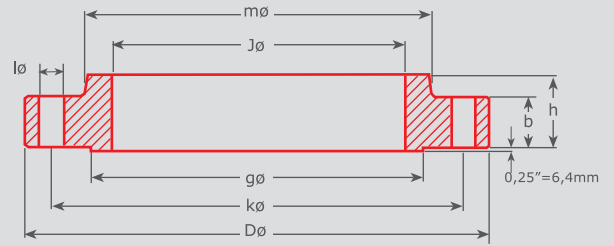
ASME B 16.5

ASME
B 16.5SLIP-ON
FLANGES400
600

Pipe		Flange				Hub	Raised Face	Drilling Template			Approx. Weight
Nom. Size DN	OD in. mm	D in. mm	J in. mm	b in. mm	h in. mm	m in. mm	g in. mm	Number	I in. mm	k in. mm	Kilo
1/2"	0,84 21,3	3,75 95,3	0,88 22,4	0,56 14,2	0,88 22,4	1,50 38,1	1,38 35,1	4	0,62 15,7	2,62 66,5	0,74
3/4"	1,05 26,7	4,62 117,3	1,09 27,7	0,62 15,7	1,00 25,4	1,88 47,8	1,69 42,9	4	0,75 19,1	3,25 82,6	1,27
1"	1,315 33,4	4,88 124,0	1,36 34,5	0,69 17,5	1,06 26,9	2,12 53,8	2,00 50,8	4	0,75 19,1	3,50 88,9	1,52
1 1/4"	1,66 42,2	5,25 133,4	1,70 43,2	0,81 20,6	1,12 28,4	2,50 63,5	2,50 63,5	4	0,75 19,1	3,88 98,6	2,03
1 1/2"	1,90 48,3	6,12 155,4	1,95 49,5	0,88 22,4	1,25 31,8	2,75 69,9	2,88 73,2	4	0,88 22,4	4,50 114,3	2,96
2"	2,375 60,3	6,50 165,1	2,44 62,0	1,00 25,4	1,44 36,6	3,31 84,1	3,62 91,9	8	0,75 19,1	5,00 127,0	3,62
2 1/2"	2,875 73,0	7,50 190,5	2,94 74,7	1,12 28,4	1,62 41,1	3,94 100,1	4,12 104,6	8	0,88 22,4	5,88 149,4	5,28
3"	3,50 88,9	8,25 209,6	3,57 90,7	1,25 31,8	1,81 46,0	4,62 117,3	5,00 127,0	8	0,88 22,4	6,62 168,1	7,00
3 1/2"	4,00 101,6	9,00 228,6	4,07 103,4	1,38 35,1	1,94 49,3	5,25 133,4	5,50 139,7	8	1,00 25,4	7,25 184,2	8,84
4"	4,50 114,3	10,75 273,1	4,57 116,1	1,50 38,1	2,12 53,8	6,00 152,4	6,19 157,2	8	1,00 25,4	8,50 215,9	14,5
5"	5,563 141,3	13,00 330,2	5,66 143,8	1,75 44,5	2,38 60,5	7,44 189,0	7,31 185,7	8	1,12 28,4	10,50 266,7	24,4
6"	6,625 168,3	14,00 355,6	6,72 170,7	1,88 47,8	2,62 66,5	8,75 222,3	8,50 215,9	12	1,12 28,4	11,50 292,1	28,7
8"	8,625 219,1	16,50 419,1	8,72 221,5	2,19 55,6	3,00 76,2	10,75 273,1	10,62 269,7	12	1,25 31,8	13,75 349,3	43,4
10"	10,75 273	20,00 508,0	10,88 276,4	2,50 63,5	3,38 85,9	13,50 342,9	12,75 323,9	16	1,38 35,1	17,00 431,8	70,3
12"	12,75 323,8	22,00 558,8	12,88 327,2	2,62 66,5	3,62 91,9	15,75 400,1	15,00 381,0	20	1,38 35,1	19,25 489,0	84,2
14"	14,0 355,6	23,75 603,3	14,14 359,2	2,75 69,9	3,69 93,7	17,00 431,8	16,25 412,8	20	1,50 38,1	20,75 527,1	98,7
16"	16,0 406,4	27,00 685,8	16,16 410,5	3,00 76,2	4,19 106,4	19,50 495,3	18,50 469,9	20	1,62 41,1	23,75 603,3	142
18"	18,0 457,2	29,25 743,0	18,18 461,8	3,25 82,6	4,62 117,3	21,50 546,1	21,00 533,4	20	1,75 44,5	25,75 654,1	173
20"	20,0 508	32,00 812,8	20,20 513,1	3,50 88,9	5,00 127,0	24,00 609,6	23,00 584,2	24	1,75 44,5	28,50 723,9	220
24"	24,0 609,6	37,00 939,8	24,25 616,0	4,00 101,6	5,50 139,7	28,25 717,6	27,25 692,2	24	2,00 50,8	33,00 838,2	312

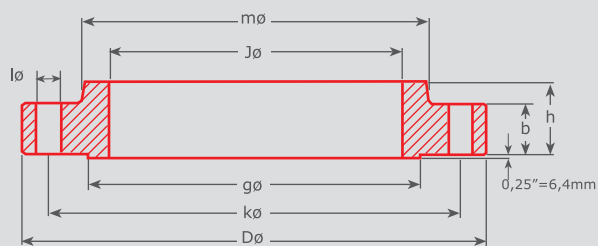
900 LB/SQ. IN.

SLIP ON FLANGES



ASME B 16.5

Pipe		Flange				Hub	Raised Face	Drilling Template			Approx. Weight
Nom. Size DN	OD in. mm	D in. mm	J in. mm	b in. mm	h in. mm	m in. mm	g in. mm	Number	I in. mm	k in. mm	Kilo
1/2"	0,84 21,3										
3/4"	1,05 26,7										
1"	1,315 33,4										
1 1/4"	1,66 42,2										
1 1/2"	1,90 48,3										
2"	2,375 60,3										
2 1/2"	2,875 73,0										
Use 1500 Ib dimensions for these sizes											
3"	3,50 88,9	9,50 241,3	3,57 90,7	1,50 38,1	2,12 53,8	5,00 127,0	5,00 127,0	8	1,00 25,4	7,50 190,5	11,6
4"	4,00 101,6	11,50 292,1	4,57 116,1	1,75 44,4	2,75 69,9	6,25 158,8	6,19 157,2	8	1,25 31,8	9,25 235	19,7
5"	5,563 141,3	13,75 349,3	5,66 143,8	2,00 50,8	3,12 79,2	7,50 190,5	7,31 185,7	8	1,38 35,1	11,00 279,4	31,9
6"	6,625 168,3	15,00 381,0	6,72 170,7	2,19 55,6	3,38 85,9	9,25 235	8,50 215,9	12	1,25 31,8	12,50 317,5	41,1
8"	8,625 219,1	18,50 469,9	8,72 221,5	2,50 63,5	4,00 101,6	11,75 298,5	10,62 269,8	12	1,50 38,1	15,50 393,7	70,7
10"	10,75 273	21,50 546,1	10,88 276,4	2,75 69,9	4,25 107,9	14,50 368,3	12,75 323,8	16	1,50 38,1	18,50 469,9	101
12"	12,75 323,8	24,00 609,6	12,88 327,2	3,12 79,2	4,62 117,3	16,50 419,1	15,00 381,0	20	1,50 38,1	21,00 533,4	133
14"	14,0 355,6	25,25 641,4	14,14 359,2	3,38 85,9	5,12 130,0	17,75 450,9	16,25 412,8	20	1,62 41,1	22,00 558,8	153
16"	16,0 406,4	27,75 704,9	16,16 410,5	3,50 88,9	5,25 133,4	20,00 508,0	18,50 469,9	20	1,75 44,5	24,25 616	185
18"	18,0 457,2	31,00 787,4	18,18 461,8	4,00 101,6	6,00 152,4	22,25 565,2	21,00 533,4	20	2,00 50,8	27,00 685,8	258
20"	20,0 508	33,75 857,3	20,20 513,1	4,25 108,0	6,25 158,8	24,50 622,3	23,00 584,2	20	2,12 53,8	29,50 749,3	317
24"	24,0 609,6	41,00 1041,4	24,25 616	5,50 139,7	8,00 203,2	29,50 749,3	27,25 692,2	20	2,62 66,5	35,50 901,7	606



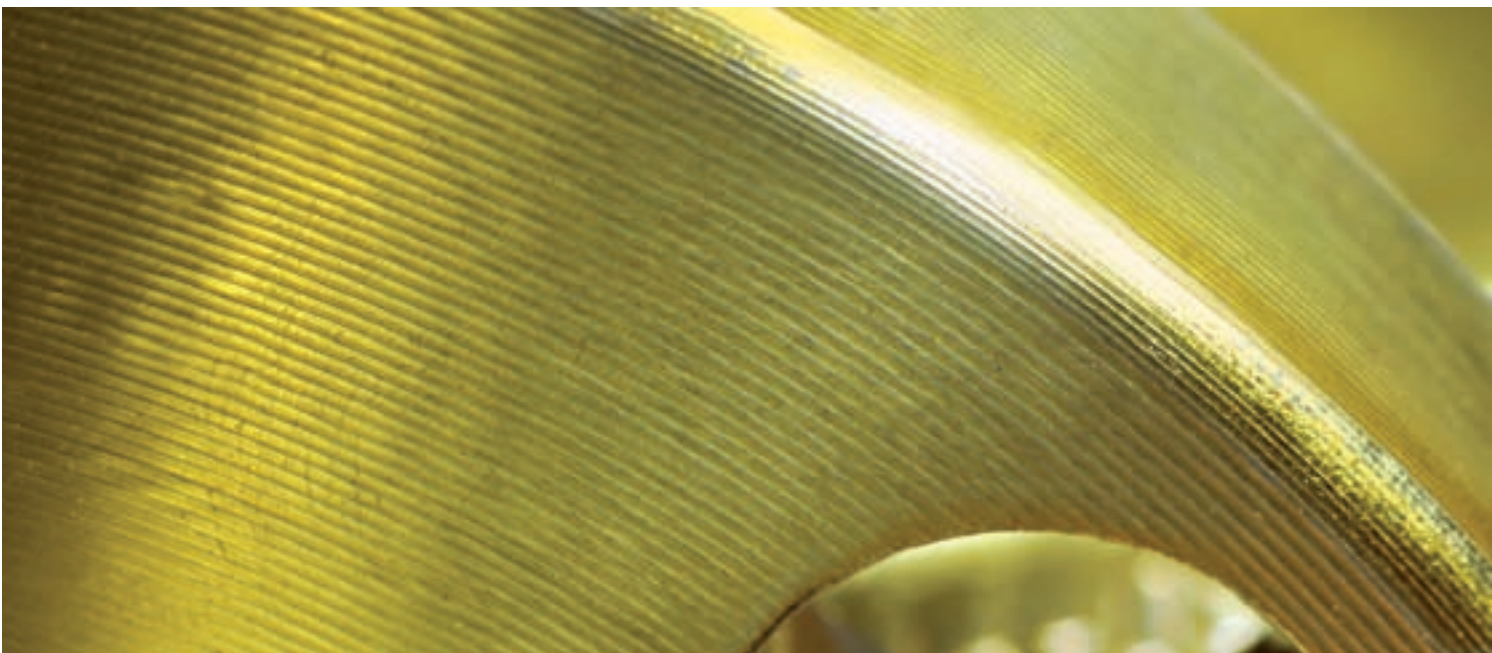
1500 LB/SQ. IN.

SLIP ON FLANGES

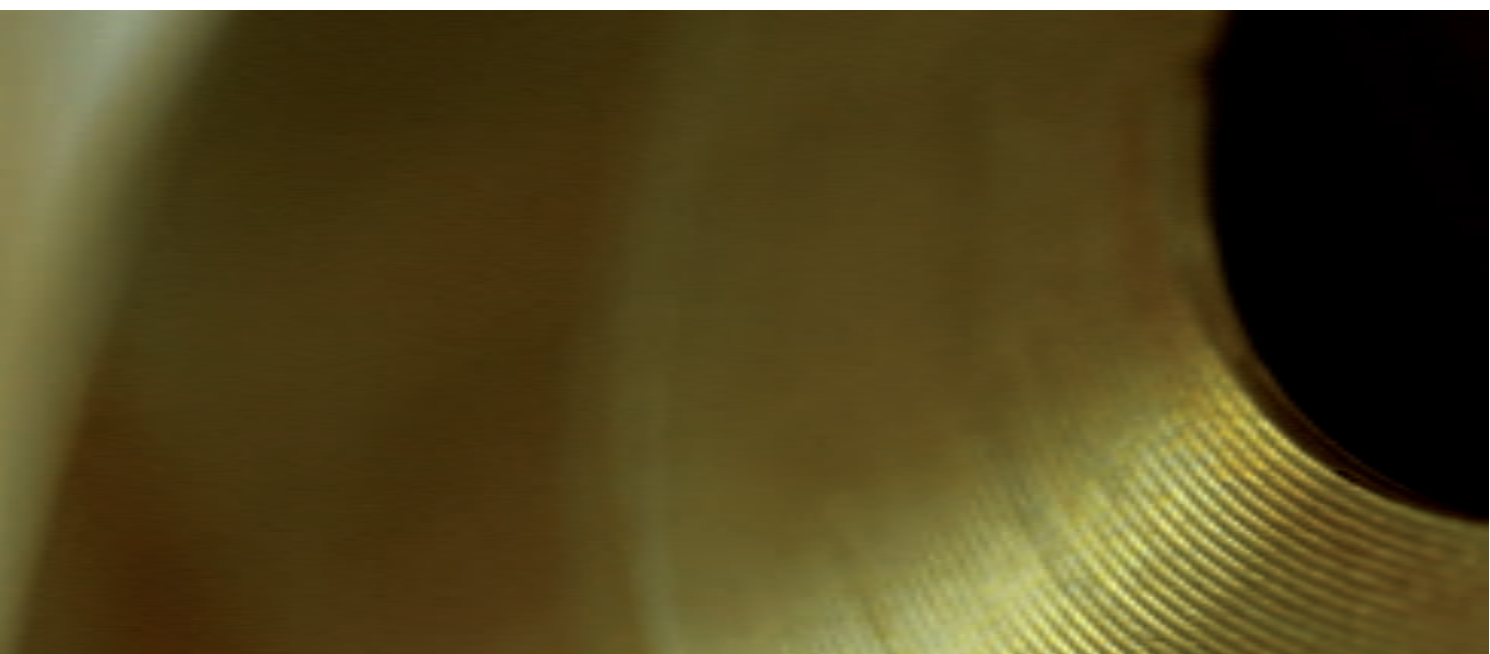
ASME B 16.5

ASME
B 16.5SLIP-ON
FLANGES900
1500

Pipe		Flange				Hub	Raised Face	Drilling Template			Approx. Weight
Nom. Size DN	OD in. mm	D in. mm	J in. mm	b in. mm	h in. mm	m in. mm	g in. mm	Number	I in. mm	k in. mm	Kilo
1/2"	0,84 21,3	4,75 120,7	0,88 22,4	0,88 22,4	1,25 31,8	1,50 38,1	1,38 35,1	4	0,88 22,4	3,25 82,6	1,74
3/4"	1,05 26,7	5,12 130,0	1,09 27,7	1,00 25,4	1,38 35,1	1,75 44,5	1,69 42,9	4	0,88 22,4	3,50 88,9	2,34
1"	1,315 33,4	5,88 149,4	1,36 34,5	1,12 28,4	1,62 41,1	2,06 52,3	2,00 50,8	4	1,00 25,4	4,00 101,6	3,44
1 1/4"	1,66 42,2	6,25 158,7	1,70 43,2	1,12 28,4	1,62 41,1	2,50 63,5	2,50 63,5	4	1,00 25,4	4,38 111,3	3,91
1 1/2"	1,90 48,3	7,00 177,8	1,95 49,5	1,25 31,8	1,75 44,5	2,75 69,9	2,88 73,2	4	1,12 28,4	4,88 124	5,36
2"	2,375 60,3	8,50 215,9	2,44 62,0	1,50 38,1	2,25 57,2	4,12 104,6	3,62 91,9	8	1,00 25,4	6,50 165,1	9,85
2 1/2"	2,875 73,0	9,62 244,3	2,94 74,7	1,62 41,1	2,50 63,5	4,88 124	4,12 104,6	8	1,12 28,4	7,50 190,5	13,7

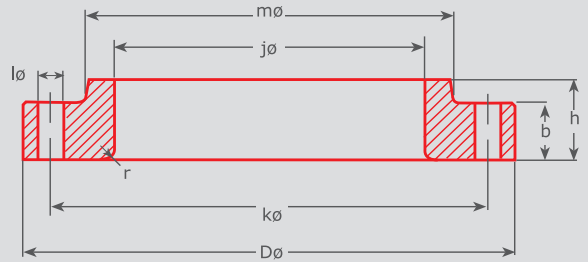


LAP JOINT FLANGES ACC. TO ASME B 16.5

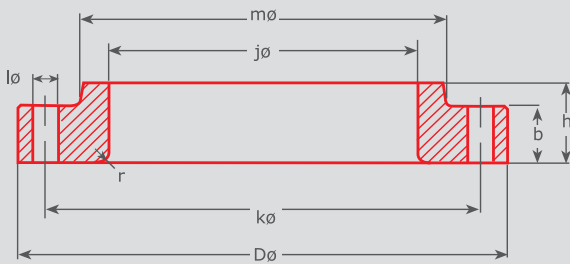


150 LB/SQ. IN. LAP JOINT FLANGES

ASME B 16.5



Pipe		Flange					Hub	Drilling Template			Approx. Weight
Nom. Size DN	OD in. mm	D in. mm	J in. mm	b in. mm	h in. mm	r in. mm	m in. mm	Number	I in. mm	k in. mm	Kilo
1/2"	0,84 21,3	3,50 88,9	0,90 22,9	0,44 11,2	0,62 15,7	0,12 3,0	1,19 30,2	4	0,62 15,7	2,38 60,5	0,38
3/4"	1,05 26,7	3,88 98,6	1,11 28,2	0,50 12,7	0,62 15,7	0,12 3,0	1,50 38,1	4	0,62 15,7	2,75 69,9	0,55
1"	1,315 33,4	4,25 108,0	1,38 35,1	0,56 14,2	0,69 17,5	0,12 3,0	1,94 49,3	4	0,62 15,7	3,12 79,2	0,76
1 1/4"	1,66 42,2	4,62 117,3	1,72 43,7	0,62 15,7	0,81 20,6	0,19 4,8	2,31 58,7	4	0,62 15,7	3,50 88,9	1,01
1 1/2"	1,90 48,3	5,00 127,0	1,97 50,0	0,69 17,5	0,88 22,4	0,25 6,4	2,56 65,0	4	0,62 15,7	3,88 98,6	1,30
2"	2,375 60,3	6,00 152,4	2,46 62,5	0,75 19,1	1,00 25,4	0,31 7,9	3,06 77,7	4	0,75 19,1	4,75 120,7	2,03
2 1/2"	2,875 73,0	7,00 177,8	2,97 75,4	0,88 22,4	1,12 28,4	0,31 7,9	3,56 90,4	4	0,75 19,1	5,50 139,7	3,25
3"	3,50 88,9	7,50 190,5	3,60 91,4	0,94 23,9	1,19 30,2	0,38 9,7	4,25 108,0	4	0,75 19,1	6,00 152,4	3,81
3 1/2"	4,00 101,6	8,50 215,9	4,10 104,1	0,94 23,9	1,25 31,8	0,38 9,7	4,81 122,2	8	0,75 19,1	7,00 177,8	4,76
4"	4,50 114,3	9,00 228,6	4,60 116,8	0,94 23,9	1,31 33,3	0,44 11,2	5,31 134,9	8	0,75 19,1	7,50 190,5	5,25
5"	5,563 141,3	10,00 254,0	5,69 144,5	0,94 23,9	1,44 36,6	0,44 11,2	6,44 163,6	8	0,88 22,4	8,50 215,9	6,02
6"	6,625 168,3	11,00 279,4	6,75 171,5	1,00 25,4	1,56 39,6	0,50 12,7	7,56 192,0	8	0,88 22,4	9,50 241,3	7,40
8"	8,625 219,1	13,50 342,9	8,75 222,3	1,12 28,4	1,75 44,5	0,50 12,7	9,69 246,1	8	0,88 22,4	11,75 298,5	12,1
10"	10,75 273	16,00 406,4	10,92 277,4	1,19 30,2	1,94 49,3	0,50 12,7	12,00 304,8	12	1,00 25,4	14,25 362,0	16,4
12"	12,75 323,8	19,00 482,6	12,92 328,2	1,25 31,8	2,19 55,6	0,50 12,7	14,38 365,3	12	1,00 25,4	17,00 431,8	26,1
14"	14,0 355,6	21,00 533,4	14,18 360,2	1,38 35,1	3,12 79,2	0,50 12,7	15,75 400,1	12	1,12 28,4	18,75 476,3	34,5
16"	16,0 406,4	23,50 596,9	16,19 411,2	1,44 36,6	3,44 87,4	0,50 12,7	18,00 457,2	16	1,12 28,4	21,25 539,8	44,6
18"	18,0 457,2	25,00 635,0	18,20 462,3	1,56 39,6	3,81 96,8	0,50 12,7	19,88 505,0	16	1,25 31,8	22,75 577,9	48,7
20"	20,0 508	27,50 698,5	20,25 514,4	1,69 42,9	4,06 103,1	0,50 12,7	22,00 558,8	20	1,25 31,8	25,00 635,0	61,6
24"	24,0 609,6	32,00 812,8	24,25 616,0	1,88 47,8	4,38 111,3	0,50 12,7	26,12 663,4	20	1,38 35,1	29,50 749,3	86,6



300 LB/SQ. IN. LAP JOINT FLANGES

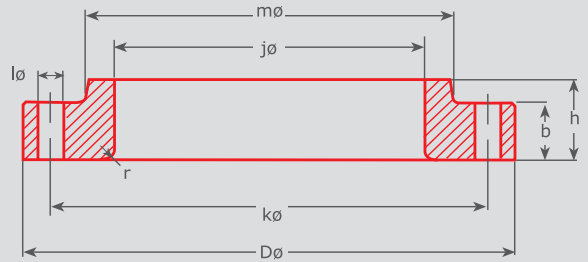
ASME B 16.5

Pipe		Flange					Hub	Drilling Template			Approx. Weight
Nom. Size DN	OD in. mm	D in. mm	J in. mm	b in. mm	h in. mm	r in. mm	m in. mm	Number	I in. mm	k in. mm	Kilo
1/2"	0,84 21,3	3,75 95,3	0,90 22,9	0,56 14,2	0,88 22,4	0,12 3,0	1,50 38,1	4	0,62 15,7	2,62 66,6	0,62
3/4"	1,05 26,7	4,62 117,3	1,11 28,2	0,62 15,7	1,00 25,4	0,12 3,0	1,88 47,8	4	0,75 19,1	3,25 82,6	1,10
1"	1,315 33,4	4,88 124	1,38 35,1	0,69 17,5	1,06 26,9	0,12 3,0	2,12 53,8	4	0,75 19,1	3,50 88,9	1,33
1 1/4"	1,66 42,2	5,25 133,4	1,72 43,7	0,75 19,1	1,06 26,9	0,19 4,8	2,50 63,5	4	0,75 19,1	3,88 98,6	1,65
1 1/2"	1,90 48,3	6,12 155,4	1,97 50,0	0,81 20,6	1,19 30,2	0,25 6,4	2,75 69,9	4	0,88 22,4	4,50 114,3	2,44
2"	2,375 60,3	6,50 165,1	2,46 62,5	0,88 22,4	1,31 33,3	0,31 7,9	3,31 84,1	8	0,75 19,1	5,00 127,0	2,83
2 1/2"	2,875 73,0	7,50 190,5	2,97 75,4	1,00 25,4	1,50 38,1	0,31 7,9	3,94 100,1	8	0,88 22,4	5,88 149,4	4,25
3"	3,50 88,9	8,25 209,6	3,60 91,4	1,12 28,4	1,69 42,9	0,38 9,7	4,62 117,3	8	0,88 22,4	6,62 168,1	5,78
3 1/2"	4,00 101,6	9,00 228,6	4,10 104,1	1,19 30,2	1,75 44,5	0,38 9,7	5,25 133,4	8	0,88 22,4	7,25 184,2	7,27
4"	4,50 114,3	10,00 254,0	4,60 116,8	1,25 31,8	1,88 47,8	0,44 11,2	5,75 146,1	8	0,88 22,4	7,88 200,2	9,55
5"	5,563 141,3	11,00 279,4	5,69 144,5	1,38 35,1	2,00 50,8	0,44 11,2	7,00 177,8	8	0,88 22,4	9,25 235	12,2
6"	6,625 168,3	12,50 317,5	6,75 171,5	1,44 36,6	2,06 52,3	0,50 12,7	8,12 206,2	12	0,88 22,4	10,62 269,7	15,5
8"	8,625 219,1	15,00 381,0	8,75 222,3	1,62 41,1	2,44 62	0,50 12,7	10,25 260,4	12	1,00 25,4	13,00 330,2	24,1
10"	10,75 273	17,50 444,5	10,92 277,4	1,88 47,8	3,75 95,3	0,50 12,7	12,62 320,5	16	1,12 28,4	15,25 387,4	34,4
12"	12,75 323,8	20,50 520,7	12,92 328,2	2,00 50,8	4,00 101,6	0,50 12,7	14,75 374,7	16	1,25 31,8	17,75 450,9	50,4
14"	14,0 355,6	23,00 584,2	14,18 360,2	2,12 53,8	4,38 111,3	0,50 12,7	16,75 425,5	20	1,25 31,8	20,25 514,3	70,9
16"	16,0 406,4	25,50 647,7	16,19 411,2	2,25 57,2	4,75 120,7	0,50 12,7	19,00 482,6	20	1,38 35,1	22,50 571,5	89,5
18"	18,0 457,2	28,00 711,2	18,20 462,3	2,38 60,5	5,12 130,0	0,50 12,7	21,00 533,4	24	1,38 35,1	24,75 628,7	111
20"	20,0 508	30,50 774,7	20,25 514,4	2,50 63,5	5,50 139,7	0,50 12,7	23,12 587,2	24	1,38 35,1	27,00 685,8	137
24"	24,0 609,6	36,00 914,4	24,25 616,0	2,75 69,9	6,00 152,4	0,50 12,7	27,62 701,5	24	1,62 41,1	32,00 812,8	204

ASME
B 16.5
LAP
JOINT
FLANGES
150
300

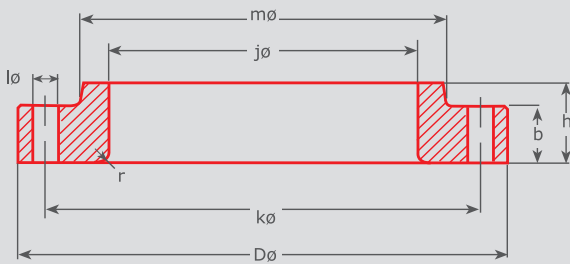
400 LB/SQ. IN.

LAP JOINT FLANGES



ASME B 16.5

Pipe		Flange					Hub	Drilling Template			Approx. Weight
Nom. Size DN	OD in. mm	D in. mm	J in. mm	b in. mm	h in. mm	r in. mm	m in. mm	Number	I in. mm	k in. mm	Kilo
1/2"	0,84 21,3										
3/4"	1,05 26,7										
1"	1,315 33,4										
1 1/4"	1,66 42,2										
1 1/2"	1,90 48,3										
2"	2,375 60,3										
2 1/2"	2,875 73,0										
3"	3,50 88,9										
3 1/2"	4,00 101,6										
Use 600 Ib dimensions for these sizes											
4 "	4,50 114,3	10,00 254,0	4,60 116,8	1,38 35,1	2,00 50,8	0,44 11,2	5,75 146,1	8	1,00 25,4	7,88 200,2	10,9
5 "	5,563 141,3	11,00 279,4	5,69 144,5	1,50 38,1	2,12 53,8	0,44 11,2	7,00 177,8	8	1,00 25,4	9,25 235,0	13,7
6 "	6,625 168,3	12,50 317,5	6,75 171,5	1,62 41,1	2,25 57,2	0,50 12,7	8,12 206,2	12	1,00 25,4	10,62 269,7	18,0
8 "	8,625 219,1	15,00 381,0	8,75 222,3	1,88 47,8	2,69 68,3	0,50 12,7	10,25 260,4	12	1,12 28,4	13,00 330,2	28,3
10 "	10,75 273	17,50 444,5	10,92 277,4	2,12 53,8	4,00 101,6	0,50 12,7	12,62 320,5	16	1,25 31,8	15,25 387,4	38,8
12 "	12,75 323,8	20,50 520,7	12,92 328,2	2,25 57,2	4,25 108,0	0,50 12,7	14,75 374,7	16	1,38 35,1	17,75 450,9	56,6
14 "	14,0 355,6	23,00 584,2	14,18 360,2	2,38 60,5	4,62 117,3	0,50 12,7	16,75 425,5	20	1,38 35,1	20,25 514,4	78,6
16 "	16,0 406,4	25,50 647,7	16,19 411,2	2,50 63,5	5,00 127,0	0,50 12,7	19,00 482,6	20	1,50 38,1	22,50 571,5	100
18 "	18,0 457,2	28,00 711,2	18,20 462,3	2,62 66,5	5,38 136,7	0,50 12,7	21,00 533,4	24	1,50 38,1	24,75 628,7	122
20 "	20,0 508	30,50 774,7	20,25 514,4	2,75 69,9	5,75 146,1	0,50 12,7	23,12 587,2	24	1,62 41,1	27,00 685,8	145
24 "	24,0 609,6	36,00 914,4	24,25 616,0	3,00 76,2	6,25 158,8	0,50 12,7	27,62 701,5	24	1,88 47,8	32,00 812,8	217



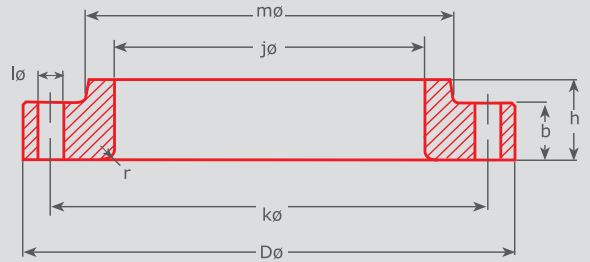
600 LB/SQ. IN. LAP JOINT FLANGES

ASME B 16.5

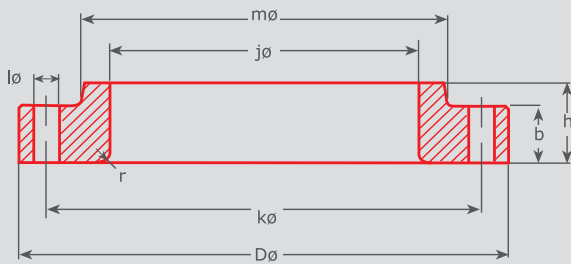
Pipe		Flange					Hub	Drilling Template			Approx. Weight
Nom. Size DN	OD in. mm	D in. mm	J in. mm	b in. mm	h in. mm	r in. mm	m in. mm	Number	I in. mm	k in. mm	Kilo
1/2"	0,84 21,3	3,75 95,3	0,90 22,9	0,56 14,2	0,88 22,4	0,12 3,0	1,50 38,1	4	0,62 15,7	2,62 66,5	0,72
3/4"	1,05 26,7	4,62 117,3	1,11 28,2	0,62 15,7	1,00 25,4	0,12 3,0	1,88 47,8	4	0,75 19,1	3,25 82,6	1,25
1"	1,315 33,4	4,88 124,0	1,38 35,1	0,69 17,5	1,06 26,9	0,12 3,0	2,12 53,8	4	0,75 19,1	3,50 88,9	1,50
1 1/4"	1,66 42,2	5,25 133,4	1,72 43,7	0,81 20,6	1,12 28,4	0,19 4,8	2,50 63,5	4	0,75 19,1	3,88 98,6	2,00
1 1/2"	1,90 48,3	6,12 155,4	1,97 50,0	0,88 22,4	1,25 31,8	0,25 6,4	2,75 69,9	4	0,88 22,4	4,50 114,3	2,92
2"	2,375 60,3	6,50 165,1	2,46 62,5	1,00 25,4	1,44 36,6	0,31 7,9	3,31 84,1	8	0,75 19,1	5,00 127,0	3,55
2 1/2"	2,875 73,0	7,50 190,5	2,97 75,4	1,12 28,4	1,62 41,1	0,31 7,9	3,94 100,1	8	0,88 22,4	5,88 149,4	5,23
3"	3,50 88,9	8,25 209,6	3,60 91,4	1,25 31,8	1,81 46,0	0,38 9,7	4,62 117,3	8	0,88 22,4	6,62 168,1	6,95
3 1/2"	4,00 101,6	9,00 228,6	4,10 104,1	1,38 35,1	1,94 49,3	0,38 9,7	5,25 133,4	8	1,00 25,4	7,25 184,2	8,78
4"	4,50 114,3	10,75 273,1	4,60 116,8	1,50 38,1	2,12 53,8	0,44 11,2	6,00 152,4	8	1,00 25,4	8,50 215,9	14,4
5"	5,563 141,3	13,00 330,2	5,69 144,5	1,75 44,5	2,38 60,5	0,44 11,2	7,44 189,0	8	1,12 28,4	10,50 266,7	24,3
6"	6,625 168,3	14,00 355,6	6,75 171,5	1,88 47,8	2,62 66,5	0,50 12,7	8,75 222,3	12	1,12 28,4	11,50 292,1	28,5
8"	8,625 219,1	16,50 419,1	8,75 222,3	2,19 55,6	3,00 76,2	0,50 12,7	10,75 273,1	12	1,25 31,8	13,75 349,3	43,1
10"	10,75 273	20,00 508,0	10,92 277,4	2,50 63,5	4,38 111,3	0,50 12,7	13,50 342,9	16	1,38 35,1	17,00 431,8	70,5
12"	12,75 323,8	22,00 558,8	12,92 328,2	2,62 66,5	4,62 117,3	0,50 12,7	15,75 400,1	20	1,38 35,1	19,25 489,0	86,1
14"	14,0 355,6	23,75 603,3	14,18 360,2	2,75 69,9	5,00 127,0	0,50 12,7	17,00 431,8	20	1,50 38,1	20,75 527,1	100
16"	16,0 406,4	27,00 685,8	16,19 411,2	3,00 76,2	5,50 139,7	0,50 12,7	19,50 495,3	20	1,62 41,1	23,75 603,3	145
18"	18,0 457,2	29,25 743,0	18,20 462,3	3,25 82,6	6,00 152,4	0,50 12,7	21,50 546,1	20	1,75 44,5	25,75 654,1	177
20"	20,0 508	32,00 812,8	20,25 514,4	3,50 88,9	6,50 165,1	0,50 12,7	24,00 609,6	24	1,75 44,5	28,50 723,9	225
24"	24,0 609,6	37,00 939,8	24,25 616,0	4,00 101,6	7,25 184,2	0,50 12,7	28,25 717,6	24	2,00 50,8	33,00 838,2	318

900 LB/SQ. IN. LAP JOINT FLANGES

ASME B 16.5



Pipe		Flange					Hub	Drilling Template			Approx. Weight
Nom. Size DN	OD in. mm	D in. mm	J in. mm	b in. mm	h in. mm	r in. mm	m in. mm	Number	I in. mm	k in. mm	Kilo
1/2"	0,84 21,3										
3/4"	1,05 26,7										
1"	1,315 33,4										
1 1/4"	1,66 42,2										
1 1/2"	1,90 48,3										
2"	2,375 60,3										
2 1/2"	2,875 73,0										
Use 1500 Ib dimensions for these sizes											
3 "	3,50 88,9	9,50 241,3	3,60 91,4	1,50 38,1	2,12 53,8	0,38 9,7	5,00 127,0	8	1,00 25,4	7,50 190,5	11,3
4 "	4,50 114,3	11,50 292,1	4,60 116,8	1,75 44,5	2,75 69,9	0,44 11,2	6,25 158,8	8	1,25 31,8	9,25 235	19,2
5 "	5,563 141,3	13,75 349,3	5,69 144,5	2,00 50,8	3,12 79,2	0,44 11,2	7,50 190,5	8	1,38 35,1	11,00 279,4	31,2
6 "	6,625 168,3	15,00 381,0	6,75 171,5	2,19 55,6	3,38 85,9	0,50 12,7	9,25 235	12	1,25 31,8	12,50 317,5	40,5
8 "	8,625 219,1	18,50 469,9	8,75 222,2	2,50 63,5	4,50 114,3	0,50 12,7	11,75 298,5	12	1,50 38,1	15,50 393,7	71,5
10 "	10,75 273	21,50 546,1	10,92 277,4	2,75 69,9	5,00 127,0	0,50 12,7	14,50 368,3	16	1,50 38,1	18,50 469,9	104
12 "	12,75 323,8	24,00 609,6	12,92 328,2	3,12 79,2	5,62 142,7	0,50 12,7	16,50 419,1	20	1,50 38,1	21,00 533,4	139
14 "	14,0 355,6	25,25 641,3	14,18 360,2	3,38 85,9	6,12 155,4	0,50 12,7	17,75 450,9	20	1,62 41,1	22,00 558,8	161
16 "	16,0 406,4	27,75 704,9	16,19 411,2	3,50 88,9	6,50 165,1	0,50 12,7	20,00 508,0	20	1,75 44,5	24,25 616	194
18 "	18,0 457,2	31,00 787,4	18,20 462,3	4,00 101,6	7,50 190,5	0,50 12,7	22,25 565,2	20	2,00 50,8	27,00 685,8	267
20 "	20,0 508	33,75 857,3	20,25 514,4	4,25 108	8,25 209,6	0,50 12,7	24,50 622,3	20	2,12 53,8	29,50 749,3	334
24 "	24,0 609,6	41,00 1041,4	24,25 616	5,50 139,7	10,50 266,7	0,50 12,7	29,50 749,3	20	2,62 66,5	35,50 901,7	618



1500 LB/SQ. IN. LAP JOINT FLANGES

ASME B 16.5

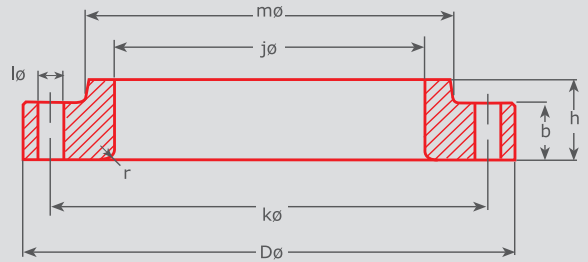
Pipe		Flange					Hub	Drilling Template			Approx. Weight
Nom. Size DN	OD in. mm	D in. mm	J in. mm	b in. mm	h in. mm	r in. mm	m in. mm	Number	r in. mm	k in. mm	Kilo
1/2"	0,84 21,3	4,75 120,7	0,90 22,9	0,88 22,4	1,25 31,8	0,12 3,0	1,50 38,1	4	0,88 22,4	3,25 82,6	1,71
3/4"	1,05 26,7	5,12 130,0	1,11 28,2	1,00 25,4	1,38 35,1	0,12 3,0	1,75 44,5	4	0,88 22,4	3,50 88,9	2,30
1"	1,315 33,4	5,88 149,4	1,38 35,1	1,12 28,4	1,62 41,1	0,12 3,0	2,06 52,3	4	1,00 25,4	4,00 101,6	3,40
1 1/4"	1,66 42,2	6,25 158,8	1,72 43,7	1,12 28,4	1,62 41,1	0,19 4,8	2,50 63,5	4	1,00 25,4	4,38 111,3	3,85
1 1/2"	1,90 48,3	7,00 177,8	1,97 50,0	1,25 31,8	1,75 44,5	0,25 6,4	2,75 69,9	4	1,12 28,4	4,88 124	5,28
2"	2,375 60,3	8,50 215,9	2,46 62,5	1,50 38,1	2,25 57,2	0,31 7,9	4,12 104,6	8	1,00 25,4	6,50 165,1	9,78
2 1/2"	2,875 73,0	9,62 244,3	2,97 75,4	1,62 41,1	2,50 63,5	0,31 7,9	4,88 124	8	1,12 28,4	7,50 190,5	13,6
3 "	3,50 88,9	10,50 266,7	3,60 91,4	1,88 47,8	2,88 73,2	0,38 9,7	5,25 133,4	8	1,25 31,8	8,00 203,2	17,8
4 "	4,50 114,3	12,25 311,2	4,60 116,8	2,12 53,8	3,56 90,4	0,44 11,2	6,38 162,1	8	1,38 35,1	9,50 241,3	27,5
5 "	5,563 141,3	14,75 374,7	5,69 144,5	2,88 73,2	4,12 104,6	0,44 11,2	7,75 196,9	8	1,62 41,1	11,50 292,1	51,5
6 "	6,625 168,3	15,50 393,7	6,75 171,5	3,25 82,6	4,69 119,1	0,50 12,7	9,00 228,6	12	1,50 38,1	12,50 317,5	62,0
8 "	8,625 219,1	19,00 482,6	8,75 222,3	3,62 91,9	5,62 142,7	0,50 12,7	11,50 292,1	12	1,75 44,5	15,50 393,7	105
10 "	10,75 273	23,00 584,2	10,92 277,4	4,25 108	7,00 177,8	0,50 12,7	14,50 368,3	12	2,00 50,8	19,00 482,6	179
12 "	12,75 323,8	26,50 673,1	12,92 328,2	4,88 124	8,62 218,9	0,50 12,7	17,75 450,9	16	2,12 53,8	22,50 571,5	269
14 "	14,0 355,6	29,50 749,3	14,18 360,2	5,25 133,4	9,50 241,3	0,50 12,7	19,50 495,3	16	2,38 60,5	25,00 635,0	365
16 "	16,0 406,4	32,50 825,5	16,19 411,2	5,75 146,1	10,25 260,4	0,50 12,7	21,75 552,5	16	2,62 66,5	27,75 704,9	459
18 "	18,0 457,2	36,00 914,4	18,20 462,3	6,38 162,1	10,88 276,4	0,50 12,7	23,50 596,9	16	2,88 73,2	30,50 774,7	598
20 "	20,0 508	38,75 984,3	20,25 514,4	7,00 177,8	11,50 292,1	0,50 12,7	25,25 641,4	16	3,12 79,2	32,75 831,9	712
24 "	24,0 609,6	46,00 1168,4	24,25 616	8,00 203,2	13,00 330,2	0,50 12,7	30,00 762,0	16	3,62 91,9	39,00 990,6	1090

ASME
B 16.5
LAP
JOINT
FLANGES
900
1500

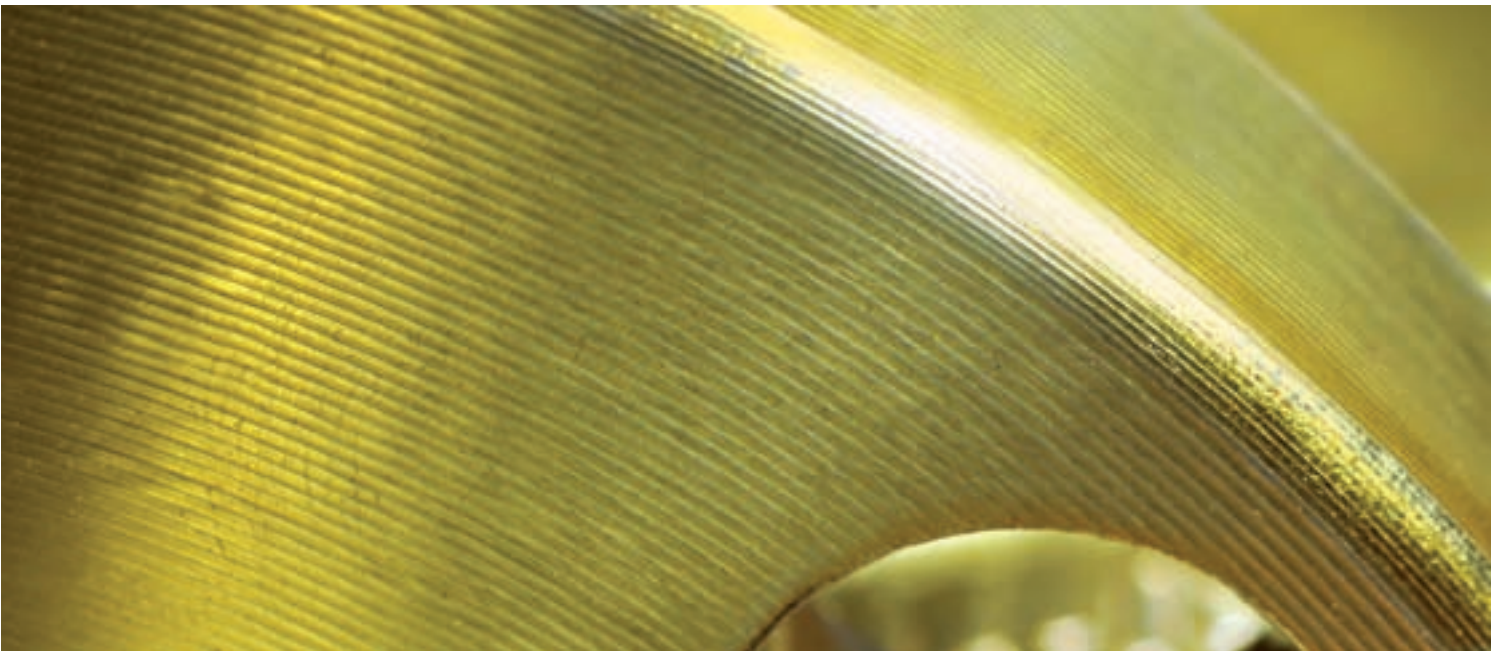
2500 LB/SQ. IN.

LAP JOINT FLANGES

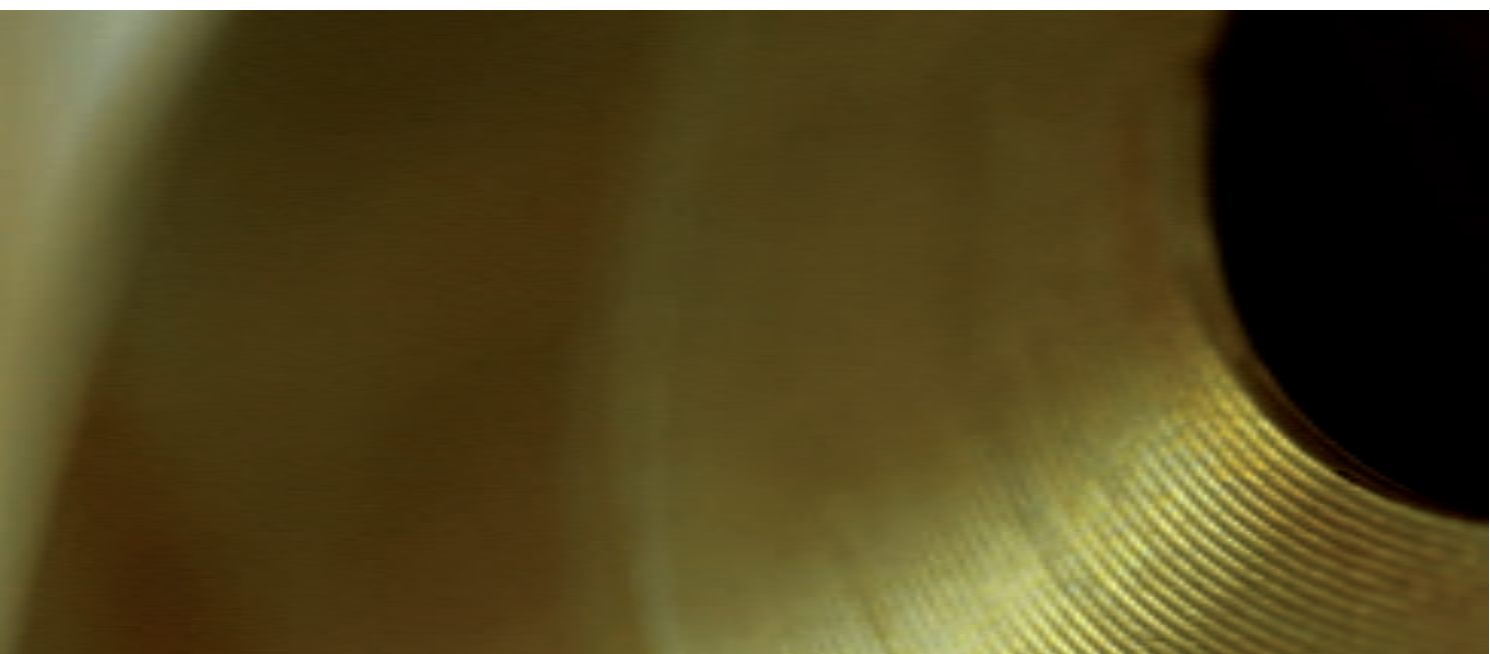
ASME B 16.5



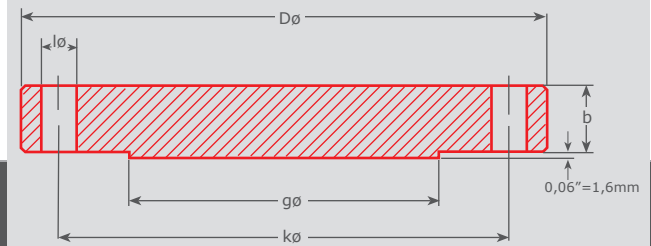
Pipe		Flange					Hub	Drilling Template			Approx. Weight
Nom. Size DN	OD in. mm	D in. mm	J in. mm	b in. mm	h in. mm	r in. mm	m in. mm	Number	I in. mm	k in. mm	Kilo
1/2"	0,84 21,3	5,25 133,4	0,90 22,9	1,19 30,2	1,56 39,6	0,12 3,0	1,69 42,9	4	0,88 22,4	3,50 88,9	2,92
3/4"	1,05 26,7	5,50 139,7	1,11 28,2	1,25 31,8	1,69 42,9	0,12 3,0	2,00 50,8	4	0,88 22,4	3,75 95,3	3,40
1"	1,315 33,4	6,25 158,8	1,38 35,1	1,38 35,1	1,88 47,8	0,12 3,0	2,25 57,2	4	1,00 25,4	4,25 108,0	4,77
1 1/4"	1,66 42,2	7,25 184,2	1,72 43,7	1,50 38,1	2,06 52,3	0,19 4,8	2,88 73,2	4	1,12 28,4	5,12 130,0	7,08
1 1/2"	1,90 48,3	8,00 203,2	1,97 50,0	1,75 44,5	2,38 60,5	0,25 6,4	3,12 79,2	4	1,25 31,8	5,75 146,1	9,93
2"	2,375 60,3	9,25 235,0	2,46 62,5	2,00 50,8	2,75 69,9	0,31 7,9	3,75 95,3	8	1,12 28,4	6,75 171,5	14,7
2 1/2"	2,875 73,0	10,50 266,7	2,97 75,4	2,25 57,2	3,12 79,2	0,31 7,9	4,50 114,3	8	1,25 31,8	7,75 196,9	21,3
3"	3,50 88,9	12,00 304,8	3,60 91,4	2,62 66,5	3,62 91,9	0,38 9,7	5,25 133,4	8	1,38 35,1	9,00 228,6	32,3
4"	4,50 114,3	14,00 355,6	4,60 116,8	3,00 76,2	4,25 108,0	0,44 11,2	6,50 165,1	8	1,62 41,1	10,75 273,1	52,5
5"	5,563 141,3	16,50 419,1	5,69 144,5	3,62 91,9	5,12 130,0	0,44 11,2	8,00 203,2	8	1,88 47,8	12,75 323,9	82,6
6"	6,625 168,3	19,00 482,6	6,75 171,5	4,25 108,0	6,00 152,4	0,50 12,7	9,25 235,0	8	2,12 53,8	14,50 368,3	127
8"	8,625 219,1	21,75 552,5	8,75 222,3	5,00 127,0	7,00 177,8	0,50 12,7	12,00 304,8	12	2,12 53,8	17,25 438,2	186
10"	10,75 273	26,50 673,1	10,92 277,4	6,50 165,1	9,00 228,6	0,50 12,7	14,75 374,7	12	2,62 66,5	21,25 539,8	352
12"	12,75 323,8	30,00 762,0	12,92 328,2	7,25 184,2	10,00 254,0	0,50 12,7	17,38 441,5	12	2,88 73,2	24,38 619,3	501



BLIND FLANGES ACC. TO ASME B 16.5

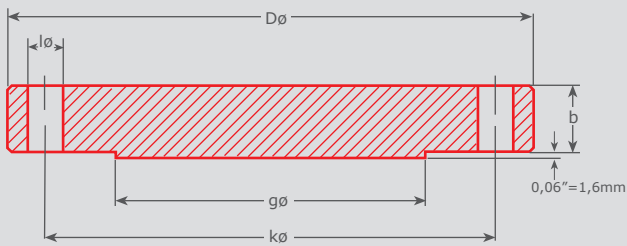


150 LB/SQ. IN. BLIND FLANGES



ASME B 16.5

Pipe		Flange		Raised Face	Drilling Template			Approx. Weight
Nominal Size DN	OD in. mm	D in. mm	b in. mm	g in. mm	Number	I in. mm	k in. mm	Kilo
1/2"	0,84 21,3	3,50 88,9	0,38 9,6	1,38 35,1	4	0,62 15,7	2,38 60,5	0,42
3/4"	1,05 26,7	3,88 98,6	0,44 11,1	1,69 42,9	4	0,62 15,7	2,75 69,9	0,61
1"	1,315 33,4	4,25 108,0	0,5 12,6	2,00 50,8	4	0,62 15,7	3,12 79,2	0,86
1 1/4"	1,66 42,2	4,62 117,3	0,56 14,1	2,50 63,5	4	0,62 15,7	3,50 88,9	1,17
1 1/2"	1,90 48,3	5,00 127,0	0,63 15,9	2,88 73,2	4	0,62 15,7	3,88 98,6	1,53
2"	2,375 60,3	6,00 152,4	0,69 17,5	3,62 91,9	4	0,75 19,1	4,75 120,7	2,42
2 1/2"	2,875 73,0	7,00 177,8	0,82 20,8	4,12 104,6	4	0,75 19,1	5,50 139,7	3,94
3"	3,50 88,9	7,50 190,5	0,88 22,3	5,00 127,0	4	0,75 19,1	6,00 152,4	4,93
3 1/2"	4,00 101,6	8,50 215,9	0,88 22,3	5,50 139,7	8	0,75 19,1	7,00 177,8	6,17
4 "	4,50 114,3	9,00 228,6	0,88 22,3	6,19 157,2	8	0,75 19,1	7,50 190,5	7,00
5 "	5,563 141,3	10,00 254,0	0,88 22,3	7,31 185,7	8	0,88 22,4	8,50 215,9	8,63
6 "	6,625 168,3	11,00 279,4	0,94 23,8	8,50 215,9	8	0,88 22,4	9,50 241,3	11,3
8 "	8,625 219,1	13,50 342,9	1,06 26,8	10,62 269,7	8	0,88 22,4	11,75 298,5	19,6
10 "	10,75 273	16,00 406,4	1,13 28,6	12,75 323,8	12	1,00 25,4	14,25 362,0	28,8
12 "	12,75 323,8	19,00 482,6	1,19 30,2	15,00 381,0	12	1,00 25,4	17,00 431,8	43,2
14 "	14,0 355,6	21,00 533,4	1,32 33,5	16,25 412,8	12	1,12 28,4	18,75 476,3	58,1
16 "	16,0 406,4	23,50 596,9	1,38 35	18,50 469,9	16	1,12 28,4	21,25 539,8	76,0
18 "	18,0 457,2	25,00 635,0	1,5 38	21,00 533,4	16	1,25 31,8	22,75 577,9	93,7
20 "	20,0 508	27,50 698,5	1,63 41,3	23,00 584,2	20	1,25 31,8	25,00 635,0	122
24 "	24,0 609,6	32,00 812,8	1,82 46,2	27,25 692,2	20	1,38 35,1	29,50 749,3	185



300 LB/SQ. IN.

BLIND FLANGES

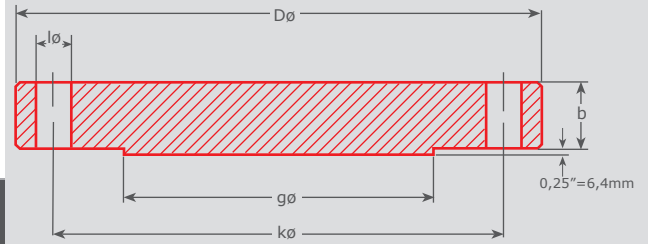
ASME B 16.5

Pipe		Flange		Raised Face	Drilling Template			Approx. Weight
Nominal Size DN	OD in. mm	D in. mm	b in. mm	g in. mm	Number	I in. mm	k in. mm	Kilo
1/2"	0,84 21,3	3,75 95,2	0,5 12,6	1,38 35,1	4	0,62 15,7	2,62 66,6	0,64
3/4"	1,05 26,7	4,62 117,3	0,56 14,2	1,69 42,9	4	0,75 19,1	3,25 82,6	1,11
1"	1,315 33,4	4,88 124	0,63 15,9	2,00 50,8	4	0,75 19,1	3,50 88,9	1,39
1 1/4"	1,66 42,2	5,25 133,4	0,69 17,5	2,50 63,5	4	0,75 19,1	3,88 98,6	1,79
1 1/2"	1,90 48,3	6,12 155,4	0,75 19	2,88 73,2	4	0,88 22,4	4,50 114,3	2,66
2"	2,375 60,3	6,50 165,1	0,82 20,8	3,62 91,9	8	0,75 19,1	5,00 127,0	3,18
2 1/2"	2,875 73,0	7,50 190,5	0,94 23,8	4,12 104,6	8	0,88 22,4	5,88 149,4	4,85
3"	3,50 88,9	8,25 209,5	1,06 26,8	5,00 127,0	8	0,88 22,4	6,62 168,1	6,81
3 1/2"	4,00 101,6	9,00 228,6	1,13 28,6	5,50 139,7	8	0,88 22,4	7,25 184,2	8,71
4 "	4,50 114,3	10,00 254,0	1,19 30,2	6,19 157,2	8	0,88 22,4	7,88 200,2	11,5
5 "	5,563 141,3	11,00 279,4	1,32 33,5	7,31 185,7	8	0,88 22,4	9,25 235	15,6
6 "	6,625 168,3	12,50 317,5	1,38 35	8,50 215,9	12	0,88 22,4	10,62 269,7	20,9
8 "	8,625 219,1	15,00 381,0	1,56 39,5	10,62 269,7	12	1,00 25,4	13,00 330,2	34,3
10 "	10,75 273	17,50 444,5	1,82 46,2	12,75 323,8	16	1,12 28,4	15,25 387,4	53,3
12 "	12,75 323,8	20,50 520,7	1,94 49,2	15,00 381,0	16	1,25 31,8	17,75 450,9	78,8
14 "	14,0 355,6	23,00 584,2	2,06 52,2	16,25 412,8	20	1,25 31,8	20,25 514,4	105
16 "	16,0 406,4	25,50 647,7	2,19 55,6	18,50 469,9	20	1,38 35,1	22,50 571,5	137
18 "	18,0 457,2	28,00 711,2	2,32 58,9	21,00 533,4	24	1,38 35,1	24,75 628,7	175
20 "	20,0 508	30,50 774,7	2,44 61,9	23,00 584,2	24	1,38 35,1	27,00 685,8	221
24 "	24,0 609,6	36,00 914,4	2,69 68,3	27,25 692,2	24	1,62 41,1	32,00 812,8	339

ASME
B 16.5
BLIND
FLANGES
150
300

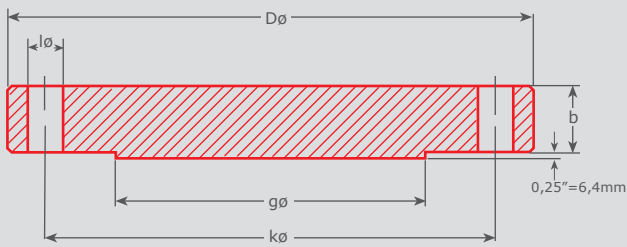
400 LB/SQ. IN.

BLIND FLANGES



ASME B 16.5

Pipe		Flange		Raised Face	Drilling Template			Approx. Weight
Nominal Size DN	OD in. mm	D in. mm	b in. mm	g in. mm	Number	I in. mm	k in. mm	Kilo
1/2"	0,84 21,3							
3/4"	1,05 26,7							
1"	1,315 334							
1 1/4"	1,66 422							
1 1/2"	1,90 48,3							
2"	2,375 60,3							
2 1/2"	2,875 73,0							
3"	3,50 66,9							
3 1/2"	4,00 101,6							
Use 600 Ib dimensions for these sizes								
4 "	4,50 114,3	10,00 254,0	1,38 35,1	6,19 157,2	8	1,00 25,4	7,66 200,2	13,7
5 "	5,563 141,3	11,00 279,4	1,50 38,1	7,31 185,7	8	1,00 25,4	9,25 2350	16,5
6 "	6,625 166,3	12,50 317,5	1,62 41,1	6,50 215,9	12	1,00 25,4	10,62 269,7	25,5
8 "	6,625 219,1	15,00 361,0	1,66 47,6	10,62 269,7	12	1,12 26,4	13,00 330,2	42,6
10 "	10,75 273	17,50 444,5	2,12 53,8	12,75 323,8	16	1,25 31,8	15,25 387,4	64,5
12 "	12,75 323,8	20,50 520,7	2,25 57,2	15,00 361,0	16	1,38 35,1	17,75 450,9	94,3
14 "	14,0 355,6	23,00 584,2	2,38 60,5	16,25 412,8	20	1,38 35,1	20,25 514,4	124
16 "	16,0 406,4	25,50 647,7	2,50 63,5	16,50 469,9	20	1,50 38,1	22,50 571,5	162
18 "	16,0 457,2	28,00 711,2	2,62 66,5	21,00 533,4	24	1,50 38,1	24,75 628,7	205
20 "	20,0 508	30,50 774,7	2,75 69,9	23,00 584,2	24	1,62 41,1	27,00 665,8	254
24 "	24,0 609,6	36,00 914,4	3,00 76,2	27,25 692,2	24	1,68 47,6	32,00 612,8	386



600 LB/SQ. IN.

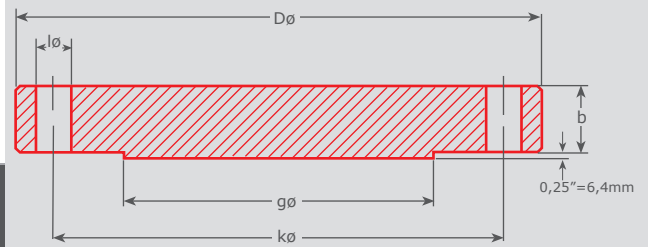
BLIND FLANGES

ASME B 16.5

Pipe		Flange		Raised Face	Drilling Template			Approx. Weight
Nominal Size DN	OD in. mm	D in. mm	b in. mm	g in. mm	Number	I in. mm	k in. mm	Kilo
1/2"	0,84 21,3	3,75 95,3	0,56 14,2	1,38 35,1	4	0,62 15,7	2,62 66,6	0,76
3/4"	1,05 26,7	4,62 117,3	0,62 15,8	1,69 42,9	4	0,75 19,1	3,25 82,6	1,28
1"	1,315 33,4	4,88 124,0	0,69 17,5	2,00 50,8	4	0,75 19,1	3,50 88,9	1,60
1 1/4"	1,66 42,2	5,25 133,4	0,81 20,6	2,50 63,5	4	0,75 19,1	3,88 98,6	2,23
1 1/2"	1,90 48,3	6,12 155,4	0,88 22,4	2,88 73,2	4	0,88 22,4	4,50 114,3	3,25
2"	2,375 60,3	6,50 165,1	1,00 25,4	3,62 91,9	8	0,75 19,1	5,00 127,0	4,15
2 1/2"	2,875 73,0	7,50 190,5	1,12 28,4	4,12 104,6	8	0,88 22,4	5,88 149,4	6,13
3"	3,50 88,9	8,25 209,6	1,25 31,8	5,00 127,0	8	0,88 22,4	6,62 168,1	8,44
3 1/2"	4,00 101,6	9,00 228,6	1,38 35,1	5,50 139,7	8	1,00 25,4	7,25 184,2	11,0
4 "	4,50 114,3	10,75 273,1	1,50 38,1	6,19 157,2	8	1,00 25,4	8,50 215,9	17,3
5 "	5,563 141,3	13,00 330,2	1,75 44,5	7,31 185,7	8	1,12 28,4	10,50 266,7	29,4
6 "	6,625 168,3	14,00 355,6	1,88 47,8	8,50 215,9	12	1,12 28,4	11,50 292,1	36,1
8 "	8,625 219,1	16,50 419,1	2,19 55,6	10,62 269,7	12	1,25 31,8	13,75 349,3	58,9
10 "	10,75 273	20,00 508,0	2,50 63,5	12,75 323,8	16	1,38 35,1	17,00 431,8	97,5
12 "	12,75 323,8	22,00 558,8	2,62 66,5	15,00 381,0	20	1,38 35,1	19,25 489,0	124
14 "	14,0 355,6	23,75 603,3	2,75 69,9	16,25 412,8	20	1,50 38,1	20,75 527,1	151
16 "	16,0 406,4	27,00 685,8	3,00 76,2	18,50 469,9	20	1,62 41,1	23,75 603,3	214
18 "	18,0 457,2	29,25 743,0	3,25 82,6	21,00 533,4	20	1,75 44,5	25,75 654,1	272
20 "	20,0 508	32,00 812,8	3,50 88,9	23,00 584,2	24	1,75 44,5	28,50 723,9	349
24 "	24,0 609,6	37,00 939,8	4,00 101,6	27,25 692,2	24	2,00 50,8	33,00 838,2	533

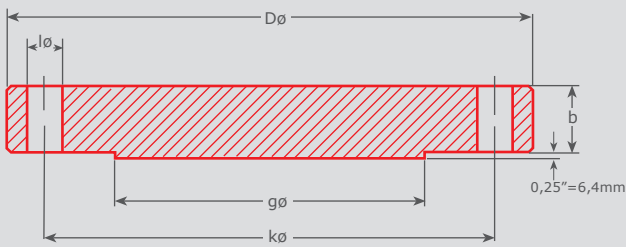
900 LB/SQ. IN.

BLIND FLANGES



ASME B 16.5

Pipe		Flange		Raised Face	Drilling Template			Approx. Weight
Nominal Size DN	OD in. mm	D in. mm	b in. mm	g in. mm	Number	I in. mm	k in. mm	Kilo
1/2"	0,84 21,3							
3/4"	1,05 26,7							
1"	1,315 33,4							
1 1/4"	1,66 42,2							
1 1/2"	1,90 48,3							
2"	2,375 60,3							
2 1/2"	2,875 73,0							
Use 1500 lb dimensions for these sizes								
3 "	3,50 88,9	9,50 241,3	1,50 38,1	5,00 127,0	8	1,00 25,4	7,50 190,5	13,1
4 "	4,50 114,3	11,50 292,1	1,75 44,5	6,19 157,2	8	1,25 31,8	9,25 235	26,9
5 "	5,563 141,3	13,75 349,3	2,00 50,8	7,31 185,7	8	1,38 35,1	11,00 279,4	36,5
6 "	6,625 168,3	15,00 381,0	2,19 55,6	8,50 215,9	12	1,25 31,8	12,50 317,5	47,4
8 "	8,625 219,1	18,50 469,9	2,50 63,5	10,62 269,7	12	1,50 38,1	15,50 393,7	82,5
10 "	10,75 273	21,50 546,1	2,75 69,9	12,75 323,8	16	1,50 38,1	18,50 469,9	122
12 "	12,75 323,8	24,00 609,6	3,12 79,2	15,00 381,0	20	1,50 38,1	21,00 533,4	173
14 "	14,0 355,6	25,25 641,4	3,38 85,9	16,25 412,8	20	1,62 41,1	22,00 558,8	206
16 "	16,0 406,4	27,75 704,9	3,50 88,9	18,50 469,9	20	1,75 44,5	24,25 616	259
18 "	18,0 457,2	31,00 787,4	4,00 101,6	21,00 533,4	20	2,00 50,8	27,00 685,8	367
20 "	20,0 508	33,75 857,2	4,25 108	23,00 584,2	20	2,12 53,8	29,50 749,3	463
24 "	24,0 609,6	41,00 1041,4	5,50 139,7	27,25 692,2	20	2,62 66,5	35,50 901,7	876



1500 LB/SQ. IN.

BLIND FLANGES

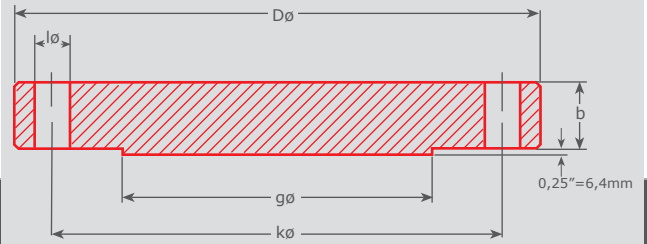
ASME B 16.5

Pipe		Flange		Raised Face	Drilling Template			Approx. Weight
Nominal Size DN	OD in. mm	D in. mm	b in. mm	g in. mm	Number	I in. mm	k in. mm	Kilo
1/2"	0,84 21,3	4,75 120,7	0,88 22,4	1,38 35,1	4	0,88 22,4	3,25 82,6	1,77
3/4"	1,05 26,7	5,12 130,0	1,00 25,4	1,69 42,9	4	0,88 22,4	3,50 88,9	2,42
1"	1,315 33,4	5,88 149,4	1,12 28,4	2,00 50,8	4	1,00 25,4	4,00 101,6	3,57
1 1/4"	1,66 42,2	6,25 158,8	1,12 28,4	2,50 63,5	4	1,00 25,4	4,38 111,3	4,14
1 1/2"	1,90 48,3	7,00 177,8	1,25 31,8	2,88 73,2	4	1,12 28,4	4,88 124	5,75
2"	2,375 60,3	8,50 215,9	1,50 38,1	3,62 91,9	8	1,00 25,4	6,50 165,1	10,1
2 1/2"	2,875 73,0	9,62 244,4	1,62 41,1	4,12 104,6	8	1,12 28,4	7,50 190,5	14,0
3 "	3,50 88,9	10,50 266,7	1,88 47,8	5,00 127,0	8	1,25 31,8	8,00 203,2	19,1
4 "	4,50 114,3	12,25 311,2	2,12 53,8	6,19 157,2	8	1,38 35,1	9,50 241,3	29,9
5 "	5,563 141,3	14,75 374,7	2,88 73,2	7,31 185,7	8	1,62 41,1	11,50 292,1	58,4
6 "	6,625 168,3	15,50 393,7	3,25 82,6	8,50 215,9	12	1,50 38,1	12,50 317,5	71,8
8 "	8,625 219,1	19,00 482,6	3,62 91,9	10,62 269,7	12	1,75 44,5	15,50 393,7	122
10 "	10,75 273	23,00 584,2	4,25 108	12,75 323,8	12	2,00 50,8	19,00 482,6	210
12 "	12,75 323,8	26,50 673,1	4,88 124	15,00 381,0	16	2,12 53,8	22,50 571,5	316
14 "	14,0 355,6	29,50 749,3	5,25 133,4	16,25 412,8	16	2,38 60,5	25,00 635,0	420
16 "	16,0 406,4	32,50 825,5	5,75 146,1	18,50 469,9	16	2,62 66,5	27,75 704,9	558
18 "	18,0 457,2	36,00 914,4	6,38 162,1	21,00 533,4	16	2,88 73,2	30,50 774,7	760
20 "	20,0 508	38,75 984,3	7,00 177,8	23,00 584,2	16	3,12 79,2	32,75 831,9	965
24 "	24,0 609,6	46,00 1168,4	8,00 203,2	27,25 692,2	16	3,62 91,9	39,00 990,6	1558

ASME
B 16.5
BLIND
FLANGES
900
1500

2500 LB/SQ. IN.

BLIND FLANGES

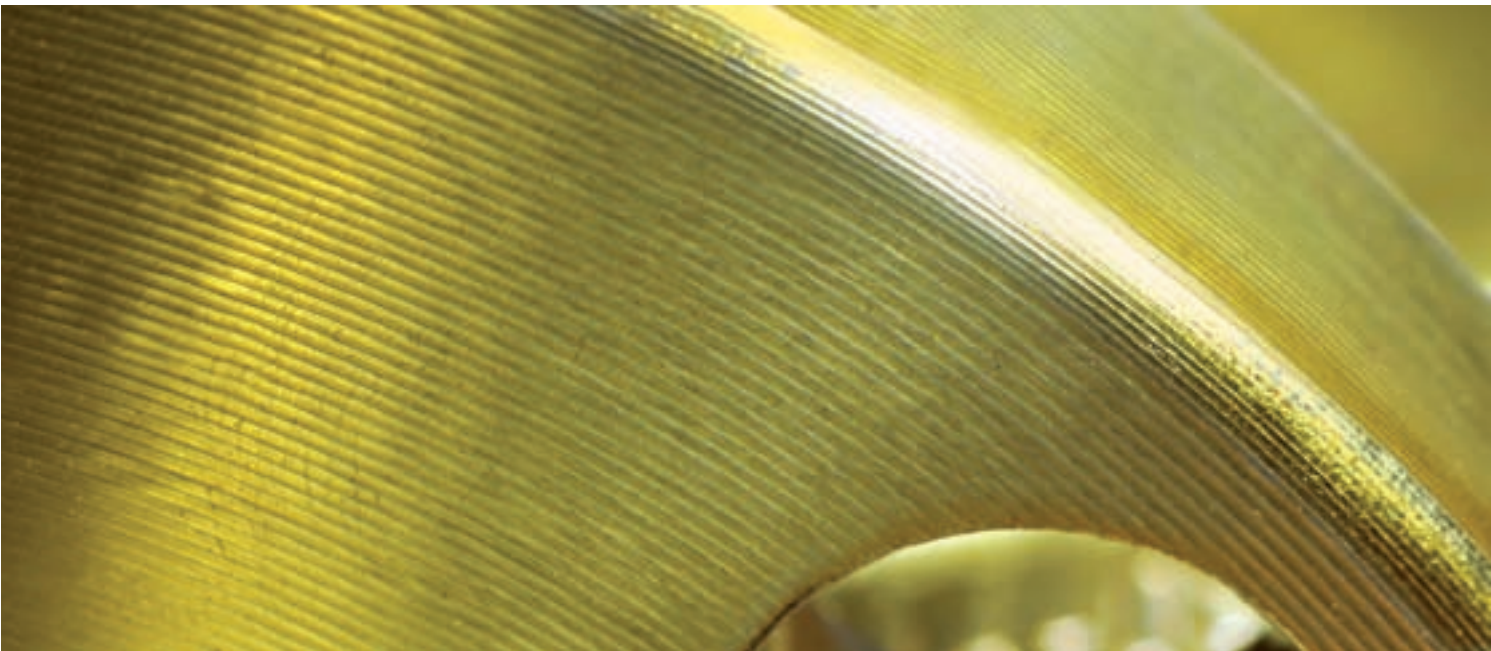


ASME B 16.5

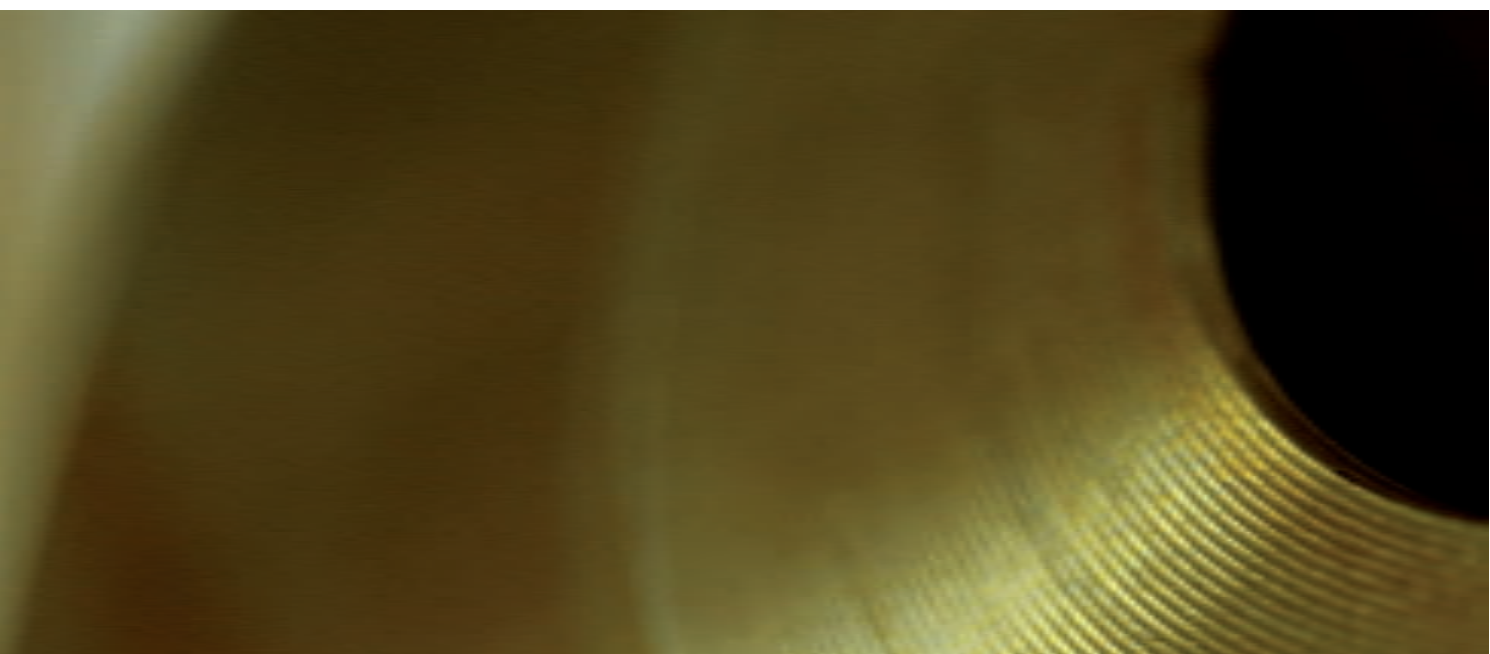
Pipe		Flange		Raised Face	Drilling Template			Approx. Weight
Nominal Size DN	OD in. mm	D in. mm	b in. mm	g in. mm	Number	I in. mm	k in. mm	Kilo
1/2"	0,84 21,3	5,25 133,4	1,19 30,2	1,38 35,1	4	0,88 22,4	3,50 88,9	2,99
3/4"	1,05 26,7	5,50 139,7	1,25 31,8	1,69 42,9	4	0,88 22,4	3,75 95,3	3,50
1"	1,315 33,4	6,25 158,8	1,38 35,1	2,00 50,8	4	1,00 25,4	4,25 108,0	4,96
1 1/4"	1,66 42,2	7,25 184,2	1,50 38,1	2,50 63,5	4	1,12 28,4	5,12 130,0	7,35
1 1/2"	1,90 48,3	8,00 203,2	1,75 44,5	2,88 73,2	4	1,25 31,8	5,75 146,1	10,4
2"	2,375 60,3	9,25 235,0	2,00 50,8	3,62 91,9	8	1,12 28,4	6,75 171,5	15,6
2 1/2"	2,875 73,0	10,50 266,7	2,25 57,2	4,12 104,6	8	1,25 31,8	7,75 196,9	22,6
3 "	3,50 88,9	12,00 304,8	2,62 66,5	5,00 127,0	8	1,38 35,1	9,00 228,6	34,8
4 "	4,50 114,3	14,00 355,6	3,00 76,2	6,19 157,2	8	1,62 41,1	10,75 273,1	53,9
5 "	5,563 141,3	16,50 419,1	3,62 91,9	7,31 185,7	8	1,88 47,8	12,75 323,8	90,8
6 "	6,625 168,3	19,00 482,6	4,25 108,0	8,50 215,9	8	2,12 53,8	14,50 368,3	141
8 "	8,625 219,1	21,75 552,5	5,00 127,0	10,62 269,7	12	2,12 53,8	17,25 438,2	214
10 "	10,75 273	26,50 673,1	6,50 165,1	12,75 323,8	12	2,62 66,5	21,25 539,8	411
12 "	12,75 323,8	30,00 762,0	7,25 184,2	15,00 381,0	12	2,88 73,2	24,38 619,3	592

ASME B 16.5

ASME
B 16.5
BLIND
FLANGES
2500



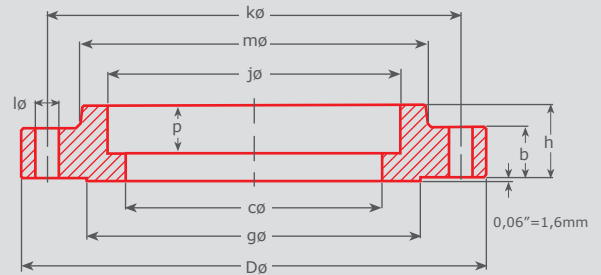
SOCKET WELDING FLANGES ACC. TO ASME B 16.5



150 LB/SQ. IN.

SOCKET WELDING FLANGES

ASME B 16.5

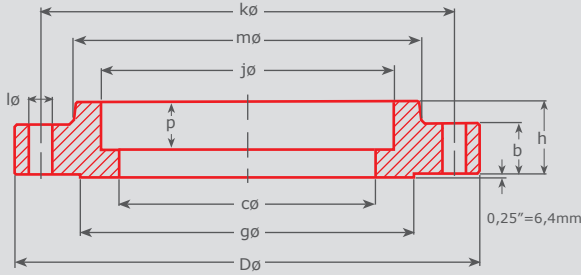


Pipe		Flange						Hub	Raised Face	Drilling Template			Approx. Weight
Nom. Size DN	OD in. mm	D in. mm	J in. mm	c in. mm	P in. mm	b in. mm	h in. mm	m in. mm	g in. mm	Number	I in. mm	k in. mm	Kilo
1/2"	0,84 21,3	3,50 88,9	0,88 22,4	0,62 15,7	0,38 9,7	0,38 9,6	0,56 14,1	1,19 30,2	1,38 35,1	4	0,62 15,7	2,38 60,5	0,42
3/4"	1,05 26,7	3,88 98,6	1,09 27,7	0,82 20,8	0,44 11,2	0,44 11,1	0,56 14,1	1,50 38,1	1,69 42,9	4	0,62 15,7	2,75 69,9	0,59
1"	1,315 33,4	4,25 108,0	1,36 34,5	1,05 26,7	0,50 12,7	0,5 12,6	0,63 15,9	1,94 49,3	2,00 50,8	4	0,62 15,7	3,12 79,2	0,81
1 1/4"	1,66 42,2	4,62 117,3	1,70 43,2	1,38 35,1	0,56 14,2	0,56 14,1	0,75 19	2,31 58,7	2,50 63,5	4	0,62 15,7	3,50 88,9	1,07
1 1/2"	1,90 48,3	5,00 127,0	1,95 49,5	1,61 40,9	0,62 15,7	0,63 15,9	0,82 20,8	2,56 65,0	2,88 73,2	4	0,62 15,7	3,88 98,6	1,36
2"	2,375 60,3	6,00 152,4	2,44 62,0	2,07 52,6	0,69 17,5	0,69 17,5	0,94 23,8	3,06 77,7	3,62 91,9	4	0,75 19,1	4,75 120,7	2,10
2 1/2"	2,875 73,0	7,00 177,8	2,94 74,7	2,47 62,7	0,75 19,1	0,82 20,8	1,06 26,8	3,56 90,4	4,12 104,6	4	0,75 19,1	5,50 139,7	3,33
3"	3,50 88,9	7,50 190,5	3,57 90,7	3,07 78,0	0,81 20,6	0,88 22,3	1,13 28,6	4,25 108,0	5,00 127,0	4	0,75 19,1	6,00 152,4	3,90

300 LB/SQ. IN.

SOCKET WELDING FLANGES

Pipe		Flange						Hub	Raised Face	Drilling Template			Approx. Weight
Nom. Size DN	OD in. mm	D in. mm	J in. mm	c in. mm	P in. mm	b in. mm	h in. mm	m in. mm	g in. mm	Number	I in. mm	k in. mm	Kilo
1/2"	0,84 21,3	3,75 95,3	0,88 22,4	0,62 15,7	0,38 9,7	0,5 12,6	0,82 20,8	1,50 38,1	1,38 35,1	4	0,62 15,7	2,62 66,5	0,66
3/4"	1,05 26,7	4,62 117,3	1,09 27,7	0,82 20,8	0,44 11,2	0,56 14,1	0,94 23,8	1,88 47,8	1,69 42,9	4	0,75 19,1	3,25 82,6	1,15
1"	1,315 33,4	4,88 124	1,36 34,5	1,05 26,7	0,50 12,7	0,63 15,9	1 25,3	2,12 53,8	2,00 50,8	4	0,75 19,1	3,50 88,9	1,40
1 1/4"	1,66 42,2	5,25 133,4	1,70 43,2	1,38 35,1	0,56 14,2	0,69 17,5	1 25,3	2,50 63,5	2,50 63,5	4	0,75 19,1	3,88 98,6	1,75
1 1/2"	1,90 48,3	6,12 155,4	1,95 49,5	1,61 40,9	0,62 15,7	0,75 19	1,13 28,6	2,75 69,9	2,88 73,2	4	0,88 22,4	4,50 114,3	2,55
2"	2,375 60,3	6,50 165,1	2,44 62,0	2,07 52,6	0,69 17,5	0,82 20,8	1,25 31,7	3,31 84,1	3,62 91,9	8	0,75 19,1	5,00 127,0	2,93
2 1/2"	2,875 73,0	7,50 190,5	2,94 74,7	2,47 62,7	0,75 19,1	0,94 23,8	1,44 36,5	3,94 100,1	4,12 104,6	8	0,88 22,4	5,88 149,4	4,40
3"	3,50 88,9	8,25 209,5	3,57 90,7	3,07 78,0	0,81 20,6	1,06 26,8	1,63 41,3	4,62 117,3	5,00 127,0	8	0,88 22,4	6,62 168,1	5,92



600 LB/SQ. IN. SOCKET WELDING FLANGES

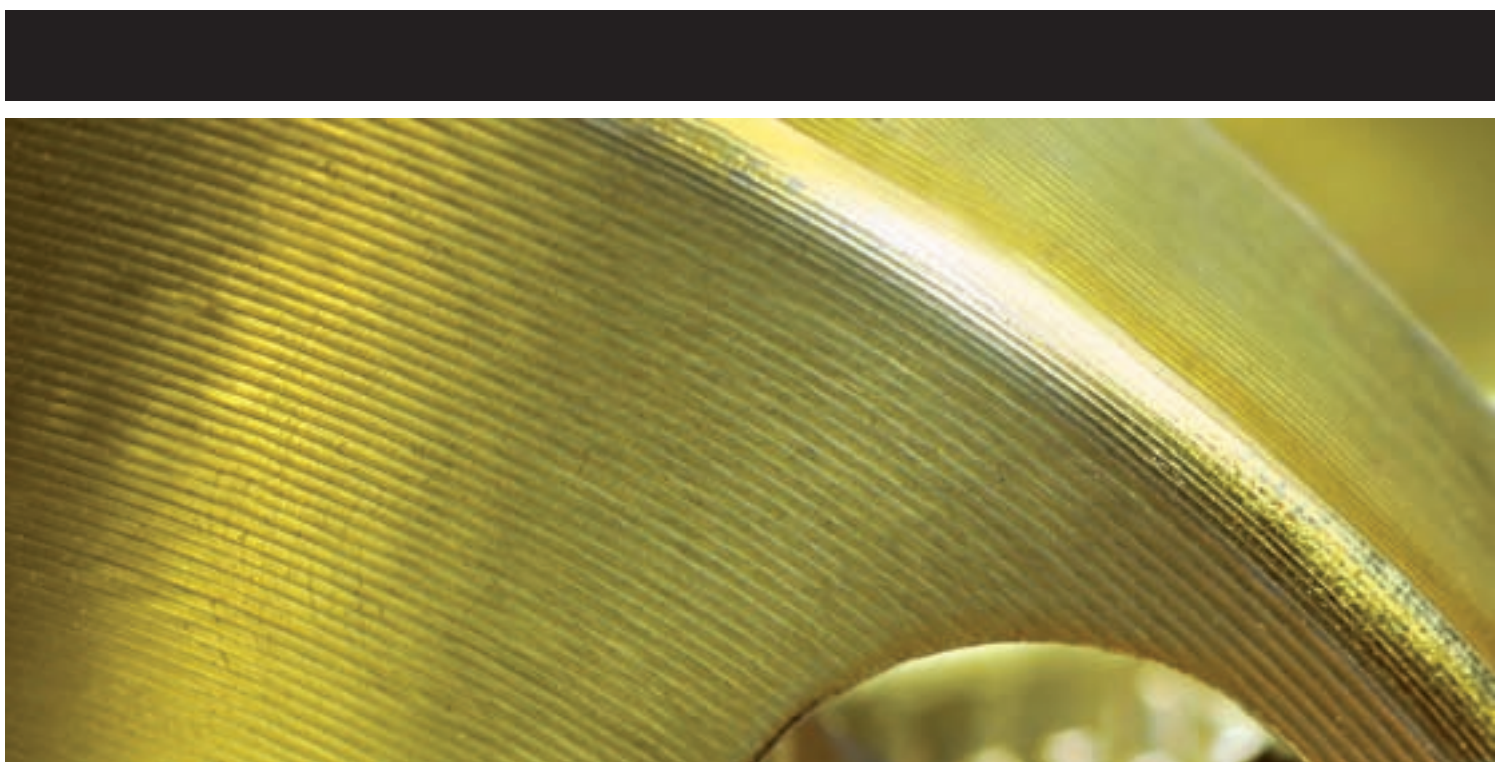
ASME B 16.5

Pipe		Flange						Hub	Raised Face	Drilling Template			Approx. Weight
Nom. Size DN	OD in. mm	D in. mm	J in. mm	c in. mm	P in. mm	b in. mm	h in. mm	m in. mm	g in. mm	Number	J in. mm	k in. mm	Kilo
1/2"	0,84 21,3	3,75 95,3	0,88 22,4	To be specified by the purchaser	0,38 9,7	0,56 14,2	0,88 22,4	1,50 38,1	1,38 35,1	4	0,62 15,7	2,62 66,5	0,76
3/4"	1,05 26,7	4,62 117,3	1,09 27,7		0,44 11,2	0,62 15,7	1,00 25,4	1,88 47,8	1,69 42,9	4	0,75 19,1	3,25 82,6	1,29
1"	1,315 33,4	4,88 124,0	1,36 34,5		0,50 12,7	0,69 17,5	1,06 26,9	2,12 53,8	2,00 50,8	4	0,75 19,1	3,50 88,9	1,55
1 1/4"	1,66 42,2	5,25 133,4	1,70 43,2		0,56 14,2	0,81 20,6	1,12 28,4	2,50 63,5	2,50 63,5	4	0,75 19,1	3,88 98,6	2,06
1 1/2"	1,90 48,3	6,12 155,4	1,95 49,5		0,62 15,7	0,88 22,4	1,25 31,8	2,75 69,9	2,88 73,2	4	0,88 22,4	4,50 114,3	3,00
2"	2,375 60,3	6,50 165,1	2,44 62,0		0,69 17,5	1,00 25,4	1,44 36,6	3,31 84,1	3,62 91,9	8	0,75 19,1	5,00 127,0	3,67
2 1/2"	2,875 73,0	7,50 190,5	2,94 74,7		0,75 19,1	1,12 28,4	1,62 41,1	3,94 100,1	4,12 104,6	8	0,88 22,4	5,88 149,4	5,35
3"	3,50 88,9	8,25 209,6	3,57 90,7		0,81 20,6	1,25 31,8	1,81 46,0	4,62 117,3	5,00 127,0	8	0,88 22,4	6,62 168,1	7,06

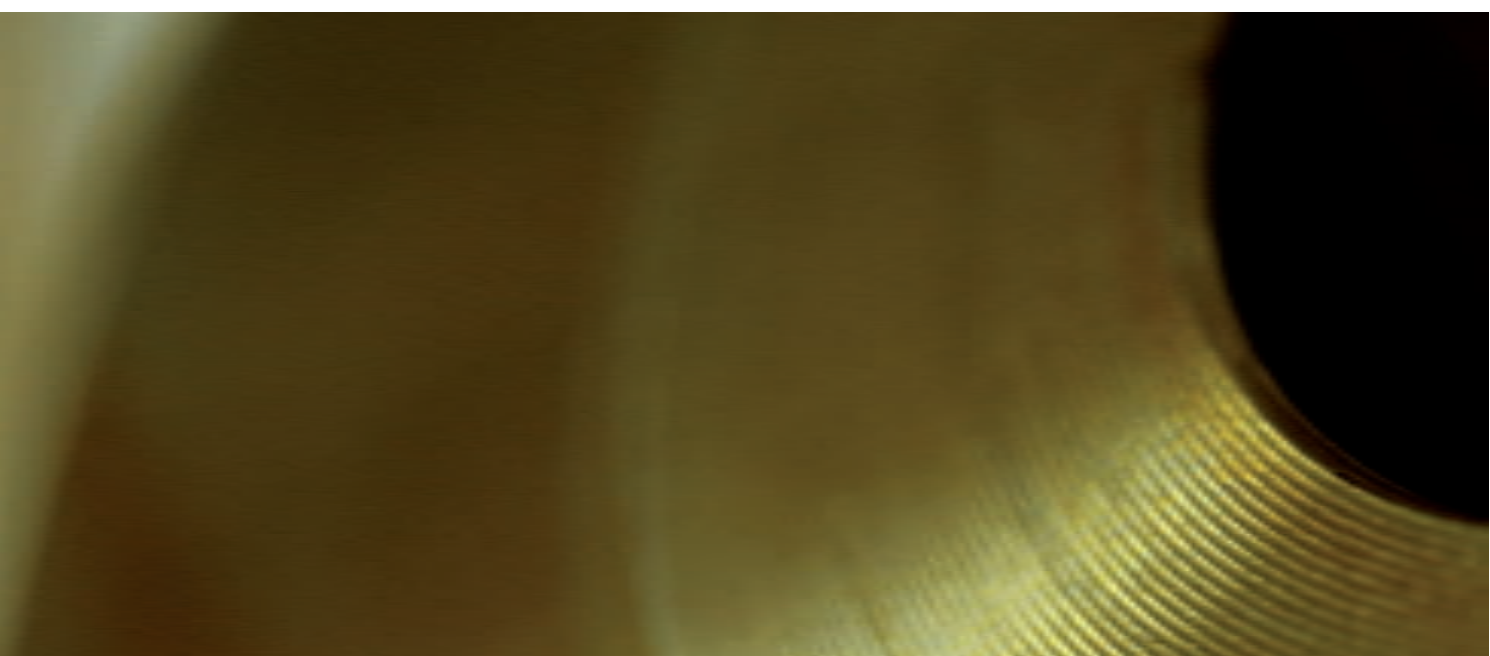
ASME B 16.5
SOCKET WELDING FLANGES

1500 LB/SQ. IN. SOCKET WELDING FLANGES

Pipe		Flange						Hub	Raised Face	Drilling Template			Approx. Weight
Nom. Size DN	OD in. mm	D in. mm	J in. mm	c in. mm	P in. mm	b in. mm	h in. mm	m in. mm	g in. mm	Number	J in. mm	k in. mm	Kilo
1/2"	0,84 21,3	4,75 120,7	0,88 22,4	To be specified by the purchaser	0,38 9,7	0,88 22,4	1,25 31,8	1,50 38,1	1,38 35,1	4	0,88 22,4	3,25 82,6	1,80
3/4"	1,05 26,7	5,12 130,0	1,09 27,7		0,44 11,2	1,00 25,4	1,38 35,1	1,75 44,5	1,69 42,9	4	0,88 22,4	3,50 88,9	2,41
1"	1,315 33,4	5,88 149,4	1,36 34,5		0,50 12,7	1,12 28,4	1,62 41,1	2,06 52,3	2,00 50,8	4	1,00 25,4	4,00 101,6	3,55
1 1/4"	1,66 42,2	6,25 158,8	1,70 43,2		0,56 14,2	1,12 28,4	1,62 41,1	2,50 63,5	2,50 63,5	4	1,00 25,4	4,38 111,3	4,02
1 1/2"	1,90 48,3	7,00 177,8	1,95 49,5		0,62 15,7	1,25 31,8	1,75 44,5	2,75 69,9	2,88 73,2	4	1,12 28,4	4,88 124	5,45
2"	2,375 60,3	8,50 215,9	2,44 62,0		0,69 17,5	1,50 38,1	2,25 57,2	4,12 104,6	3,62 91,9	8	1,00 25,4	6,50 165,1	10,2
2 1/2"	2,875 73,0	9,62 244,3	2,94 74,7		0,75 19,1	1,62 41,1	2,50 63,5	4,88 124	4,12 104,6	8	1,12 28,4	7,50 190,5	13,9

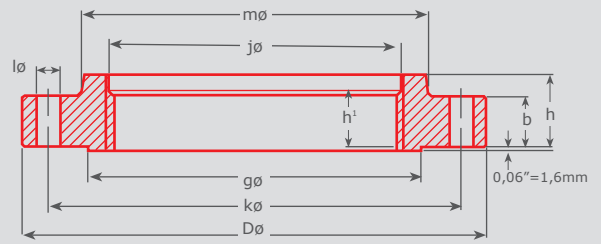


THREADED FLANGES ACC. TO ASME B 16.5



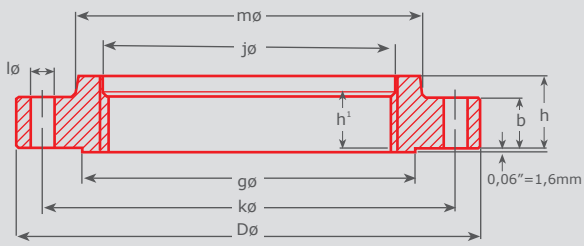
150 LB/SQ. IN. THREADED FLANGES

ASME B 16.5



Thread type: Standard taper pipe thread to ANSI B 2.1

Pipe		Flange				Hub	Raised Face	Drilling Template			Approx. Weight
Nom. Size DN	OD in. mm	D in. mm	J in. mm	b in. mm	h/h¹ in. mm	m in. mm	g in. mm	Number	I in. mm	k in. mm	Kilo
1/2"	0,84 21,3	3,50 88,9	No Counter Bore Required on 150 lb Threaded Flanges	0,38 9,6	0,56 14,1	1,19 30,2	1,38 35,1	4	0,62 15,7	2,38 60,5	0,39
3/4"	1,05 26,7	3,88 98,6		0,44 11,1	0,56 14,1	1,50 38,1	1,69 42,9	4	0,62 15,7	2,75 69,9	0,56
1"	1,315 33,4	4,25 108,0		0,5 12,6	0,63 15,9	1,94 49,3	2,00 50,8	4	0,62 15,7	3,12 79,2	0,78
1 1/4"	1,66 42,2	4,62 117,3		0,56 14,1	0,75 19	2,31 58,7	2,50 63,5	4	0,62 15,7	3,50 88,9	1,03
1 1/2"	1,90 48,3	5,00 127,0		0,63 15,9	0,82 20,8	2,56 65,0	2,88 73,2	4	0,62 15,7	3,88 98,6	1,32
2"	2,375 60,3	6,00 152,4		0,69 17,5	0,94 23,8	3,06 77,7	3,62 91,9	4	0,75 19,1	4,75 120,7	2,06
2 1/2"	2,875 73,0	7,00 177,8		0,82 20,8	1,06 26,8	3,56 90,4	4,12 104,6	4	0,75 19,1	5,50 139,7	3,28
3"	3,50 88,9	7,50 190,5		0,88 22,3	1,13 28,6	4,25 108,0	5,00 127,0	4	0,75 19,1	6,00 152,4	3,85
3 1/2"	4,00 101,6	8,50 215,9		0,88 22,3	1,19 30,2	4,81 122,2	5,50 139,7	8	0,75 19,1	7,00 177,8	4,81
4 "	4,50 114,3	9,00 228,6		0,88 22,3	1,25 31,7	5,31 134,9	6,19 157,2	8	0,75 19,1	7,50 190,5	5,30
5 "	5,563 141,3	10,00 254,0		0,88 22,3	1,38 35	6,44 163,6	7,31 185,7	8	0,88 22,4	8,50 215,9	6,07
6 "	6,625 168,3	11,00 279,4		0,94 23,8	1,5 38	7,56 192,0	8,50 215,9	8	0,88 22,4	9,50 241,3	7,45
8 "	8,625 219,1	13,50 342,9		1,06 26,8	1,69 42,9	9,69 246,1	10,62 269,7	8	0,88 22,4	11,75 298,5	12,1
10 "	10,75 273	16,00 406,4		1,13 28,6	1,88 47,7	12,00 304,8	12,75 323,8	12	1,00 25,4	14,25 362,0	16,5
12 "	12,75 323,8	19,00 482,6		1,19 30,2	2,13 54	14,38 365,3	15,00 381,0	12	1,00 25,4	17,00 431,8	26,2
14 "	14,0 355,6	21,00 533,4		1,32 33,5	2,19 55,6	15,75 400,1	16,25 412,8	12	1,12 28,4	18,75 476,3	34,6
16 "	16,0 406,4	23,50 596,9		1,38 35	2,44 61,9	18,00 457,2	18,50 469,9	16	1,12 28,4	21,25 539,8	44,8
18 "	18,0 457,2	25,00 635,0		1,5 38	2,63 66,7	19,88 505,0	21,00 533,4	16	1,25 31,8	22,75 577,9	48,9
20 "	20,0 508	27,50 698,5		1,63 41,3	2,82 71,6	22,00 558,8	23,00 584,2	20	1,25 31,8	25,00 635,0	61,9
24 "	24,0 609,6	32,00 812,8		1,82 46,2	3,19 81	26,12 663,4	27,25 692,2	20	1,38 35,1	29,50 749,3	86,9



Thread type: Standard taper pipe thread to ANSI B 2.1

300 LB/SQ. IN. THREADED FLANGES

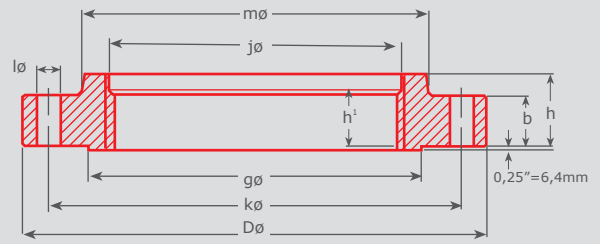
ASME B 16.5

Pipe		Flange					Hub	Raised Face	Drilling Template			Approx. Weight
Nom. Size DN	OD in. mm	D in. mm	J in. mm	b in. mm	h in. mm	h ₁ in. mm	m in. mm	g in. mm	Number	I in. mm	k in. mm	Kilo
1/2"	0,84 21,3	3,75 95,2	0,93 23,6	0,5 12,6	0,82 20,7	0,56 14,1	1,50 38,1	1,38 35,0	4	0,62 15,7	2,62 66,5	0,64
3/4"	1,05 26,7	4,62 117,3	1,14 29,0	0,56 14,1	0,94 23,8	0,56 14,1	1,88 47,8	1,69 42,9	4	0,75 19,1	3,25 82,6	1,12
1"	1,315 33,4	4,88 124	1,41 35,8	0,63 15,9	1 25,3	0,63 15,9	2,12 53,8	2,00 50,8	4	0,75 19,1	3,50 88,9	1,36
1 1/4"	1,66 42,2	5,25 133,4	1,75 44,5	0,69 17,5	1 25,3	0,75 19	2,50 63,5	2,50 63,5	4	0,75 19,1	3,88 98,6	1,68
1 1/2"	1,90 48,3	6,12 155,4	1,99 50,5	0,75 19	1,13 28,6	0,82 20,8	2,75 69,9	2,88 73,2	4	0,88 22,4	4,50 114,3	2,49
2"	2,375 60,3	6,50 165,1	2,50 63,5	0,82 20,8	1,25 31,7	1,06 26,8	3,31 84,1	3,62 91,9	8	0,75 19,1	5,00 127,0	2,87
2 1/2"	2,875 73,0	7,50 190,5	3,00 76,2	0,94 23,8	1,44 36,5	1,19 30,2	3,94 100,1	4,12 104,6	8	0,88 22,4	5,88 149,4	4,32
3"	3,50 88,9	8,25 209,6	3,63 92,2	1,06 26,8	1,63 41,3	1,19 30,2	4,62 117,3	5,00 127,0	8	0,88 22,4	6,62 168,1	5,85
3 1/2"	4,00 101,6	9,00 228,6	4,13 104,9	1,13 28,6	1,69 42,9	1,38 35	5,25 133,4	5,50 139,7	8	0,88 22,4	7,25 184,2	7,34
4"	4,50 114,3	10,00 254,0	4,63 117,6	1,19 30,2	1,82 46,2	1,38 35	5,75 146,1	6,19 157,2	8	0,88 22,4	7,88 200,2	9,61
5"	5,563 141,3	11,00 279,4	5,69 144,5	1,32 33,5	1,94 49,2	1,63 41,3	7,00 177,8	7,31 185,7	8	0,88 22,4	9,25 235	12,3
6"	6,625 168,3	12,50 317,5	6,75 171,5	1,38 35	2 50,7	1,75 44,4	8,12 206,2	8,50 215,9	12	0,88 22,4	10,62 269,7	15,6
8"	8,625 219,1	15,00 381,0	8,75 222,3	1,56 39,5	2,38 60,4	1,94 49,2	10,25 260,4	10,62 269,7	12	1,00 25,4	13,00 330,2	24,2
10"	10,75 273	17,50 444,5	10,88 276,4	1,82 46,2	2,56 64,9	2,13 54	12,62 320,5	12,75 323,8	16	1,12 28,4	15,25 387,4	34,1
12"	12,75 323,8	20,50 520,7	12,94 328,7	1,94 49,2	2,82 71,6	2,32 58,9	14,75 374,7	15,00 381,0	16	1,25 31,8	17,75 450,9	49,8
14"	14,0 355,6	23,00 584,2	14,19 360,4	2,06 52,2	2,94 74,6	2,44 61,9	16,75 425,5	16,25 412,8	20	1,25 31,8	20,25 514,4	69,9
16"	16,0 406,4	25,50 647,7	16,19 411,2	2,19 55,6	3,19 81	2,63 66,7	19,00 482,6	18,50 469,9	20	1,38 35,1	22,50 571,5	88,1
18"	18,0 457,2	28,00 711,2	18,19 462	2,32 58,9	3,44 87,3	2,69 68,3	21,00 533,4	21,00 533,4	24	1,38 35,1	24,75 628,7	109
20"	20,0 508	30,50 774,7	20,19 512,8	2,44 61,9	3,69 93,7	2,82 71,6	23,12 587,2	23,00 584,2	24	1,38 35,1	27,00 685,8	134
24"	24,0 609,6	36,00 914,4	24,19 614,4	2,69 68,3	4,13 104,8	3,19 81	27,62 701,5	27,25 692,2	24	1,62 41,1	32,00 812,8	201

ASME B 16.5
THREADED
FLANGES
150
300

400 LB/SQ. IN. THREADED FLANGES

ASME B 16.5

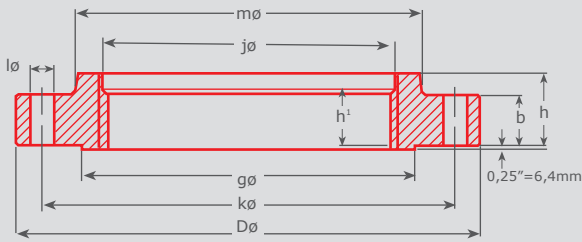


Thread type: Standard taper pipe thread to ANSI B 2.1

Pipe		Flange					Hub	Raised Face	Drilling Template			Approx. Weight
Nom. Size DN	OD in. mm	D in. mm	J in. mm	b in. mm	h in. mm	h ₁ in. mm	m in. mm	g in. mm	Number	I in. mm	k in. mm	Kilo
1/2"	0,84 21,3											
3/4"	1,05 26,7											
1"	1,315 33,4											
1 1/4"	1,66 42,2											
1 1/2"	1,90 48,3											
2"	2,375 60,3											
2 1/2"	2,875 73,0											
3"	3,50 88,9											
3 1/2"	4,00 101,6											
Use 600 Ib dimensions for these sizes												
4 "	4,50 114,3	10,00 254,0	4,63 117,6	1,38 35,1	2,00 50,8	1,44 36,6	5,75 146,1	6,19 157,2	8	1,00 25,4	7,88 200,2	11,1
5 "	5,563 141,3	11,00 279,4	5,69 144,5	1,50 38,1	2,12 53,8	1,69 42,9	7,00 177,8	7,31 185,7	8	1,00 25,4	9,25 235,0	13,9
6 "	6,625 168,3	12,50 317,5	6,75 171,5	1,62 41,1	2,25 57,2	1,81 46,0	8,12 206,2	8,50 215,9	12	1,00 25,4	10,62 269,7	18,3
8 "	8,625 219,1	15,00 381,0	8,75 222,3	1,88 47,8	2,69 68,3	2,00 50,8	10,25 260,4	10,62 269,7	12	1,12 28,4	13,00 330,2	28,6
10 "	10,75 273	17,50 444,5	10,88 276,4	2,12 53,8	2,88 73,2	2,19 55,6	12,62 320,5	12,75 323,8	16	1,25 31,8	15,25 387,4	39,2
12 "	12,75 323,8	20,50 520,7	12,94 328,7	2,25 57,2	3,12 79,2	2,38 60,5	14,75 374,7	15,00 381,0	16	1,38 35,1	17,75 450,9	57,0
14 "	14,0 355,6	23,00 584,2	14,19 360,4	2,38 60,5	3,31 84,1	2,50 63,5	16,75 425,5	16,25 412,8	20	1,38 35,1	20,25 514,4	79,1
16 "	16,0 406,4	25,50 647,7	16,19 411,2	2,50 63,5	3,69 93,7	2,69 68,3	19,00 482,6	18,50 469,9	20	1,50 38,1	22,50 571,5	101
18 "	18,0 457,2	28,00 711,2	18,19 462,0	2,62 66,5	3,88 98,6	2,75 69,9	21,00 533,4	21,00 533,4	24	1,50 38,1	24,75 628,7	123
20 "	20,0 508	30,50 774,7	20,19 512,8	2,75 69,9	4,00 101,6	2,88 73,2	23,12 587,2	23,00 584,2	24	1,62 41,1	27,00 685,8	146
24 "	24,0 609,6	36,00 914,4	24,19 614,4	3,00 76,2	4,50 114,3	3,25 82,6	27,62 701,5	27,25 692,2	24	1,88 47,8	32,00 812,8	219

600 LB/SQ. IN. THREADED FLANGES

ASME B 16.5

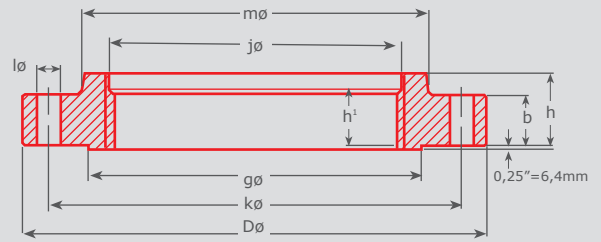


Thread type: Standard taper pipe thread to ANSI B 2.1

Pipe		Flange					Hub	Raised Face	Drilling Template			Approx. Weight
Nom. Size DN	OD In. mm	D in. mm	J in. mm	b in. mm	h in. mm	h ₁ in. mm	m in. mm	g in. mm	Number	I in. mm	k in. mm	Kilo
1/2"	0,84 21,3	3,75 95,3	0,93 23,6	0,56 14,2	0,88 22,4	0,62 15,7	1,50 38,1	1,38 35,1	4	0,62 15,7	2,62 66,5	0,74
3/4"	1,05 26,7	4,62 117,3	1,14 29,0	0,62 15,7	1,00 25,4	0,62 15,7	1,88 47,8	1,69 42,9	4	0,75 19,1	3,25 82,6	1,27
1"	1,315 33,4	4,88 124,0	1,41 35,8	0,69 17,5	1,06 26,9	0,69 17,5	2,12 53,8	2,00 50,8	4	0,75 19,1	3,50 88,9	1,52
1 1/4"	1,66 42,2	5,25 133,4	1,75 44,5	0,81 20,6	1,12 28,4	0,81 20,6	2,50 63,5	2,50 63,5	4	0,75 19,1	3,88 98,6	2,03
1 1/2"	1,90 48,3	6,12 155,4	1,99 50,5	0,88 22,4	1,25 31,8	0,88 22,4	2,75 69,9	2,88 73,2	4	0,88 22,4	4,50 114,3	2,96
2"	2,375 60,3	6,50 165,1	2,50 63,5	1,00 25,4	1,44 36,6	1,12 28,4	3,31 84,1	3,62 91,9	8	0,75 19,1	5,00 127,0	3,62
2 1/2"	2,875 73,0	7,50 190,5	3,00 76,2	1,12 28,4	1,62 41,1	1,25 31,8	3,94 100,1	4,12 104,6	8	0,88 22,4	5,88 149,4	5,28
3"	3,50 88,9	8,25 209,6	3,63 92,2	1,25 31,8	1,81 46,0	1,38 35,1	4,62 117,3	5,00 127,0	8	0,88 22,4	6,62 168,1	7,00
3 1/2"	4,00 101,6	9,00 228,6	4,13 104,9	1,38 35,1	1,94 49,3	1,56 39,6	5,25 133,4	5,50 139,7	8	1,00 25,4	7,25 184,2	8,84
4"	4,50 114,3	10,75 273,1	4,63 117,6	1,50 38,1	2,12 53,8	1,62 41,1	6,00 152,4	6,19 157,2	8	1,00 25,4	8,50 215,9	14,5
5"	5,563 141,3	13,00 330,2	5,69 144,5	1,75 44,5	2,38 60,5	1,88 47,8	7,44 189,0	7,31 185,7	8	1,12 28,4	10,50 266,7	24,4
6"	6,625 168,3	14,00 355,6	6,75 171,5	1,88 47,8	2,62 66,5	2,00 50,8	8,75 222,3	8,50 215,9	12	1,12 28,4	11,50 292,1	28,7
8"	8,625 219,1	16,50 419,1	8,75 222,3	2,19 55,6	3,00 76,2	2,25 57,2	10,75 273,1	10,62 269,7	12	1,25 31,8	13,75 349,3	43,4
10"	10,75 273	20,00 508,0	10,88 276,4	2,50 63,5	3,38 85,9	2,56 65,0	13,50 342,9	12,75 323,8	16	1,38 35,1	17,00 431,8	70,3
12"	12,75 323,8	22,00 558,8	12,94 328,7	2,62 66,5	3,62 91,9	2,75 69,9	15,75 400,1	15,00 381,0	20	1,38 35,1	19,25 489,0	84,2
14"	14,0 355,6	23,75 603,3	14,19 360,4	2,75 69,9	3,69 93,7	2,88 73,2	17,00 431,8	16,25 412,8	20	1,50 38,1	20,75 527,1	98,7
16"	16,0 406,4	27,00 685,8	16,19 411,2	3,00 76,2	4,19 106,4	3,06 77,7	19,50 495,3	18,50 469,9	20	1,62 41,1	23,75 603,3	142
18"	18,0 457,2	29,25 743,0	18,19 462,0	3,25 82,6	4,62 117,3	3,12 79,2	21,50 546,1	21,00 533,4	20	1,75 44,5	25,75 654,1	173
20"	20,0 508	32,00 812,8	20,19 512,8	3,50 88,9	5,00 127,0	3,25 82,6	24,00 609,6	23,00 584,2	24	1,75 44,5	28,50 723,9	220
24"	24,0 609,6	37,00 939,8	24,19 614,4	4,00 101,6	5,50 139,7	3,62 92,0	28,25 717,6	27,25 692,2	24	2,00 50,8	33,00 838,2	312

ASME B 16.5
THREADED
FLANGES
400
600

900 LB/SQ. IN. THREADED FLANGES



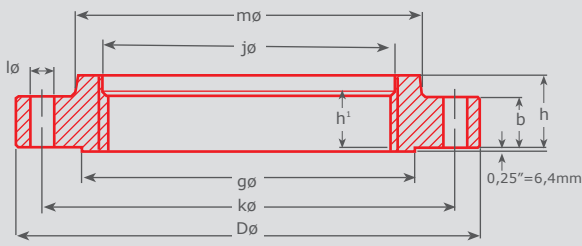
Thread type: Standard taper pipe thread to ANSI B 2.1

ASME B 16.5

Pipe		Flange					Hub	Raised Face	Drilling Template			Approx. Weight
Nom. Size DN	OD in. mm	D in. mm	J in. mm	b in. mm	h in. mm	h ₁ in. mm	m in. mm	g in. mm	Number	I in. mm	k in. mm	Kilo
1/2"	0,84 21,3											
3/4"	1,05 26,7											
1"	1,315 33,4											
1 1/4"	1,66 42,2											
1 1/2"	1,90 48,3											
2"	2,375 60,3											
2 1/2"	2,875 73,0											
Use 1500 Ib dimensions for these sizes												
3 "	3,50 88,9	9,50 241,3	3,63 92,2	1,50 38,1	2,12 53,8	1,62 41,1	5,00 127,0	5,00 127,0	8	1,00 25,4	7,50 190,5	11,6
4 "	4,50 114,3	11,50 292,1	4,63 117,6	1,75 44,5	2,75 69,8	1,88 47,8	6,25 158,7	6,19 157,2	8	1,25 31,8	9,25 235	19,7
5 "	5,563 141,3	12,75 349,3	5,69 144,5	2,00 50,8	3,12 79,2	2,12 53,8	7,50 190,5	7,31 185,7	8	1,38 35,1	11,00 279,4	31,9
6 "	6,625 168,3	15,00 381,0	6,75 171,5	2,19 55,6	3,38 85,9	2,25 57,2	9,25 235	8,50 215,9	12	1,25 31,8	12,50 317,5	41,1
8 "	8,625 219,1	18,50 469,9	8,75 222,3	2,50 63,5	4,00 101,6	2,50 63,5	11,75 298,5	10,62 269,7	12	1,50 38,1	15,50 393,7	70,7
10 "	10,75 273	21,50 546,1	10,88 276,4	2,75 69,9	4,25 108	2,81 71,4	14,50 368,3	12,75 323,8	16	1,50 38,1	18,50 469,9	101
12 "	12,75 323,8	24,00 609,6	12,94 328,7	3,12 79,3	4,62 117,3	3,00 76,2	16,50 419,1	15,00 381,0	20	1,50 38,1	21,00 533,4	133
14 "	14,0 355,6	25,25 641,4	14,19 360,4	3,38 85,9	5,12 130,0	3,25 82,6	17,75 450,9	16,25 412,8	20	1,62 41,1	22,00 558,8	153
16 "	16,0 406,4	27,75 704,9	16,19 411,2	3,50 88,9	5,25 133,4	3,38 85,9	20,00 508,0	18,50 469,9	20	1,75 44,5	24,25 616	185
18 "	18,0 457,2	31,00 787,4	18,19 462,0	4,00 101,6	6,00 152,4	3,50 88,9	22,25 565,2	21,00 533,4	20	2,00 50,8	27,00 685,8	258
20 "	20,0 508	33,75 857,3	20,19 512,8	4,25 108	6,25 158,8	3,62 91,9	24,50 622,3	23,00 584,2	20	2,12 53,8	29,50 749,3	317
24 "	24,0 609,6	41,00 1041,4	24,19 614,4	5,50 139,7	8,00 203,2	4,00 101,6	29,50 749,3	27,25 692,2	20	2,62 66,5	35,50 901,7	606

1500 LB/SQ. IN. THREADED FLANGES

ASME B 16.5



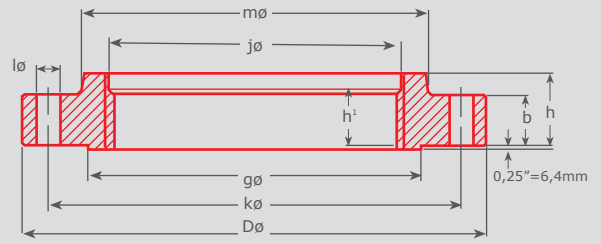
Thread type: Standard taper pipe thread to ANSI B 2.1

Pipe		Flange					Hub	Raised Face	Drilling Template			Approx. Weight
Nom. Size DN	OD in. mm	D in. mm	J in. mm	b in. mm	h in. mm	h, in. mm	m in. mm	g in. mm	Number	I in. mm	k in. mm	Kilo
1/2"	0,84 21,3	Use 1500 lb dimensions for these sizes										
3/4"	1,05 26,7											
1"	1,315 33,4											
1 1/4"	1,66 42,2											
1 1/2"	1,90 48,3											
2"	2,375 60,3											
2 1/2"	2,875 73,0											
3 "	3,50 88,9	9,50 241,3	3,63 92,2	1,50 38,1	2,12 53,8	1,62 41,1	5,00 127,0	5,00 127,0	8	1,00 25,4	7,50 190,5	11,6
4 "	4,50 114,3	11,50 292,1	4,63 117,6	1,75 44,5	2,75 69,8	1,88 47,8	6,25 158,7	6,19 157,2	8	1,25 31,8	9,25 235	19,7
5 "	5,563 141,3	12,75 349,3	5,69 144,5	2,00 50,8	3,12 79,2	2,12 53,8	7,50 190,5	7,31 185,7	8	1,38 35,1	11,00 279,4	31,9
6 "	6,625 168,3	15,00 381,0	6,75 171,5	2,19 55,6	3,38 85,9	2,25 57,2	9,25 235	8,50 215,9	12	1,25 31,8	12,50 317,5	41,1
8 "	8,625 219,1	18,50 469,9	8,75 222,3	2,50 63,5	4,00 101,6	2,50 63,5	11,75 298,5	10,62 269,7	12	1,50 38,1	15,50 393,7	70,7
10 "	10,75 273	21,50 546,1	10,88 276,4	2,75 69,9	4,25 108	2,81 71,4	14,50 368,3	12,75 323,8	16	1,50 38,1	18,50 469,9	101
12 "	12,75 323,8	24,00 609,6	12,94 328,7	3,12 79,3	4,62 117,3	3,00 76,2	16,50 419,1	15,00 381,0	20	1,50 38,1	21,00 533,4	133
14 "	14,0 355,6	25,25 641,4	14,19 360,4	3,38 85,9	5,12 130,0	3,25 82,6	17,75 450,9	16,25 412,8	20	1,62 41,1	22,00 558,8	153
16 "	16,0 406,4	27,75 704,9	16,19 411,2	3,50 88,9	5,25 133,4	3,38 85,9	20,00 508,0	18,50 469,9	20	1,75 44,5	24,25 616	185
18 "	18,0 457,2	31,00 787,4	18,19 462,0	4,00 101,6	6,00 152,4	3,50 88,9	22,25 565,2	21,00 533,4	20	2,00 50,8	27,00 685,8	258
20 "	20,0 508	33,75 857,3	20,19 512,8	4,25 108	6,25 158,8	3,62 91,9	24,50 622,3	23,00 584,2	20	2,12 53,8	29,50 749,3	317
24 "	24,0 609,6	41,00 1041,4	24,19 614,4	5,50 139,7	8,00 203,2	4,00 101,6	29,50 749,3	27,25 692,2	20	2,62 66,5	35,50 901,7	606

ASME B 16.5
THREADED
FLANGES
900
1500

2500 LB/SQ. IN. THREADED FLANGES

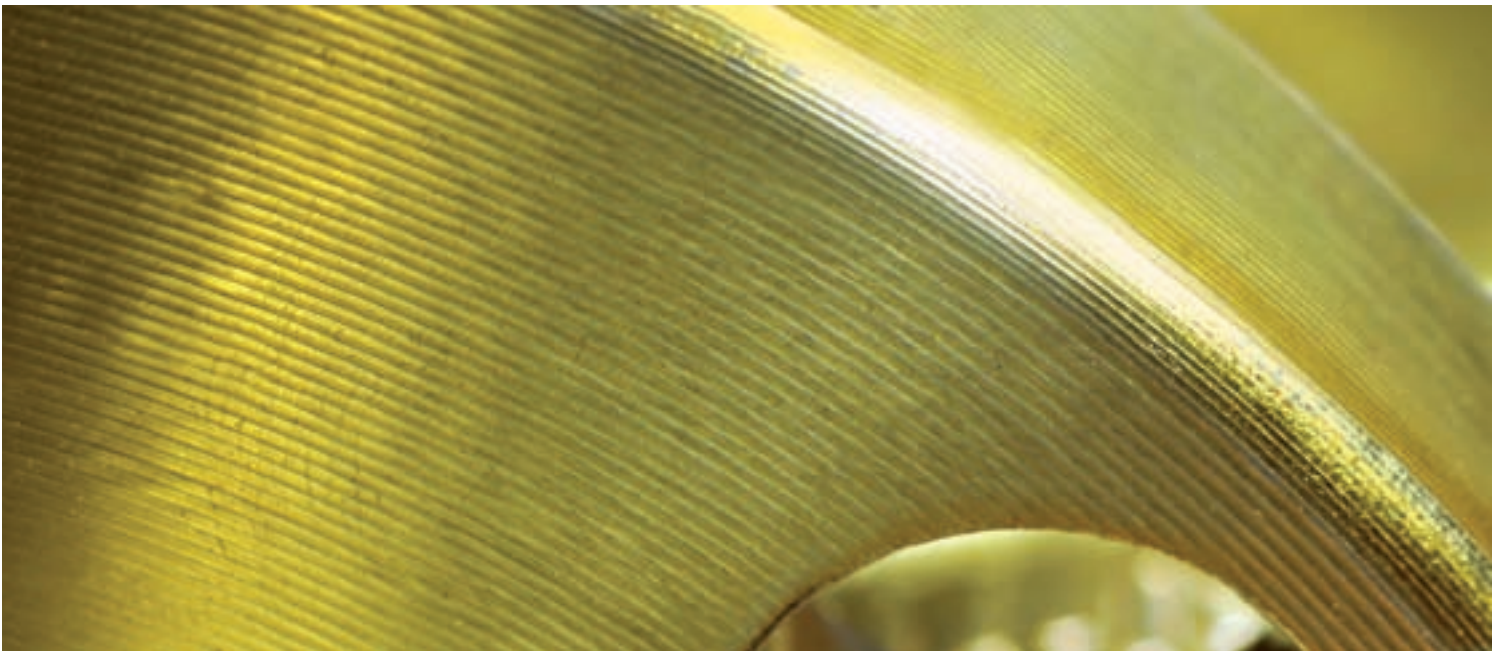
ASME B 16.5



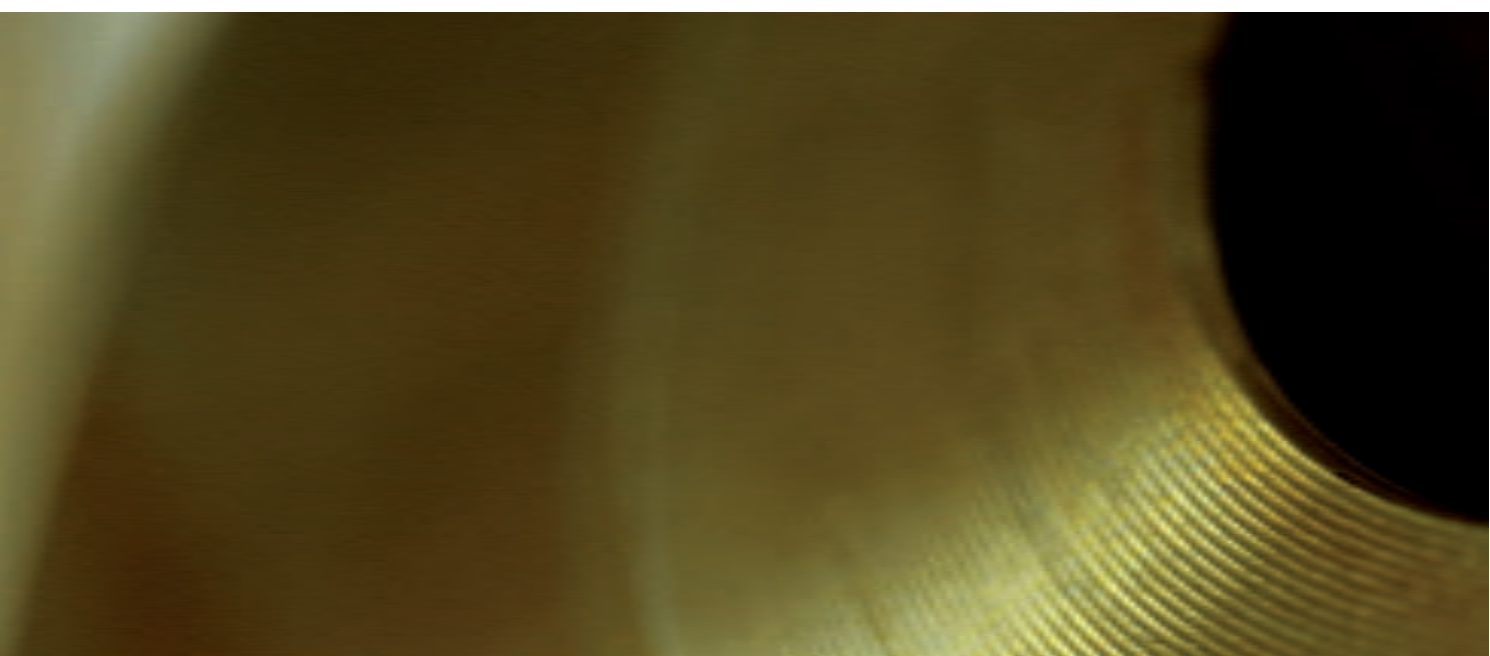
Thread type: Standard taper pipe thread to ANSI B 2.1

Pipe		Flange					Hub	Raised Face	Drilling Template			Approx. Weight
Nom. Size DN	OD in. mm	D in. mm	J in. mm	b in. mm	h in. mm	h1 in. mm	m in. mm	g in. mm	Number	I in. mm	k in. mm	Kilo
1/2"	0,84 21,3	5,25 133,4	0,93 23,6	1,19 30,2	1,56 39,6	1,12 28,4	1,69 42,9	1,38 35,1	4	0,88 22,4	3,50 88,9	2,95
3/4"	1,05 26,7	5,50 139,7	1,14 29,0	1,25 31,8	1,69 42,9	1,25 31,8	2,00 50,8	1,69 42,9	4	0,88 22,4	3,75 95,3	3,44
1"	1,315 33,4	6,25 158,8	1,41 35,8	1,38 35,1	1,88 47,8	1,38 35,1	2,25 57,2	2,00 50,8	4	1,00 25,4	4,25 108,0	4,82
1 1/4"	1,66 42,2	7,25 184,2	1,75 44,5	1,50 38,1	2,06 52,3	1,50 38,1	2,88 73,2	2,50 63,5	4	1,12 28,4	5,12 130,0	7,14
1 1/2"	1,90 48,3	8,00 203,2	1,99 50,5	1,75 44,5	2,38 60,5	1,75 44,5	3,12 79,2	2,88 73,2	4	1,25 31,8	5,75 146,1	10,0
2"	2,375 60,3	9,25 235,0	2,50 63,5	2,00 50,8	2,75 69,9	2,00 50,8	3,75 95,3	3,62 91,9	8	1,12 28,4	6,75 171,5	14,8
2 1/2"	2,875 73,0	10,50 266,7	3,00 76,2	2,25 57,2	3,12 79,2	2,25 57,2	4,50 114,3	4,12 104,6	8	1,25 31,8	7,75 196,9	21,5
3"	3,50 88,9	12,00 304,8	3,63 92,2	2,62 66,5	3,62 91,9	2,50 63,5	5,25 133,4	5,00 127,0	8	1,38 35,1	9,00 228,6	32,6
4"	4,50 114,3	14,00 355,6	4,63 117,6	3,00 76,2	4,25 108,0	2,75 69,9	6,50 165,1	6,19 157,2	8	1,62 41,1	10,75 273,1	52,9
5"	5,563 141,3	16,50 419,1	5,69 144,5	3,62 91,9	5,12 130,0	3,00 76,2	8,00 203,2	7,31 185,7	8	1,88 47,8	12,75 323,8	83,1
6"	6,625 168,3	19,00 482,6	6,75 171,5	4,25 108,0	6,00 152,4	3,25 82,6	9,25 235,0	8,50 215,9	8	2,12 53,8	14,50 368,3	128
8"	8,625 219,1	21,75 552,5	8,75 222,3	5,00 127,0	7,00 177,8	3,75 95,3	12,00 304,8	10,62 269,7	12	2,12 53,8	17,25 438,2	188
10"	10,75 273	26,50 673,1	10,88 276,4	6,50 165,1	9,00 228,6	4,25 108,0	14,75 374,7	12,75 323,8	12	2,62 66,5	21,25 539,8	355
12"	12,75 323,8	30,00 762,0	12,94 328,7	7,25 184,2	10,00 254,0	4,75 120,7	17,38 441,5	15,00 381,0	12	2,88 73,2	24,38 619,3	504

ASME B 16.5



WELDING NECK FLANGES & SLIP ON FLANGES ACC. TO ASME B.S.3293



B.S. 3293

WELDING NECK AND SLIP-ON FLANGES ACC. TO B. S. 3293

Nominal Sizes larger than 24"

BRITISH STANDARD 3293 is a specification for carbon steel pipe flanges for the petroleum industry.

B.S. 3293

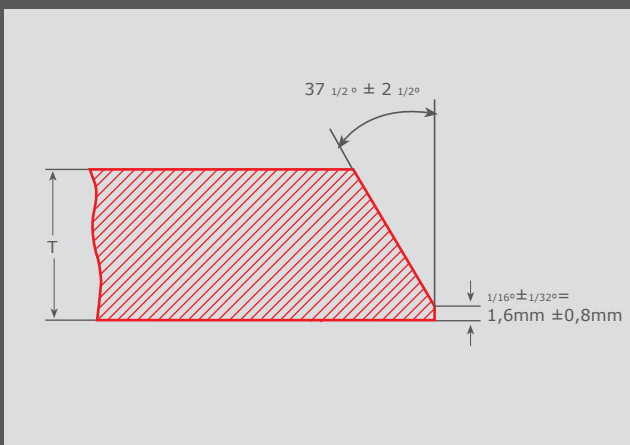
GENERAL SURVEY

Nominal Pressure lb/sq. in.	150	300	400	600
Nenndruck kp/cm ²	10,6	21,1	28,1	42,2
Nenndruck N/cm ²	104	207	276	414
Type of flange	from 26" to max. Nominal Sizes			
Welding Neck Flanges	48"	36"	36"	36"
same, Ring Joint Type	-	36"	36"	36"
Slip-on Flanges	48"	36"	36"	36"
same, Ring Joint Type	-	36"	36"	36"

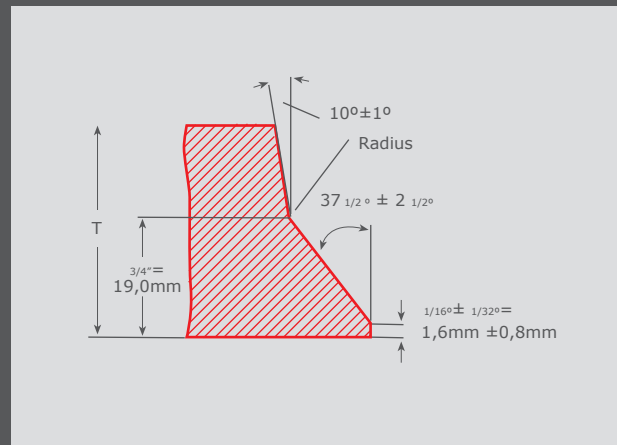
Materials: according to ASTM, corresponding to the details on the pages 97 to 99.
Other materials on enquiry.

FACINGS AND DIMENSIONAL TOLERANCES ACC. TO ASME B 16.5 EXCEPT LENGTH »H« AT SLIP-ON FLANGES = ± 0,125"

WELDING ENDS



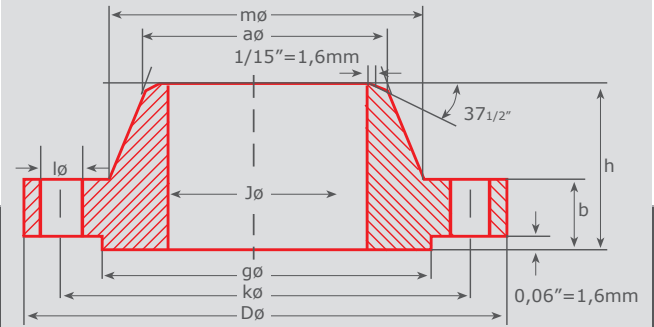
Recommended Bevel for Wall Thicknesses (T) at End of Flange, 3/4" or less.



Recommended Bevel for Wall Thicknesses (T) at End of Flange, greater than 3/4".

150 LB/SQ. IN. WELDING NECK FLANGES

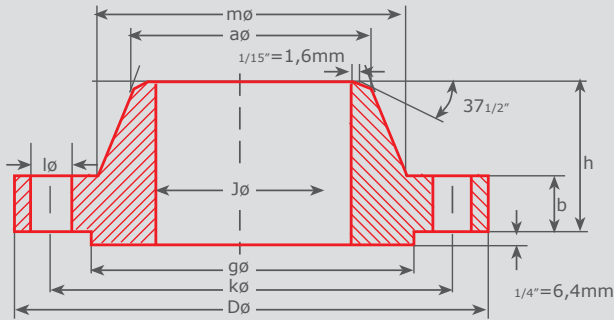
B.S. 3293



Pipe		Flange				Hub		Raised Face	Drilling Template			Approx. Weight
Nom. Size DN	OD in. mm	D in. mm	J in. mm	b in. mm	h in. mm	a in. mm	m in. mm	g in. mm	Number	I in. mm	k in. mm	Kilo
26"	26,0 660,4	34 1/4 870	To be specified by the purchaser	2 50,8	5 127,0	26 660,4	28 1/2 723,9	29 1/4 743	24	1 3/8 34,9	31 3/4 806,5	118
28"	28,0 711,2	36 1/2 927,1		2 1/16 52,4	5 1/16 128,6	28 711,2	30 3/4 781,1	31 1/4 793,8	28	1 3/8 34,9	34 863,6	134
30"	30,0 762	38 3/4 984,3		2 1/8 54,0	5 1/8 130,2	30 762,0	32 3/4 831,9	33 3/4 857,3	28	1 3/8 34,9	36 914,4	153
32"	32,0 812,8	41 3/4 1060,5		2 1/4 57,2	5 1/4 133,4	32 812,8	35 889,0	35 3/5 908,1	28	1 5/8 41,3	38 1/2 977,9	190
34"	34,0 863,6	43 3/4 1111,3		2 5/16 58,8	5 5/16 135	34 863,6	37 939,8	37 3/4 958,8	32	1 5/8 41,3	40 1/2 1028,7	212
36"	36,0 914,4	46 1168,4		2 3/8 60,3	5 3/8 136,5	36 914,4	39 1/4 997	40 1/4 1022,4	32	1 5/8 41,3	42 3/4 1085,9	242
38"	38,0 965,2	48 3/4 1238,3		2 3/8 60,3	5 3/8 136,5	38 965,2	41 3/4 1060,5	42 1/4 1073,2	32	1 5/8 41,3	45 1/4 1149,4	284
40"	40,0 1016,0	50 3/4 1289,1		2 1/2 63,5	5 1/2 139,7	40 1016,0	43 3/4 1111,3	44 1/4 1124	36	1 5/8 41,3	47 1/4 1200,2	311
42"	42,0 1066,8	53 1346,2		2 5/8 66,7	5 5/8 142,9	42 1066,8	46 1168,4	47 1193,8	36	1 5/8 41,3	49 1/2 1257,3	358
44"	44,0 1117,6	55 1/4 1403,4		2 5/8 66,7	5 5/8 142,9	44 1117,6	48 1219,2	49 1244,6	40	1 5/8 41,3	51 3/4 1314,5	376
46"	46,0 1168,4	57 1/4 1454,2		2 11/16 68,3	5 11/16 144,5	46 1168,4	50 1270,0	51 1295,4	40	1 5/8 41,3	53 3/4 1365,3	399
48"	48,0 1219,2	59 1/2 1511,3		2 3/4 69,9	5 3/4 146,1	48 1219,2	52 1/4 1327,2	53 1/2 1358,9	44	1 5/8 41,3	56 1422,4	440

300 LB/SQ. IN. WELDING NECK FLANGES

Pipe		Flange				Hub		Raised Face	Drilling Template			Approx. Weight
Nom. Size DN	OD in. mm	D in. mm	J in. mm	b in. mm	h in. mm	a in. mm	m in. mm	g in. mm	Number	I in. mm	k in. mm	Kilo
26"	26,0 660,4	38 1/4 971,6	To be specified by the purchaser	3 1/8 79,4	7 1/4 184,2	26 1/4 666,8	28 3/8 720,7	29 1/2 749,3	28	1 3/4 44,5	34 1/2 876,3	279
28"	28,0 711,2	40 3/4 1035,1		3 3/8 85,7	7 3/4 196,9	28 1/4 717,6	30 1/2 774,7	31 1/2 800,1	28	1 3/4 44,5	37 939,8	340
30"	30,0 762	43 1092,2		3 5/8 92,1	8 1/4 209,6	30 1/4 768,4	32 9/16 827,1	33 3/4 857,3	28	1 7/8 47,6	39 1/4 997,0	390
32"	32,0 812,8	45 1/4 1149,4		3 7/8 98,4	8 3/4 222,3	32 1/4 819,2	34 11/16 881,1	36 914,4	28	2 50,8	41 1/2 1054,1	435
34"	34,0 863,6	47 1/2 1206,5		4 101,6	9 1/8 231,8	34 5/16 871,5	36 7/8 936,6	38 965,2	28	2 50,8	43 1/2 1104,9	504
36"	36,0 914,4	50 1270,0		4 1/8 104,8	9 1/2 241,3	36 5/16 922,3	39 990,6	40 1/4 1022,4	32	2 1/8 54,0	46 1168,4	560



400 LB/SQ. IN. WELDING NECK FLANGES

B.S. 3293

Pipe		Flange			Hub		Raised Face	Drilling Template			Approx. Weight	
Nom. Size DN	OD in. mm	D in. mm	J in. mm	b in. mm	h in. mm	a in. mm	m in. mm	g in. mm	Number	I in. mm	k in. mm	Kilo
26"	26,0 660,4	38 1/4 971,6	To be specified by the purchaser	3 1/2 88,9	7 5/8 193,7	26 5/16 668,3	28 5/8 727,1	29 1/2 749,3	28	1 7/8 47,6	34 1/2 876,3	340
28"	28,0 711,2	40 3/4 1035,1		3 3/4 95,3	8 1/8 206,4	28 5/16 719,1	30 13/16 782,6	31 1/2 800,1	28	2 50,8	37 939,8	399
30"	30,0 762	43 1092,2		4 101,6	8 5/8 219,1	30 5/16 769,9	32 15/16 836,6	33 3/4 857,3	28	2 1/8 54,0	39 1/4 997	454
32"	32,0 812,8	45 1/4 1149,4		4 1/4 108,0	9 1/8 231,8	32 3/8 822,3	35 889,0	36 914,4	28	2 1/8 54,0	41 1/2 1054,1	522
34"	34,0 863,6	47 1/2 1206,5		4 3/8 111,1	9 1/2 241,3	34 3/8 873,1	37 3/16 944,6	38 965,2	28	2 1/8 54,0	43 1/2 1104,9	590
36"	36,0 914,4	50 1270,0		4 1/2 114,3	9 7/8 250,9	36 7/16 925,5	39 3/8 1000,1	40 1/4 1022,4	32	2 1/8 54,0	46 1168,4	669

600 LB/SQ. IN. WELDING NECK FLANGES

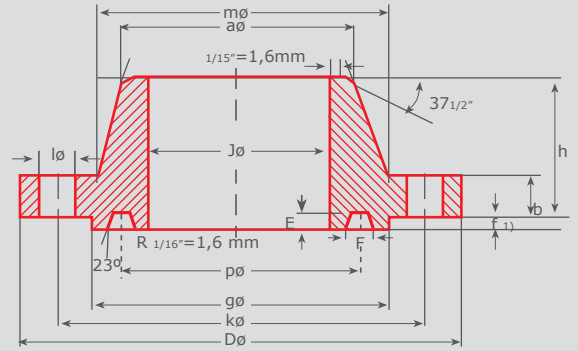
Pipe		Flange			Hub		Raised Face	Drilling Template			Approx. Weight	
Nom. Size DN	OD in. mm	D in. mm	J in. mm	b in. mm	h in. mm	a in. mm	m in. mm	g in. mm	Number	I in. mm	k in. mm	Kilo
26"	26,0 660,4	40 1016,0	To be specified by the purchaser	4 1/4 108	8 3/4 222,3	26 7/16 671,5	29 7/16 747,7	29 1/2 749,3	28	2 50,8	36 914,4	437
28"	28,0 711,2	42 1/4 1073,2		4 3/8 111,1	9 1/4 235	28 1/2 723,9	31 5/8 803,3	31 1/2 800,1	28	2 1/8 54,0	38 965,2	508
30"	30,0 762	44 1/2 1130,3		4 1/2 114,3	9 3/4 247,7	30 1/2 774,7	33 15/16 862,0	33 3/4 857,3	28	2 1/8 54,0	40 1/4 1022,4	559
32"	32,0 812,8	47 1193,8		4 5/8 117,5	10 1/4 260,4	32 1/2 825,5	36 1/8 917,6	36 914,4	28	2 3/8 60,3	42 1/2 1079,5	680
34"	34,0 863,6	49 1244,6		4 3/4 120,7	10 5/8 269,9	34 9/16 877,9	38 5/16 973,1	38 965,2	28	2 3/8 60,3	44 1/2 1130,3	717
36"	36,0 914,4	51 3/4 1314,5		4 7/8 123,8	11 1/8 282,6	36 9/16 928,7	40 5/8 1031,9	40 1/4 1022,4	28	2 5/8 66,7	47 1193,8	780

300 LB/SQ. IN.

WELDING NECK FLANGES

RING JOINT TYPE

B.S. 3293

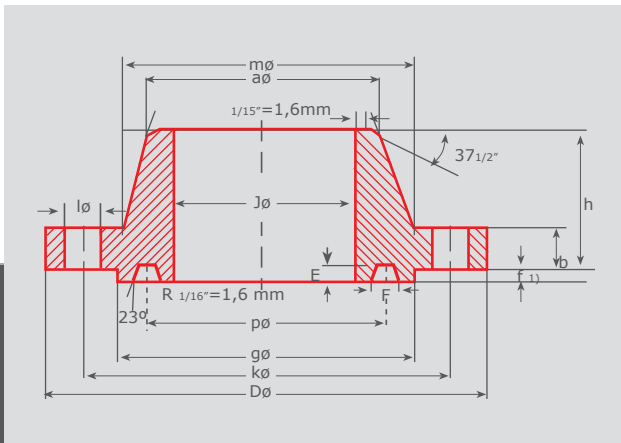


Pipe			Flange			Hub			Raised Face	Drilling Template			Ring Joint			Approx. Weight
Nom. Size DN	OD in. mm	D in. mm	J in. mm	b in. mm	h in. mm	a in. mm	m in. mm	g in. mm	Number	I in. mm	k in. mm	p in. mm	E in. mm	F in. mm	Kilo	
26"	26,0 660,4	38 1/4 971,6	To be specified by the purchaser	3 1/8 79,4	7 1/4 184,2	26 1/4 666,8	28 3/8 720,7	31 7/8 809,6	28	1 3/4 44,5	34 1/2 876,3	29 1/2 749,3	1/2 12,7	25/32 19,8	298	
28"	28,0 711,2	40 3/4 1035,1		3 3/8 85,7	7 3/4 196,9	28 1/4 717,6	30 1/2 774,7	33 7/8 860,4	28	1 3/4 44,5	37 939,8	31 1/2 800,1	1/2 12,7	25/32 19,8	360	
30"	30,0 762	43 1092,2		3 5/8 92,1	8 1/4 209,6	30 1/4 768,4	32 9/16 827,1	36 1/8 917,6	28	1 7/8 47,6	39 1/4 997	33 3/4 857,3	1/2 12,7	25/32 19,8	412	
32"	32,0 812,8	45 1/4 1149,4		3 7/8 98,4	8 3/4 222,3	32 1/4 819,2	34 11/16 881,1	38 3/4 984,3	28	2 50,8	41 1/2 1054,1	36 914,4	9/16 14,3	29/32 23,0	465	
34"	34,0 863,6	47 1/2 1206,5		4 101,6	9 1/8 231,8	34 5/16 871,5	36 7/8 936,6	40 3/4 1035,1	28	2 50,8	43 1/2 1104,9	38 965,2	9/16 14,3	29/32 23,0	536	
36"	36,0 914,4	50 1270,0		4 1/8 104,8	9 1/2 241,3	36 5/16 922,4	39 990,6	43 1092,2	32	2 1/6 54,0	46 1168,4	40 1/4 1022,4	9/16 14,3	29/32 23,0	595	

400 LB/SQ. IN.

WELDING NECK FLANGES RING JOINT TYPE

Pipe			Flange			Hub			Raised Face	Drilling Template			Ring Joint			Approx. Weight
Nom. Size DN	OD in. mm	D in. mm	J in. mm	b in. mm	h in. mm	a in. mm	m in. mm	g in. mm	Number	I in. mm	k in. mm	p in. mm	E in. mm	F in. mm	Kilo	
26"	26,0 660,4	38 1/4 971,6	To be specified by the purchaser	3 1/2 88,9	7 5/8 193,7	26 5/16 668,4	28 5/8 727,1	31 7/8 809,6	28	1 7/8 47,6	34 1/2 876,3	29 1/2 749,3	1/2 12,7	25/32 19,8	349	
28"	28,0 711,2	40 3/4 1035,1		3 3/4 95,3	8 1/8 206,4	28 5/16 719,2	30 13/16 782,7	33 7/8 860,4	28	2 50,8	37 939,8	31 1/2 800,1	1/2 12,7	25/32 19,8	409	
30"	30,0 762	43 1092,2		4 101,6	8 5/8 219,1	30 5/16 770	32 15/16 836,6	36 1/8 917,6	28	2 1/8 54,0	39 1/4 997	33 3/4 857,3	1/2 12,7	25/32 19,8	465	
32"	32,0 812,8	45 1/4 1149,4		4 1/4 108	9 1/8 231,8	32 3/8 822,3	35 889,0	38 3/4 984,3	28	2 1/8 54,0	41 1/2 1054,1	36 914,4	9/16 14,3	29/32 23,0	539	
34"	34,0 863,6	47 1/2 1206,5		4 3/8 111,1	9 1/2 241,3	34 3/8 873,1	37 3/16 944,6	40 3/4 1035,1	28	2 1/8 54,0	43 1/2 1104,9	38 965,2	9/16 14,3	29/32 23,0	608	
36"	36,0 914,4	50 1270,0		4 1/2 114,3	9 7/8 250,8	36 7/16 925,5	39 3/8 1000,1	43 1092,2	32	2 1/8 54,0	46 1168,4	40 1/2 1022,4	9/16 14,3	29/32 23,0	689	



600 LB/SQ. IN. WELDING NECK FLANGES RING JOINT TYPE

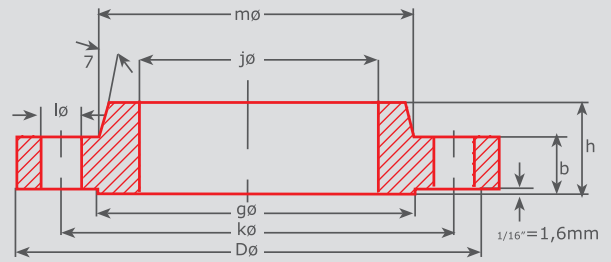
B.S. 3293

Pipe		Flange				Hub		Raised Face	Drilling Template			Ring Joint			Approx. Weight
Nom. Size DN	OD in. mm	D in. mm	J in. mm	b in. mm	h in. mm	a in. mm	m in. mm	g in. mm	Number	I in. mm	k in. mm	P in. mm	E in. mm	F in. mm	Kilo
26"	26,0 660,4	40 1016,0	To be specified by the purchaser	4 1/4 108	8 3/4 222,3	26 7/16 671,5	29 7/16 747,7	31 7/8 809,6	28	2 50,8	36 914,4	29 1/2 749,3	1/2 12,7	25/32 19,8	446
28"	28,0 711,2	42 1/4 1073,2		4 3/8 111,1	9 1/4 235	28 1/2 723,9	31 5/8 803,3	33 7/8 860,4	28	2 1/8 54,0	38 965,2	31 1/2 800,1	1/2 12,7	25/32 19,8	518
30"	30,0 762	44 1/2 1130,3		4 1/2 114,3	9 3/4 247,7	30 1/2 774,7	33 15/16 862,0	36 1/8 917,6	28	2 1/8 54,0	40 1/4 1022,4	33 3/4 857,3	1/2 12,7	25/32 19,8	570
32"	32,0 812,8	47 1193,8		4 5/8 117,5	10 1/4 260,4	32 1/2 825,5	36 1/8 917,6	38 3/4 984,2	28	2 3/8 60,3	42 1/2 1079,5	36 914,4	9/16 14,3	29/32 23,0	697
34"	34,0 863,6	49 1244,6		4 3/4 120,7	10 5/8 269,9	34 9/16 877,9	38 5/16 973,2	40 3/4 1035,1	28	2 3/8 60,3	44 1/2 1130,3	38 965,2	9/16 14,3	29/32 23,0	735
36"	36,0 914,4	51 3/4 1314,5		4 7/8 123,8	11 1/8 282,6	36 9/16 928,7	40 5/8 1031,9	43 1092,2	28	2 5/8 66,7	47 1193,8	40 1/4 1022,4	9/16 14,3	29/32 23,0	800

150 LB/SQ. IN.

SLIP ON FLANGES

B.S. 3293

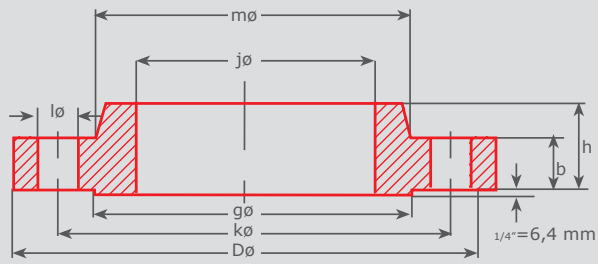


Pipe		Flange			Hub		Raised Face	Drilling Template			Approx. Weight
Nom. Size DN	OD in. mm	D in. mm	J in. mm	b in. mm	h in. mm	m in. mm	g in. mm	Number	I in. mm	k in. mm	Kilo
26"	26,0 660,4	34 1/4 870	26 1/4 666,8	2 50,8	3 3/8 85,7	28 1/2 723,9	29 1/4 743	24	1 3/8 34,9	31 3/4 806,5	107
28"	28,0 711,2	36 1/2 927,1	28 1/4 717,6	2 1/16 52,4	3 7/16 87,3	30 3/4 781,1	31 1/4 793,8	28	1 3/8 34,9	34 863,6	122
30"	30,0 762	38 3/4 984,3	30 1/4 768,4	2 1/8 54,0	3 1/2 88,9	32 3/4 831,9	33 3/4 857,3	28	1 3/8 34,9	36 914,4	138
32"	32,0 812,8	41 3/4 1060,5	32 1/4 819,2	2 1/4 57,2	3 5/8 92,1	35 889,0	35 3/4 908,1	28	1 5/8 41,3	38 1/2 977,9	170
34"	34,0 863,6	43 3/4 1111,3	34 1/4 870	2 5/16 58,8	3 11/16 93,7	37 939,8	37 3/4 958,9	32	1 5/8 41,3	40 1/2 1028,7	184
36"	36,0 914,4	46 1168,4	36 1/4 920,8	2 3/8 60,3	3 3/4 95,3	39 1/4 997	40 1/4 1022,4	32	1 5/8 41,3	42 1/2 1085,9	211
38"	38,0 965,2	48 3/4 1238,3	38 1/4 971,6	2 3/8 60,3	3 3/4 95,3	41 3/4 1060,5	42 1/4 1073,2	32	1 5/8 41,3	45 1/4 1149,4	249
40"	40,0 1016,0	50 3/4 1289,1	40 1/4 1022,4	2 1/2 63,5	3 7/8 98,4	43 3/4 1111,3	44 1/4 1124	36	1 5/8 41,3	47 1/4 1200,2	272
42"	42,0 1066,8	53 1346,2	42 1/4 1073,2	2 5/8 66,7	4 101,6	46 1168,4	47 1193,8	36	1 5/8 41,3	49 1/2 1257,3	313
44"	44,0 1117,6	55 1/4 1403,4	44 1/4 1124	2 5/8 66,7	4 101,6	48 1219,2	49 1244,6	40	1 5/8 41,3	51 3/4 1314,5	331
46"	46,0 1168,4	57 1/4 1454,2	46 1/4 1174,8	2 11/16 68,3	4 1/16 103,3	50 1270,0	51 1295,4	40	1 5/8 41,3	53 3/4 1365,3	349
48"	48,0 1219,2	59 1/2 1511,3	48 1/4 1225,6	2 3/4 69,9	4 1/8 104,8	52 1/4 1327,2	53 1/2 1358,9	44	1 5/8 41,3	56 1422,4	381

300 LB/SQ. IN.

SLIP ON FLANGES

Pipe		Flange				Hub		Raised Face	Drilling Template			Approx. Weight
Nom. Size DN	OD in. mm	D in. mm	J in. mm	b in. mm	h in. mm	a in. mm	m in. mm	g in. mm	Number	I in. mm	k in. mm	Kilo
26"	26,0 660,4	38 1/4 971,6	26 1/4 666,8	3 1/8 79,4	7 1/4 184,2	27 1/16 687,4	28 3/8 720,7	29 1/2 749,3	28	1 3/4 44,5	34 1/2 876,3	251
28"	28,0 711,2	40 3/4 1035,1	28 1/4 717,6	3 3/8 85,7	7 3/4 196,9	29 1/8 739,8	30 1/2 774,7	31 1/2 800,1	28	1 3/4 44,5	37 939,8	313
30"	30,0 762	43 1092,2	30 1/4 768,4	3 5/8 92,1	8 1/4 209,6	3 13/16 792,2	32 9/16 827,1	33 3/4 857,3	28	1 7/8 47,6	39 1/4 997	354
32"	32,0 812,8	45 1/4 1149,4	32 1/4 819,2	3 7/8 98,4	8 3/4 222,3	33 1/4 844,6	34 11/16 881,1	36 914,4	28	2 50,8	41 1/2 1054,1	395
34"	34,0 863,6	47 1/2 1206,5	34 1/4 870	4 101,6	9 1/8 231,8	35 5/16 896,9	36 7/8 936,6	38 965,2	28	2 50,8	43 1/2 1104,9	460
36"	36,0 914,4	50 1270,0	36 1/4 920,8	4 1/8 104,8	9 1/2 241,3	37 3/8 949,3	39 990,6	40 1/4 1022,4	32	2 1/8 54,0	46 1168,4	513



400 LB/SQ. IN. SLIP ON FLANGES

B.S. 3293

Pipe		Flange				Hub		Raised Face	Drilling Template			Approx. Weight
Nom. Size DN	OD in. mm	D in. mm	J in. mm	b in. mm	h in. mm	a in. mm	m in. mm	g in. mm	Number	I in. mm	k in. mm	Kilo
26"	26,0 660,4	38 1/4 971,6	26 1/4 666,8	3 1/2 88,9	7 5/8 193,7	27 5/16 693,8	28 5/8 727,1	29 1/2 749,3	28	1 7/8 47,6	34 1/2 876,3	295
28"	28,0 711,2	40 3/4 1035,1	28 1/4 717,6	3 3/4 95,3	8 1/8 206,4	29 3/8 746,1	30 13/16 782,7	31 1/2 800,1	28	2 50,8	37 939,8	354
30"	30,0 762	43 1092,2	30 1/4 768,4	4 101,6	8 5/8 219,1	31 1/2 800,1	32 15/16 836,6	33 3/4 857,3	28	2 1/8 54,0	39 1/4 997	408
32"	32,0 812,8	45 1/4 1149,4	32 1/4 819,2	4 1/4 108	9 1/8 231,8	33 9/16 852,5	35 889,0	36 914,4	28	2 1/8 54,0	41 1/2 1054,1	465
34"	34,0 863,6	47 1/2 1206,5	34 1/4 870	4 3/8 111,1	9 1/2 241,3	35 5/8 904,9	37 3/16 944,6	38 965,2	28	2 1/8 54,0	43 1/2 1104,9	522
36"	36,0 914,4	50 1270,0	36 1/4 920,8	4 1/2 114,3	9 7/8 250,8	37 3/4 958,8	39 3/8 1000,1	40 1/4 1022,4	32	2 1/8 54,0	46 1168,4	601

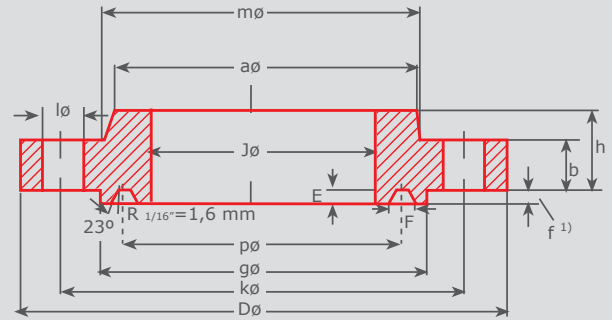
600 LB/SQ. IN. SLIP ON FLANGES

BRITISH
STD
B.S.
3293

Pipe		Flange				Hub		Raised Face	Drilling Template			Approx. Weight
Nom. Size DN	OD in. mm	D in. mm	J in. mm	b in. mm	h in. mm	a in. mm	m in. mm	g in. mm	Number	I in. mm	k in. mm	Kilo
26"	26,0 660,4	40 1016,0	26 1/4 666,8	4 1/4 108	8 3/4 222,3	27 13/16 706,5	29 7/16 747,7	29 1/2 749,3	28	2 50,8	36 914,4	408
28"	28,0 711,2	42 1/4 1073,2	28 1/4 717,6	4 3/8 111,1	9 1/4 235	29 15/16 760,4	31 5/8 803,3	31 1/2 800,1	28	2 1/6 54,0	38 965,2	472
30"	30,0 762	44 1/2 1130,3	30 1/4 768,3	4 1/2 114,3	9 3/4 247,6	32 1/16 814,4	33 15/16 862,0	33 3/4 857,2	28	2 1/8 54,0	40 1/4 1022,3	526
32"	32,0 812,8	47 1193,8	32 1/4 819,2	4 5/8 117,5	10 1/4 260,4	34 3/16 868,4	36 1/8 917,6	36 914,4	28	2 3/8 60,3	42 1/2 1079,5	605
34"	34,0 863,6	49 1244,6	34 1/4 870	4 3/4 120,7	10 5/8 269,9	36 5/16 922,4	38 5/16 973,2	38 965,2	28	2 3/8 60,3	44 1/2 1130,3	652
36"	36,0 914,4	51 3/4 1314,5	36 1/4 920,8	4 7/8 123,8	11 1/8 282,6	38 7/16 976,3	40 5/8 1031,9	40 1/4 1022,4	28	2 5/8 66,7	47 1193,8	744

300 LB/SQ. IN.

SLIP ON FLANGES RING JOINT TYPE



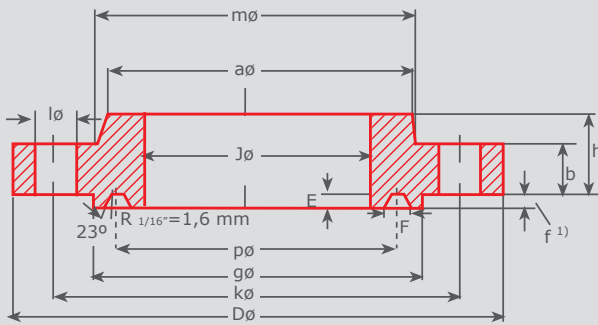
B.S. 3293

Pipe		Flange				Hub		Raised Face	Drilling Template			Ring Joint			Approx. Weight
Nom. Size DN	OD in. mm	D in. mm	J in. mm	b in. mm	h in. mm	a in. mm	m in. mm	g in. mm	Number	I in. mm	k in. mm	p in. mm	E in. mm	F in. mm	Kilo
26"	26,0 660,4	38 1/4 971,6	26 1/4 666,8	3 1/8 79,4	7 1/4 184,2	27 1/16 687,4	28 3/8 720,7	31 7/8 809,6	28	1 3/4 44,5	34 1/2 876,3	29 1/2 749,3	1/2 12,7	25/32 19,8	270
28"	28,0 711,2	40 3/4 1035,1	28 1/4 717,6	3 3/8 85,7	7 3/4 196,9	29 1/8 739,8	30 1/2 774,7	33 7/8 860,4	28	1 3/4 44,5	37 939,8	31 1/2 800,1	1/2 12,7	25/32 19,8	333
30"	30,0 762	43 1092,2	30 1/4 768,4	3 5/8 92,1	8 1/4 209,6	31 3/16 792,2	32 9/16 827,1	36 1/8 917,6	28	1 7/8 47,6	39 1/4 997	33 3/4 857,3	1/2 12,7	25/32 19,8	376
32"	32,0 812,8	45 1/4 1149,4	32 1/4 819,2	3 7/8 98,4	8 3/4 222,3	33 1/4 844,6	34 11/16 881,1	38 3/4 984,3	28	2 50,8	41 1/2 1054,1	36 914,4	9/16 14,3	29/32 23,0	425
34"	34,0 863,6	47 1/2 1206,5	34 1/4 870	4 101,6	9 1/8 231,8	35 5/16 896,9	36 7/8 936,6	40 3/4 1035,1	28	2 50,8	43 1/2 1104,9	38 965,2	9/16 14,3	29/32 23,0	492
36"	36,0 914,4	50 1270,0	36 1/4 920,8	4 1/8 104,8	9 1/2 241,3	37 3/8 949,3	39 990,6	43 1092,2	32	2 1/8 54,0	46 1168,4	40 1/4 1022,4	9/16 14,3	29/32 23,0	548

400 LB/SQ. IN.

WELDING NECK FLANGES RING JOINT TYPE

Pipe		Flange				Hub		Raised Face	Drilling Template			Ring Joint			Approx. Weight
Nom. Size DN	OD in. mm	D in. mm	J in. mm	b in. mm	h in. mm	a in. mm	m in. mm	g in. mm	Number	I in. mm	k in. mm	p in. mm	E in. mm	F in. mm	Kilo
26"	26,0 660,4	38 1/4 971,6	26 1/4 666,8	3 1/2 88,9	7 5/8 193,7	27 5/16 693,7	28 5/8 727,1	31 7/8 809,6	28	1 7/8 47,6	34 1/2 876,3	29 1/2 749,3	1/2 12,7	25/32 19,8	304
28"	28,0 711,2	40 3/4 1035,1	28 1/4 717,6	3 3/4 95,3	8 1/8 206,4	29 3/8 746,1	30 13/16 782,6	33 7/8 860,4	28	2 50,8	37 939,8	31 1/2 800,1	1/2 12,7	25/32 19,8	364
30"	30,0 762	43 1092,2	30 1/4 768,4	4 101,6	8 5/8 219,1	31 1/2 800,1	32 15/16 836,6	36 1/8 917,6	28	2 1/8 54,0	39 1/4 997	33 3/4 857,3	1/2 12,7	25/32 19,8	419
32"	32,0 812,8	45 1/4 1149,4	32 1/4 819,2	4 1/4 108	9 1/8 231,8	33 9/16 852,5	35 889,0	38 3/4 984,3	28	2 1/8 54,0	41 1/2 1054,1	36 914,4	9/16 14,3	29/32 23,0	482
34"	34,0 863,6	47 1/2 1206,5	34 1/4 870	4 3/8 111,1	9 1/2 241,3	35 5/8 904,9	37 3/16 944,6	40 3/4 1035,0	28	2 1/8 54,0	43 1/2 1104,9	38 965,2	9/16 14,3	29/32 23,0	540
36"	36,0 914,4	50 1270,0	36 1/4 920,8	4 1/2 114,3	9 7/8 250,8	37 3/4 958,9	39 3/8 1000,1	43 1092,2	32	2 1/8 54,0	46 1168,4	40 1/4 1022,4	9/16 14,3	29/32 23,0	621

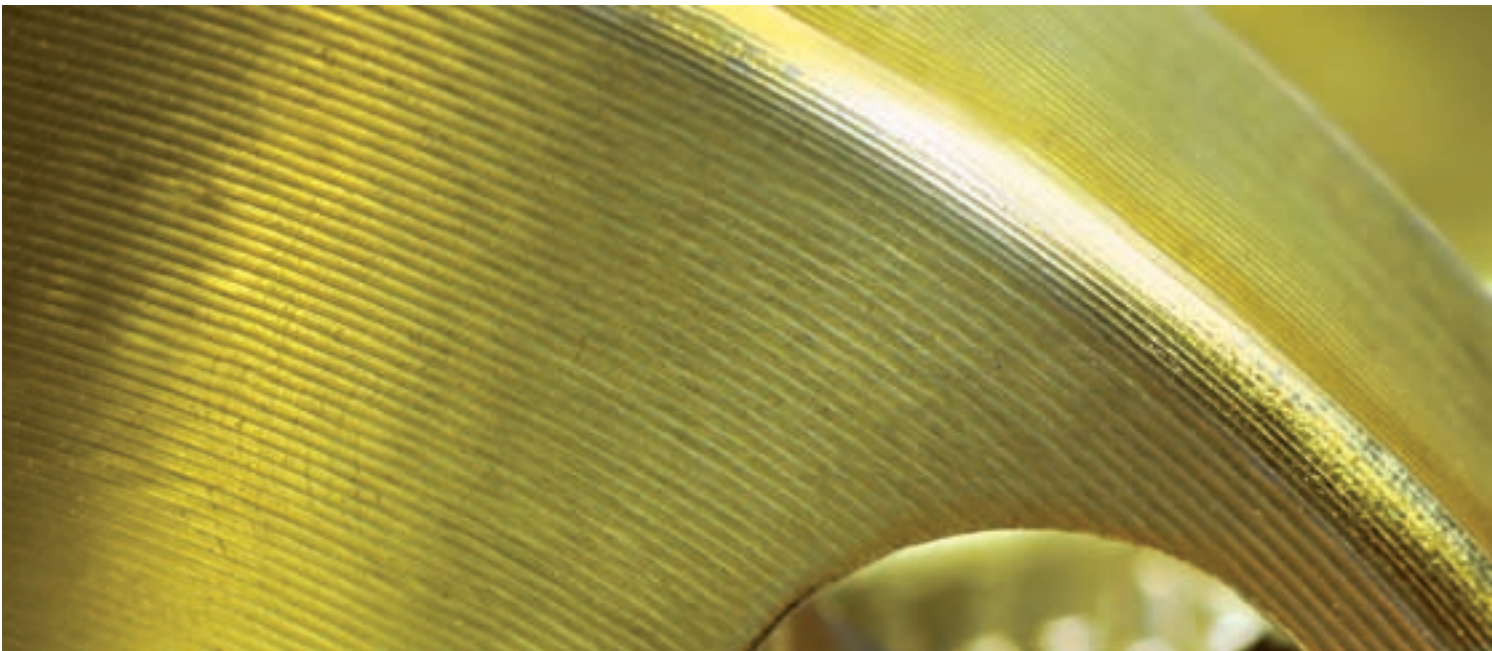


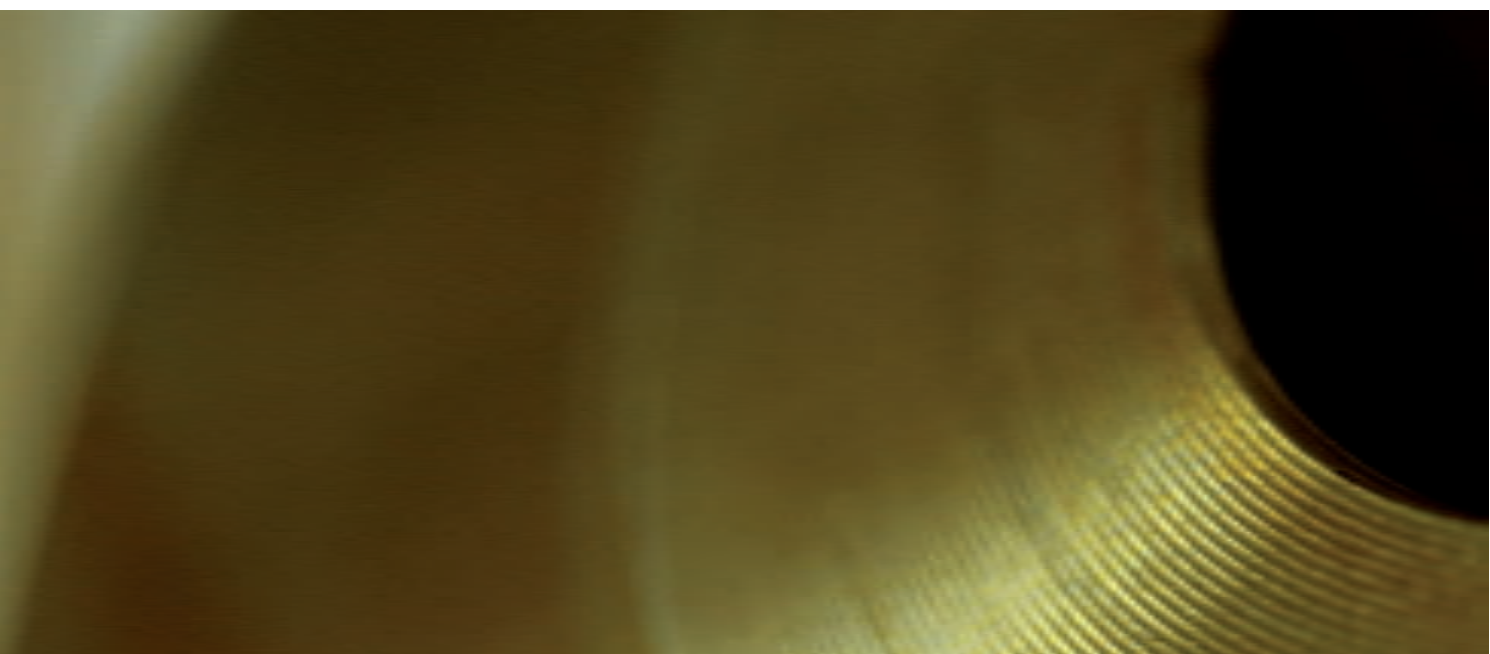
600 LB/SQ. IN.

SLIP ON FLANGES RING JOINT TYPE

B.S. 3293

Pipe		Flange				Hub		Raised Face	Drilling Template			Ring Joint			Approx. Weight
Nom. Size DN	OD in. mm	D in. mm	J in. mm	b in. mm	h in. mm	a in. mm	m in. mm	g in. mm	Number	I in. mm	k in. mm	p in. mm	E in. mm	F in. mm	Kilo
26"	26,0 660,4	40 1016,0	26 1/4 666,8	4 1/4 108	8 3/4 222,3	27 13/16 706,4	29 7/16 747,7	31 7/8 809,6	28	2 50,8	36 914,4	29 1/2 749,3	1/2 12,7	25/32 19,8	417
28"	28,0 711,2	42 1/4 1073,2	28 1/4 717,6	4 3/8 111,1	9 1/4 235	29 15/16 760,4	31 5/8 803,3	33 7/8 860,4	28	2 1/8 54,0	38 965,2	31 1/2 800,1	1/2 12,7	25/32 19,8	482
30"	30,0 762	44 1/2 1130,3	30 1/4 768,4	4 1/2 114,3	9 3/4 247,7	32 1/16 814,4	33 15/16 862,0	36 1/8 917,6	28	2 1/8 54,0	40 1/4 1022,4	33 3/4 857,3	1/2 12,7	25/32 19,8	537
32"	32,0 812,8	47 1193,8	32 1/4 819,2	4 5/8 117,5	10 1/4 260,4	34 3/16 868,4	36 1/8 917,6	38 3/4 984,3	28	2 3/8 60,3	42 1/2 1079,5	36 914,4	9/16 14,3	29/32 23,0	622
34"	34,0 863,6	49 1244,6	34 1/4 870	4 3/4 120,7	10 5/8 269,9	36 5/16 922,3	38 5/16 973,2	40 3/4 1035,0	28	2 3/8 60,3	44 1/2 1130,3	38 965,2	9/16 14,3	29/32 23,0	670
36"	36,0 914,4	51 3/4 1314,5	36 1/4 920,8	4 7/8 123,8	11 1/8 282,6	38 7/16 976,3	40 5/8 1031,9	43 1092,2	28	2 5/8 66,7	47 1193,8	40 1/4 1022,4	9/16 14,3	29/32 23,0	764



WELDING NECK & BLIND FLANGES ACC. TO ASME B 16.47 SERIES A

WELDING NECK FLANGES ACC. TO ASME B 16.47 SERIES A

Nominal Sizes from 26" to 60"

MSS SP-44 is a Standard Practice for steel pipe line flanges, developed and approved by the "Manufacturers' Standardization Society of the Valve and Fittings industry, inc." 127 Park Street, N. E., Vienna, Virginia 22180 USA

ASME B 16.47 SERIES A

GENERAL SURVEY

Nominal Pressure Ib/sq. in. Nenndruck kp/cm ² Nenndruck N/cm ²	150 10,6 104	300 21,1 207	400 28,1 276	600 42,2 414	900 63,3 621
Type of Flange	from 26" to max. Nominal Sizes				
Welding Neck Flanges	60"	60"	60"	60"	48"
Welding Neck Flanges Ring Joint Type	-	36"	36"	36"	36"
Materials The steel used shall be suitable for field welding to other flanges, fittings, or pipe manufactured under ASTM specifications A105, A53, A106, A381, A694, A707, or API Standards 5L and 5LX, C max, 0.35 %, C.E.max, 0.50 %.					
$C.E. = C + \frac{Mn}{6} + \frac{Cr + Mo + V}{5} + \frac{Ni + Cu}{15}$					

Dimensional Tolerances

Outside diameter, 0.06 in. (1.6 mm) raised face: Sizes NPS 26 and larger:!: 0.08 in. (2 mm). Outside diameter, 0.25 in. (6.4 mm) raised face: Sizes NPS 26 and larger:!: 0.04 in. (1 mm).

Flange Thickness

To 1.0 in. (25.4 mm):	+ 0.12 in. (3.0 mm), - 0
1.0 in. (25.4 mm) - 2.0 in. (50.8 mm):	+ 0.19 in. (4.8 mm), - 0
2.0 in. (50.8 mm) - 3.0 in. (76.2 mm):	+ 0.31 in. (7.9 mm), - 0
Over 3.0 in. (76.2 mm):	+ 0.38 in. (9.7 mm), - 0

Nominal outside diameter of welding ends of welding neck flanges

Sizes NPS 26 and larger	+ 0.21 in. (5.4 mm), - 0.06 in. (1.6 mm)
-------------------------	---------------------------------------------

Nominal inside diameter of welding ends of welding neck flanges

Sizes NPS 26 and larger	+ 0.12 in. (3.0 mm), - 0.06 in. (1.6 mm)
-------------------------	---------------------------------------------

Bolt circle diameter, ± 0.06 in. (1.6 mm)

Center-to-center of adjacent bolt holes,	± 0.03 in. (0.8mm)
------------------------------------------	--------------------

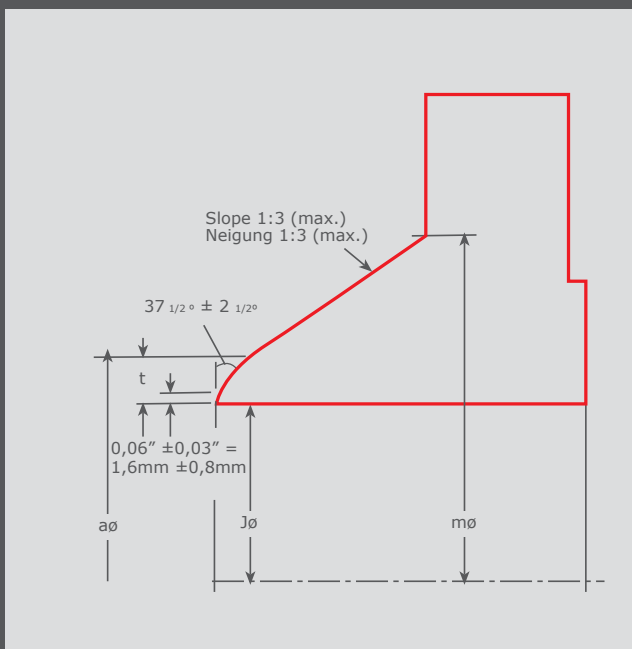
Eccentricity between bolt circle diameter and machined facing diameters

Sizes NPS 26 and larger °	0.06 in. (1.6 mm)
---------------------------	-------------------

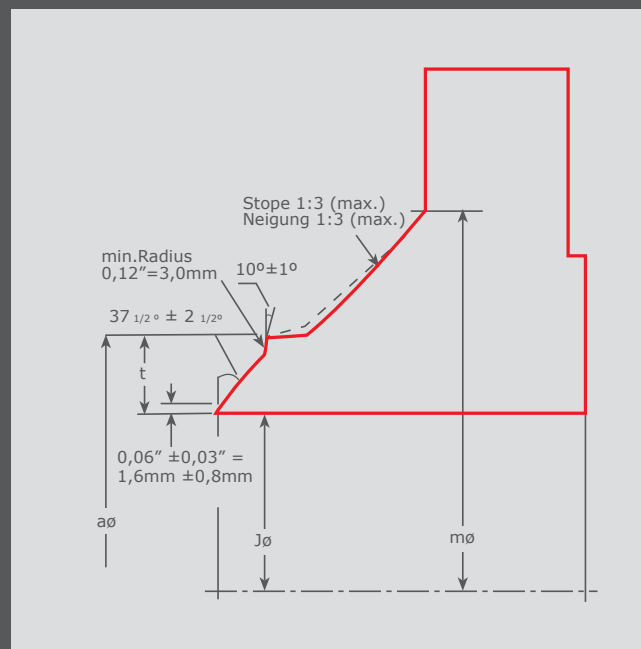
WELDING ENDS (WELDING NECK FLANGES)

ASME B 16.47 SERIES A

- a = Outside diameter of hub (top)
- t = Nominal pipe wall thickness
- J = Inside diameter
- m = Diameter of hub



Bevel for Wall Thicknesses (t) 0.19" to 0.88" inclusive

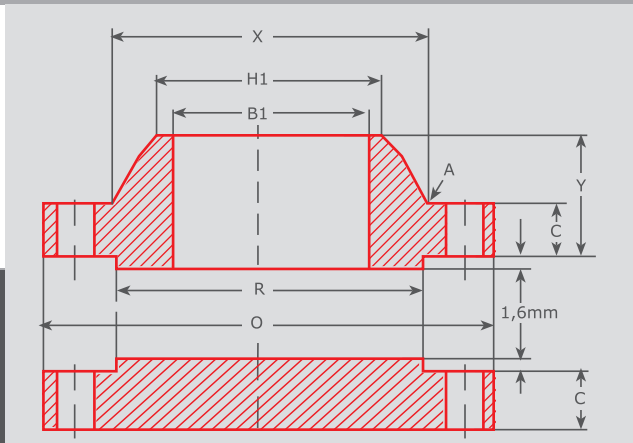


Bevel for Wall Thicknesses (t) greater than 0.88"

MARKING

Flanges shall be marked in accordance with the rules established in MSS Standard Practice SP-25, Standard Marking System for Valves, Fittings, Flanges, and Unions. In addition, the letters, "PL" shall precede the grade symbol marking.

ASME B 16.47 SERIES A



150 LB/SQ. IN. WELDING NECK FLANGES

ASME B 16.47 SERIES A

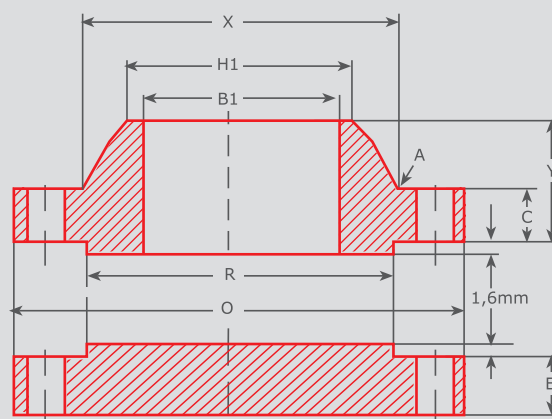
Pipe Size	Flange Dimensions			Hub Dimen. OD Large End Hub	Drilling			Raised Face Dia. R	Fillet Radius (min) A	Approx. Weight	
	OD Of Flange	Thick of Flange	Length Thru Hub		No. of Bolt Holes	Dia. of Bolt Holes	Dia. of Bolt Circle			Welding-Neck	Blind
	O	C	Y	X							
in. mm	in. mm	in. mm	in. mm	in. mm		in. mm	in. mm	in. mm	Radius in. mm	kg	kg
26,00 660,4	34,25 870,0	2,63 66,7	4,69 119,1	26,62 676,1	24	1,38 35,1	31,75 806,5	29,50 749,3	0,38 9,7	147	306
28,00 711,2	36,50 927,1	2,75 69,8	4,88 123,9	28,62 726,9	28	1,38 35,1	34,00 863,6	31,50 800,1	0,44 11,2	163	363
30,00 762,0	38,75 984,3	2,88 73,1	5,32 135,1	30,75 781,1	28	1,38 35,1	36,00 914,4	33,75 857,3	0,44 11,2	190	430
32,00 812,8	41,75 1060,5	3,12 79,2	5,63 142,9	32,75 831,9	28	1,62 41,1	38,50 977,9	36,00 914,4	0,44 11,2	238	537
34,00 863,6	43,75 1111,3	3,19 81	5,82 147,8	34,75 882,7	32	1,62 41,1	40,50 1028,7	38,00 965,2	0,50 12,7	255	600
36,00 914,4	46,00 1168,4	3,5 88,8	6,13 155,6	36,75 933,5	32	1,62 41,1	42,75 1085,9	40,25 1022,4	0,50 12,7	302	730
38,00 965,2	48,75 1238,3	3,38 85,8	6,13 155,6	39,00 990,6	32	1,62 41,1	45,25 1149,4	42,25 1073,2	0,50 12,7	342	792
40,00 1016,0	50,75 1289,1	3,5 88,8	6,38 162	41,00 1041,4	36	1,62 41,1	47,25 1200,2	44,25 1124,0	0,50 12,7	366	893
42,00 1066,8	53,00 1346,2	3,75 95,2	6,69 169,9	43,00 1092,2	36	1,62 41,1	49,50 1257,3	47,00 1193,8	0,50 12,7	419	1044
44,00 1117,6	55,25 1403,4	3,94 100	6,94 176,2	45,00 1143,0	40	1,62 41,1	51,75 1314,5	49,00 1244,6	0,50 12,7	459	1190
46,00 1168,4	57,25 1454,2	4 101,5	7,25 184,1	47,12 1196,8	40	1,62 41,1	53,75 1365,3	51,00 1295,4	0,50 12,7	500	1299
48,00 1219,2	59,50 1511,3	4,19 106,4	7,5 189,7	49,12 1247,6	44	1,62 41,1	56,00 1422,4	53,50 1358,9	0,50 12,7	552	1470
50,00 1270,0	61,75 1568,5	4,32 109,7	7,94 201,6	51,25 1301,8	44	1,88 47,8	58,25 1479,6	55,50 1409,7	0,50 12,7	592	1615
52,00 1320,8	64,00 1625,6	4,5 114,2	8,19 208	53,25 1352,6	44	1,88 47,8	60,50 1536,7	57,50 1460,5	0,50 12,7	660	1817
54,00 1371,6	66,25 1682,8	4,69 119,1	8,44 214,3	55,25 1403,4	44	1,88 47,8	62,75 1593,9	59,50 1511,3	0,50 12,7	726	2031
56,00 1422,4	68,75 1746,3	4,82 122,4	8,94 227	57,38 1457,5	48	1,88 47,8	65,00 1651,0	62,00 1574,8	0,50 12,7	805	2244
58,00 1473,2	71,00 1803,4	5 126,9	9,19 233,4	59,38 1508,3	48	1,88 47,8	67,25 1708,2	64,00 1625,6	0,50 12,7	884	2491
60,00 1524,0	73,00 1854,2	5,13 130,2	9,38 238,2	61,38 1559,1	52	1,88 47,8	69,25 1759,0	66,00 1676,4	0,50 12,7	930	2697

ASME
B 16.47
SERIES
A
150

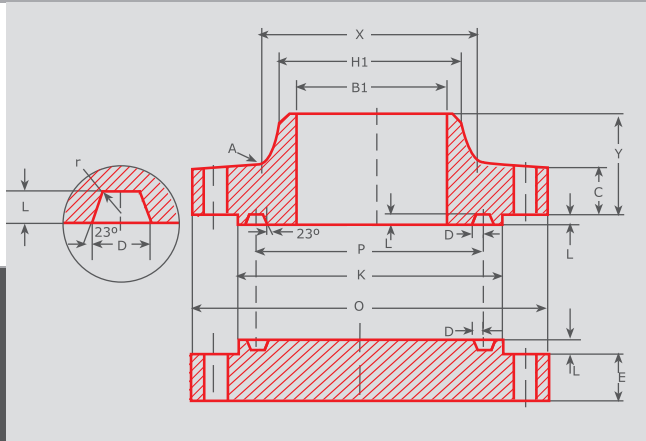
300 LB/SQ. IN.

WELDING NECK FLANGES

ASME B 16.47 SERIES A



Pipe Size	Flange Dimensions				Hub Dimen. OD Large End Hub	Drilling			Approx. Weight	
	OD Of Flange	Thick of Flange Weld-Neck	Bid. fig.	Length Thru Hub		No of Bolt Holes	Dia. of Bolt Holes	Dia. of Bolt Circle	Welding Neck	Blind
	O	C	E	y	X				kg	kg
in. mm	in. mm	in. mm	in. mm	in. mm	in. mm		in. mm	in. mm		
26,00 660.4	38,25 971.6	3,06 77,6	3,31 84.1	7,19 182,6	28,38 720.9	28	1,75 44,5	34,50 876.3	275	460
28,00 711.2	40,75 1035,1	3,32 84,3	3,56 90.4	7,69 195,3	30,50 774.7	28	1,75 44.5	37,00 939.8	340	566
30,00 762.0	43,00 1092,2	3,56 90,3	3,75 95.3	8,19 208	32,56 827,0	28	1,88 47.8	39,25 997.0	389	663
32,00 812.8	45,25 1149.4	3,82 97	3,94 100.1	8,69 220,7	34,69 881.1	28	2,00 50.8	41,50 1054.1	438	770
34,00 863,6	47,50 1206.5	3,94 100	4,12 104.6	9,06 230	36,88 936.8	28	2,00 50.8	43,50 1104.9	498	894
36,00 914.4	50,00 1270.0	4,06 103	4,38 111.3	9,44 239,7	39,00 990,6	32	2,12 53.8	46,00 1168.4	563	1040
38,00 965.2	46,00 1168.4	4,19 106,4	4,25 108.0	7,06 179,2	39,12 993.6	32	1,62 41.1	43,00 1092.2	307	872
40,00 1016,0	48,75 1238.3	4,44 112,7	4,50 114,3	7,56 191,9	41,25 1047.8	32	1,75 44.5	45,50 1155.7	372	1035
42,00 1066.8	50,75 1289.1	4,63 117,5	4,69 119.1	7,82 198,6	43,25 1098,6	32	1,75 44.5	47,50 1206.5	409	1173
44,00 1117.6	53,25 1352.6	4,82 122,4	4,88 124.0	8,06 204,6	45,25 1149.4	32	1,88 47.8	49,75 1263.7	464	1340
46,00 1168,4	55,75 1416.1	5 126,9	5,06 128.5	8,44 214,3	47,38 1203.5	28	2,00 50.8	52,00 1320.8	544	1600
48,00 1219.2	57,75 1466.9	5,19 131,8	5,25 133.4	8,75 221,3	49,38 1254.3	32	2,00 50.8	54,00 1371.6	567	1700
50,00 1270.0	60,25 1530.4	5,44 138,1	5,50 139.7	9,06 230	51,38 1305.1	32	2,12 53,8	56,25 1428,8	643	1936
52,00 1320.8	62,25 1581.2	5,63 142,9	5,69 144.5	9,32 236,7	53,38 1355,9	32	2,12 53,8	58,25 1479.6	694	2143
54,00 1371.6	65,25 1657.4	5,94 150,8	6,00 152.4	9,88 250,9	55,50 1409.7	28	2,38 60.5	61,00 1549.4	832	2486
56,00 1422.4	67,25 1708.2	6 152,3	6,06 153.9	10,19 258,8	57,62 1463.5	28	2,38 60.5	63,00 1600.2	882	2674
58,00 1473.2	69,25 1759.0	6,19 157,2	6,25 158.8	10,44 265,1	59,62 1514,3	32	2,38 60.5	65,00 1651.0	928	2913
60,00 1524,0	71,25 1809,8	6,38 162	6,44 163,6	10,69 271,5	61,62 1565,1	32	2,38 60.5	67,00 1701,8	989	3184



300 LB/SQ. IN. WELDING NECK FLANGES

ASME B 16.47 SERIES A

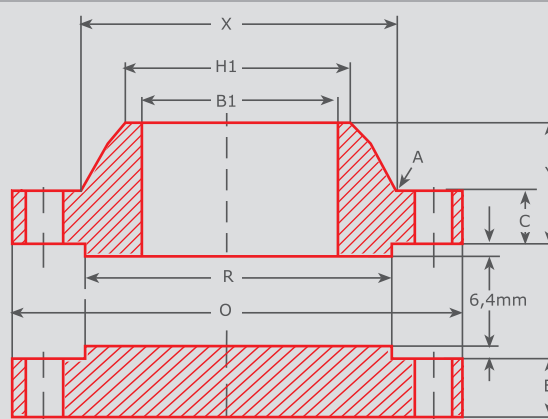
Pipe Size	Raised Face Dia,	Fillet Radius (min)	Facing Dimensions					Groove Fillet Radius
			Ring Type Joint					
			Facing Dia.	Depth of Groove	Pitch Dia,	Width of Groove	Ring No.	
	R	A	K	L	P	D	A	r
in. mm	in. mm	Radius in. mm	in. mm	in. mm	in. mm	in. mm	Ring Nr.	Radius in. mm
26,00 660,4	29,50 749,3	0,38 9,7	31,88 809,8	0,50 12,7	29,50 749,3	0,78 19,8	R93	0,06 1,5
28,00 711,2	31,50 800,1	0,44 11,2	33,88 860,6	0,50 12,7	31,50 800,1	0,78 19,8	R94	0,06 1,5
30,00 762,0	33,75 857,3	0,44 11,2	36,12 917,4	0,50 12,7	33,75 857,3	0,78 19,8	R95	0,06 1,5
32,00 812,8	36,00 914,4	0,44 11,2	38,75 984,3	0,56 14,3	36,00 914,4	0,91 23,0	R96	0,06 1,5
34,00 863,6	38,00 965,2	0,50 12,7	40,75 1035,1	0,56 14,3	38,00 965,2	0,91 23,0	R97	0,06 1,5
36,00 914,4	40,25 1022,4	0,50 12,7	43,00 1092,2	0,56 14,3	40,25 1022,4	0,91 23,0	R98	0,06 1,5
38,00 965,2	40,50 1028,7	0,50 12,7	-	-	-	-	-	-
40,00 1016,0	42,75 1085,9	0,50 12,7	-	-	-	-	-	-
42,00 1066,8	44,75 1136,7	0,50 12,7	-	-	-	-	-	-
44,00 1117,6	47,00 1193,8	0,50 12,7	-	-	-	-	-	-
46,00 1168,4	49,00 1244,6	0,50 12,7	-	-	-	-	-	-
48,00 1219,2	51,25 1301,8	0,50 12,7	-	-	-	-	-	-
50,00 1270,0	53,50 1358,9	0,50 12,7	-	-	-	-	-	-
52,00 1320,8	55,50 1409,7	0,50 12,7	-	-	-	-	-	-
54,00 1371,6	57,75 1466,9	0,50 12,7	-	-	-	-	-	-
56,00 1422,4	59,75 1517,7	0,50 12,7	-	-	-	-	-	-
58,00 1473,2	62,00 1574,8	0,50 12,7	-	-	-	-	-	-
60,00 1524,0	64,00 1625,6	0,50 12,7	-	-	-	-	-	-

ASME
B 16.47
SERIES
A
300

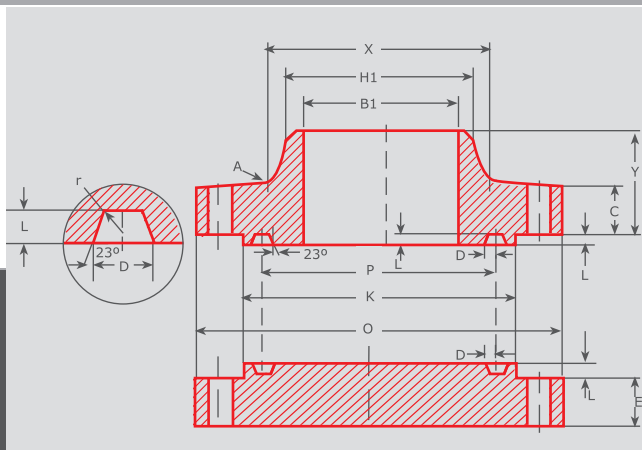
400 LB/SQ. IN.

WELDING NECK FLANGES

ASME B 16.47 SERIES A



Pipe Size	Flange Dimensions				Hub Dimen.	Drilling			Approx. Weight	
	OD of Flange	Thick of Flange		Length Thru Hub		No. of Bolt Holes	Dia. of Bolt Holes	Dia. of Bolt Circle	Welding Neck	Blind
	O	C	E		Y					
in. mm	in. mm	in. mm	in. mm	in. mm	in. mm		in. mm	in. mm		
26,00 660,4	38,25 971,6	3,50 88,9	3,88 98,6	7,62 193,5	28,62 726,9	28	1,88 47,8	34,50 876,3	304	534
28,00 711,2	40,75 1035,1	3,75 95,3	4,12 104,6	8,12 206,2	30,81 782,6	28	2,00 50,8	37,00 939,8	362	645
30,00 762,0	43,00 1092,2	4,00 101,6	4,38 111,3	8,62 218,9	32,94 836,7	28	2,12 53,8	39,25 997,0	415	760
32,00 812,8	45,25 1149,4	4,25 108,0	4,56 115,8	9,12 231,6	35,00 889,0	28	2,12 53,8	41,50 1054,1	478	885
34,00 863,6	47,50 1206,5	4,38 111,3	4,81 122,2	9,50 241,3	37,19 944,6	28	2,12 53,8	43,50 1104,9	538	1035
36,00 914,4	50,00 1270,0	4,50 114,3	5,06 128,5	9,88 251,0	39,38 1000,3	32	2,12 53,8	46,00 1168,4	604	1205
38,00 965,2	47,50 1206,5	4,88 124,0	4,88 124,0	8,12 206,2	39,50 1003,3	32	1,88 47,8	44,00 1117,6	406	1055
40,00 1016,0	50,00 1270,0	5,12 130,0	5,12 130,0	8,50 215,9	41,50 1054,1	32	2,00 50,8	46,25 1174,8	473	1229
42,00 1066,8	52,00 1320,8	5,25 133,4	5,52 133,4	8,81 223,8	43,62 1107,9	32	2,00 50,8	48,25 1225,6	513	1366
44,00 1117,6	54,50 1384,3	5,50 139,7	5,50 139,7	9,19 233,4	45,62 1158,7	32	2,12 53,8	50,50 1282,7	586	1569
46,00 1168,4	56,75 1441,5	5,75 146,1	5,75 146,1	9,62 244,3	47,75 1212,9	36	2,12 53,8	52,75 1339,9	648	1776
48,00 1219,2	59,50 1511,3	6,00 152,4	6,00 152,4	10,12 256,0	49,88 1267,0	28	2,38 60,5	55,25 1403,4	768	2043
50,00 1270,0	61,75 1568,5	6,19 157,2	6,25 158,8	10,56 268,2	52,00 1320,8	32	2,38 60,5	57,50 1460,5	832	2294
52,00 1320,8	63,75 1619,3	6,38 162,1	6,44 163,6	10,88 276,4	54,00 1371,6	32	2,38 60,5	59,50 1511,3	897	2500
54,00 1371,6	67,00 1701,8	6,69 169,9	6,75 171,5	11,38 289,1	56,12 1425,4	28	2,62 66,5	62,25 1581,2	1086	2900
56,00 1422,4	69,00 1752,6	6,88 174,8	6,94 176,3	11,75 298,5	58,25 1479,6	32	2,62 66,5	64,25 1632,0	1139	3174
58,00 1473,2	71,00 1803,4	7,00 177,8	7,12 180,8	12,06 306,3	60,25 1530,4	32	2,62 66,5	66,25 1682,8	1208	3462
60,00 1524,0	74,25 1886,0	7,31 185,7	7,44 189,0	12,56 319,0	62,38 1584,5	32	2,88 73,2	69,00 1752,6	1408	3940



400 LB/SQ. IN. WELDING NECK FLANGES

ASME B 16.47 SERIES A

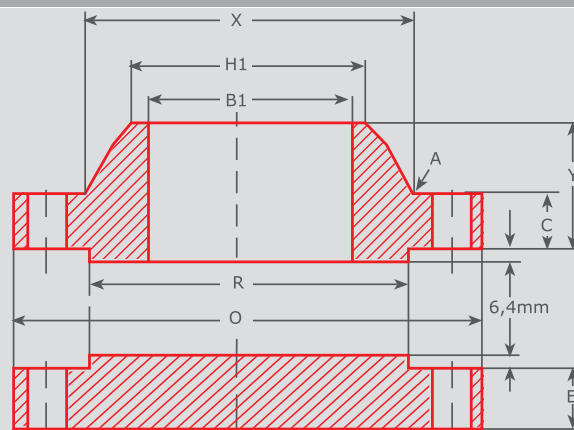
Pipe Size	Raised Face Dia.	Fillet Radius (min)	Facing Dimensions					Groove Fillet Radius
			Ring Type Joint					
			Facing Dia.	Depth of Groove	Pitch Dia.	Width of Groove	Ring No.	
	R	A	K	L	P	D	A	r
in. mm	in. mm	Radius in. mm	in. mm	in. mm	in. mm	in. mm	Ring Nr.	Radius in. mm
26,00 660,4	29,50 749,3	0,44 11,2	31,88 809,8	0,50 12,7	29,50 749,3	0,78 19,8	R93	0,06 1,5
28,00 711.2	31,50 800,1	0,50 12,7	33,88 860,6	0,50 12,7	31,50 800.1	0,78 19,8	R94	0,06 1,5
30,00 762,0	33,75 857,3	0,50 12,7	36,12 917,4	0,50 12,7	33,75 857,3	0,78 19,8	R95	0,06 1,5
32,00 812.8	36,00 914,4	0,50 12,7	38,75 984,3	0,56 14,3	36,00 914.4	0,91 230	R96	0,06 1,5
34,00 863,6	38,00 965,2	0,56 14,2	40,75 1035,1	0,56 14,3	38,00 965,2	0,91 23,0	R97	0,06 1,5
36,00 914.4	40,25 1022,4	0,56 14,2	43,00 1092.2	0,56 14,3	40,25 1022,4	0,91 23.0	R98	0,06 1,5
38,00 965,2	40,75 1035.1	0,56 14,2	-	-	-	-	-	-
40,00 1016.0	43,00 1092.2	0,56 142	-	-	-	-	-	-
42,00 1 066.8	45,00 1143.0	0,56 142	-	-	-	-	-	-
44,00 1117,6	47,25 1200.2	0,56 14,2	-	-	-	-	-	-
46,00 1168,4	49,50 1257,3	0,56 142	-	-	-	-	-	-
48,00 1219.2	51,50 1308.1	0,56 142	-	-	-	-	-	-
50,00 1270.0	53,62 1361.9	0,56 142	-	-	-	-	-	-
52,00 1320.8	55,62 1412.7	0,56 14,2	-	-	-	-	-	-
54,00 1371.6	57,88 1470.2	0,56 142	-	-	-	-	-	-
56,00 1422,4	60,12 1527.0	0,56 142	-	-	-	-	-	-
58,00 1473,2	62,12 1577.8	0,56 142	-	-	-	-	-	-
60,00 1524,0	64,38 1635,3	0,56 14,2	-	-	-	-	-	-

ASME
B 16.47
SERIES
A
400

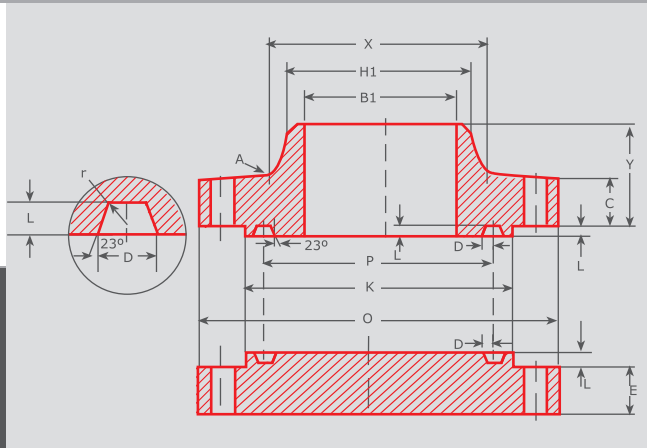
600 LB/SQ. IN.

WELDING NECK FLANGES

ASME B 16.47 SERIES A



Pipe Size	Flange Dimensions				Hub Dimen. OD Large End Hub	Drilling			Approx. Weight	
	OD of Flange	Thick of Flange		Length Thru Hub		No of Bolt Holes	Dia, of Bolt Holes	Dia. of Bolt Circle	Welding Neck	Blind
	O	C	E	Y	X				kg	kg
in. mm	in. mm	in. mm	in. mm	in. mm	in. mm		in. mm	in. mm		
26,00 660.4	40 1016	4,25 108	4,94 125.5	8,75 222,3	29,44 747.8	28	2 50,8	36 914.4	427	740
28,00 711,2	42,25 1073,2	4,38 111.3	5,19 131,8	9,25 235	31,62 803.1	28	2,12 53.8	38 965.2	479	869
30,00 762	44,5 1130,3	4,5 114.3	5,5 139,7	9,75 247.7	33,94 862.1	28	2,12 53.8	40,25 1022.4	545	1030
32,00 812.8	47 1193.8	4,62 117.3	5,81 147.6	10,25 260,4	36,12 917.4	28	2,38 60,5	42,5 1079,5	610	1204
34,00 863,6	49 1244.6	4,75 120.7	6,06 153.9	10,62 269.7	38,31 973.1	28	2,38 60.5	44,5 1130,3	666	1371
36,00 914,4	51,75 1314,5	4,88 124	6,38 162.1	11,12 282.4	40,62 1031,7	28	2,62 66,5	47 1193.8	755	1600
38,00 965.2	50 1270	6 152,4	6,12 155.7	10 254	40,25 1022,4	28	2,38 60,5	45,75 1162,1	640	1447
40,00 101.6	52 1320,8	6,25 158.8	6,38 162.1	10,38 263.7	42,25 1073.2	32	2,38 60.5	47,75 1212.9	683	1620
42,00 1066.8	55,25 1403.4	6,62 168,1	6,75 171,5	11 279.4	44,38 1127,3	28	2,62 66.5	50,5 1282.7	754	1948
44,00 1117,6	57,25 1454,2	6,81 173	7 177,8	11,38 289.1	46,5 1181.1	32	2,62 66.5	52,5 1333.5	903	2100
46,00 1168,4	59,5 1511.3	7,06 179.3	7,31 185.7	11,81 300	48,62 1234.9	32	2,62 66.5	54,75 1390.7	1054	2450
48,00 1219,2	62,75 1593,9	7,44 189	7,69 195.3	12,44 314.7	50,75 1289,1	32	2,88 73,2	57,5 1460.5	1200	2850
50,00 1270	65,75 1670,1	7,75 196,9	8 203,2	12,94 328.7	52,88 1343.2	28	3,12 79.2	60 1524	1363	3233
52,00 1320,8	67,75 1720,9	8 203.2	8,25 209.6	13,25 336.6	54,88 1394	32	3,12 79.2	62 1574.8	1466	3570
54,00 1371,6	70 1778	8,25 209.6	8,56 217.4	13,75 349.3	57 1447.8	32	3,12 79.2	64,25 1632	1605	3968
56,00 1422,4	73,00 1854,2	8,56 217,4	8,88 225,6	14,25 362,0	59,12 1501,6	32	3,38 85,9	66,75 1695,5	1709	4450
58,00 1473,2	75,00 1905,0	8,75 222,3	9,12 231.6	14,56 3369.8	61,12 1552,4	32	3,38 85,9	68,75 1746,3	1916	4850
60,00 1524,0	78,50 1993,9	9,19 233,4	9,56 242,8	15,31 388,9	63,38 1609,9	28	3,62 91,9	71,75 1822,5	2300	5588



600 LB/SQ. IN. WELDING NECK FLANGES

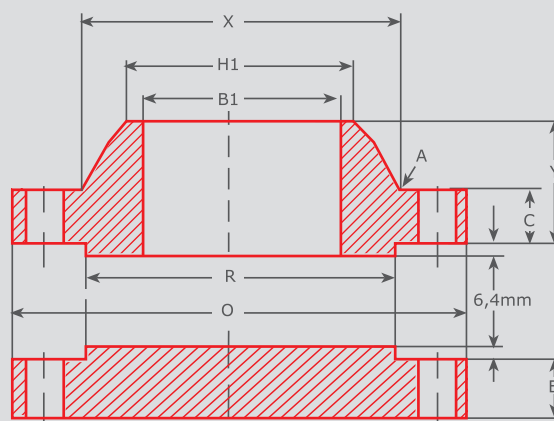
ASME B 16.47 SERIES A

Pipe Size	Raised Face Dia.	Fillet Radius (min)	Facing Dimensions					Groove Fillet Radius
			Ring Type Joint					
			Facing Dia.	Depth of Groove	Pitch Dia.	Width of Groove	Ring No.	
	R	A	K	L	P	D	A	r
in. mm	in. mm	in. mm	in. mm	in. mm	in. mm	in. mm	Ring Nr.	Radius in. mm
26,00 660,4	29,50 749,3	0,50 12,7	31,88 809,8	0,50 12,7	29,50 49,3	0,78 19,8	R93	0,06 1,5
28,00 711,2	31,50 800,1	0,50 12,7	33,88 860,6	0,50 12,7	31,50 800,1	0,78 19,8	R94	0,06 1,5
30,00 762,0	33,75 857,3	0,50 12,7	36,12 917,4	0,50 12,7	33,75 857,3	0,78 19,8	R95	0,06 1,5
32,00 812,8	36,00 914,4	0,50 12,7	38,75 984,3	0,56 14,3	36,00 914,4	0,91 23,0	R96	0,06 1,5
34,00 863,6	38,00 965,2	0,56 14,2	40,75 1035,1	0,56 14,3	38,00 965,2	0,91 23,0	R97	0,06 1,5
36,00 914,4	40,25 1022,4	0,56 14,2	43,00 1092,2	0,56 14,3	40,25 1022,4	0,91 23,0	R98	0,06 1,5
38,00 965,2	41,50 1054,1	0,56 14,2	-	-	-	-	-	-
40,00 1016,0	43,75 1111,3	0,56 14,2	-	-	-	-	-	-
42,00 1066,8	46,00 1168,4	0,56 14,2	-	-	-	-	-	-
44,00 1117,6	48,25 1225,6	0,56 14,2	-	-	-	-	-	-
46,00 1168,4	50,25 1276,4	0,56 14,2	-	-	-	-	-	-
48,00 1219,2	52,50 1333,5	0,56 14,2	-	-	-	-	-	-
50,00 1270,0	54,50 1384,3	0,56 14,2	-	-	-	-	-	-
52,00 1320,8	56,50 1435,1	0,56 14,2	-	-	-	-	-	-
54,00 1371,6	58,75 1492,3	0,56 14,2	-	-	-	-	-	-
56,00 1422,4	60,75 1543,1	0,62 15,7	-	-	-	-	-	-
58,00 1473,2	63,00 1600,2	0,62 15,7	-	-	-	-	-	-
60,00 1524,0	65,25 1657,4	0,69 17,5	-	-	-	-	-	-

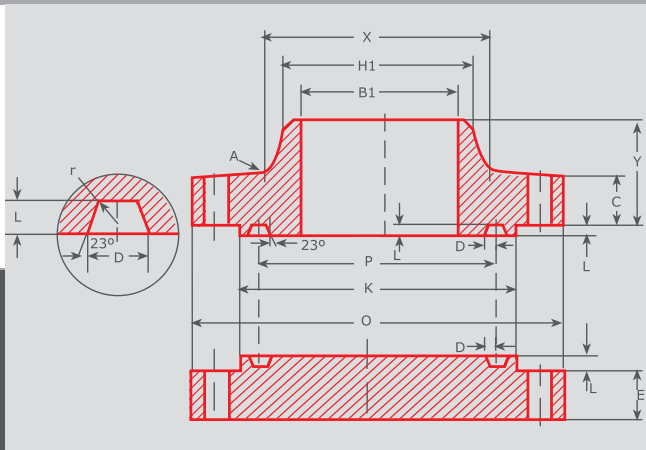
ASME
B 16.47
SERIES
A
600

900 LB/SQ. IN. WELDING NECK FLANGES

ASME B 16.47 SERIES A



Pipe Size	Flange Dimensions				Hub aD Large End Hub	Drilling			Approx. Weight	
	OD of Flange	Thick of Flange		Length Thru Hub		Dimen	Dia. of Bolt Holes	Dia. of Bolt Circle	Welding Neck kg	Blind kg
Weld- Neck		Bid. fig.	O		C					
in. mm	in. mm	in. mm	in. mm	in. mm	in. mm	in. mm	in. mm	in. mm	kg	kg
26,00 660,4	42,75 1085,9	5,50 139,7	6,31 160,3	11,25 285,8	30,50 774,7	20	2,88 73,2	37,50 952,5	692	1060
28,00 711,2	46,00 1168,4	5,62 142,7	6,75 171,5	11,75 298,5	32,75 831,9	20	3,12 79,2	40,25 1 022,4	822	1306
30,00 762,0	48,50 1231,9	5,88 149,4	7,18 182,4	12,25 311,2	35,00 889,0	20	3,12 79,2	42,75 1085,9	962	1565
32,00 812,8	51,75 1314,5	6,25 158,8	7,62 193,5	13,00 330,2	37,25 946,2	20	3,38 85,9	45,50 1155,7	1155	1885
34,00 863,6	55,00 1397,0	6,50 165,1	8,06 204,7	13,75 349,3	39,62 1006,3	20	3,62 91,9	48,25 1225,6	1348	2250
36,00 914,4	57,50 1460,5	6,75 171,5	8,44 214,4	14,25 362,0	41,88 1063,8	20	3,62 91,9	50,75 1289,1	1541	2595
38,00 965,2	57,50 1460,5	7,50 190,5	8,50 215,9	13,88 352,6	42,25 1073,2	20	3,62 91,9	50,75 1289,1	1537	2610
40,00 1016,0	59,50 1511,3	7,75 196,9	8,81 223,8	14,31 363,5	44,38 1127,3	24	3,62 91,9	52,75 1339,9	1643	2870
42,00 1066,8	61,50 1562,1	8,12 206,2	9,12 231,6	14,62 371,3	46,31 1176,3	24	3,62 91,9	54,75 1390,7	1798	3195
44,00 1117,6	64,88 1648,0	8,44 214,4	9,56 242,8	15,38 390,7	48,62 1234,9	24	3,88 98,6	57,62 1463,5	1952	3720
46,00 1168,4	68,25 1733,6	8,88 225,6	10,06 255,5	16,18 411,0	50,88 1292,4	24	4,12 104,6	60,50 1536,7	2107	4579
48,00 1219,2	70,25 1784,4	9,19 233,4	10,38 263,7	16,50 417,5	52,88 1343,2	24	4,12 104,6	62,50 1587,5	2260	4730

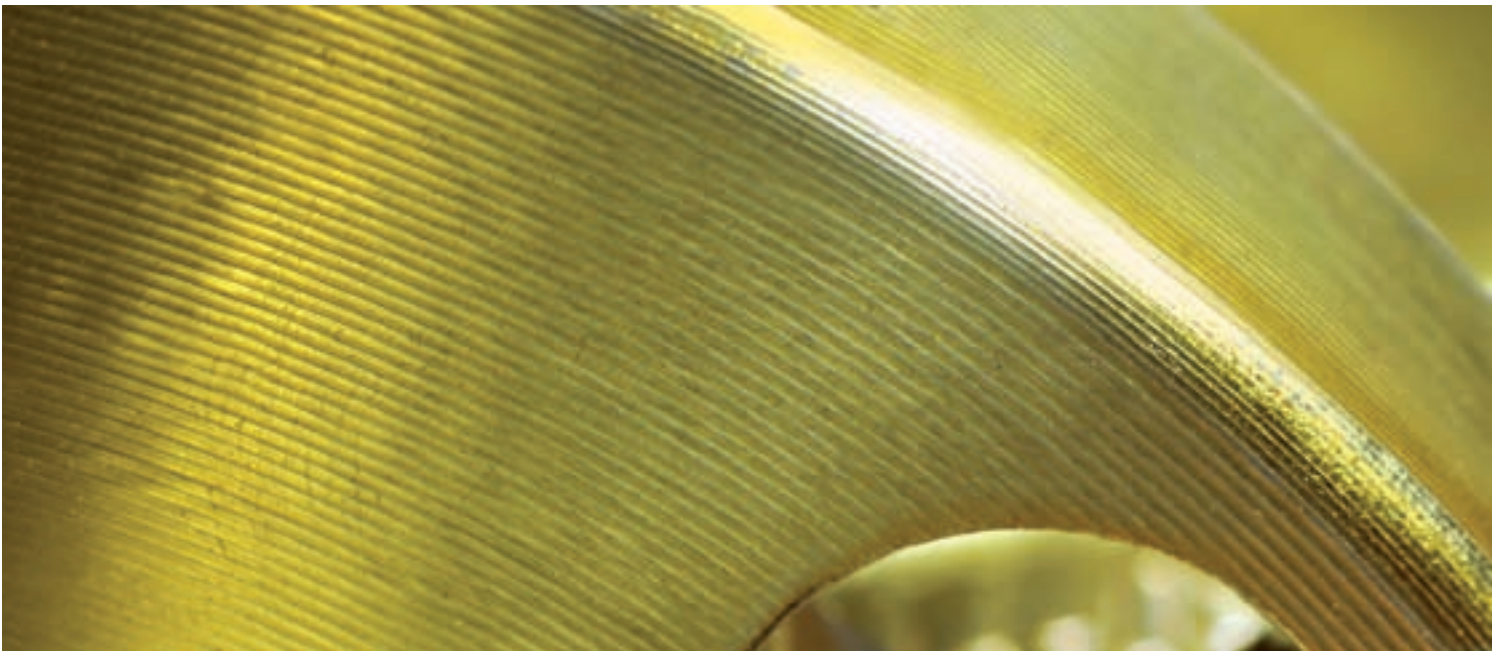


900 LB/SQ. IN. WELDING NECK FLANGES

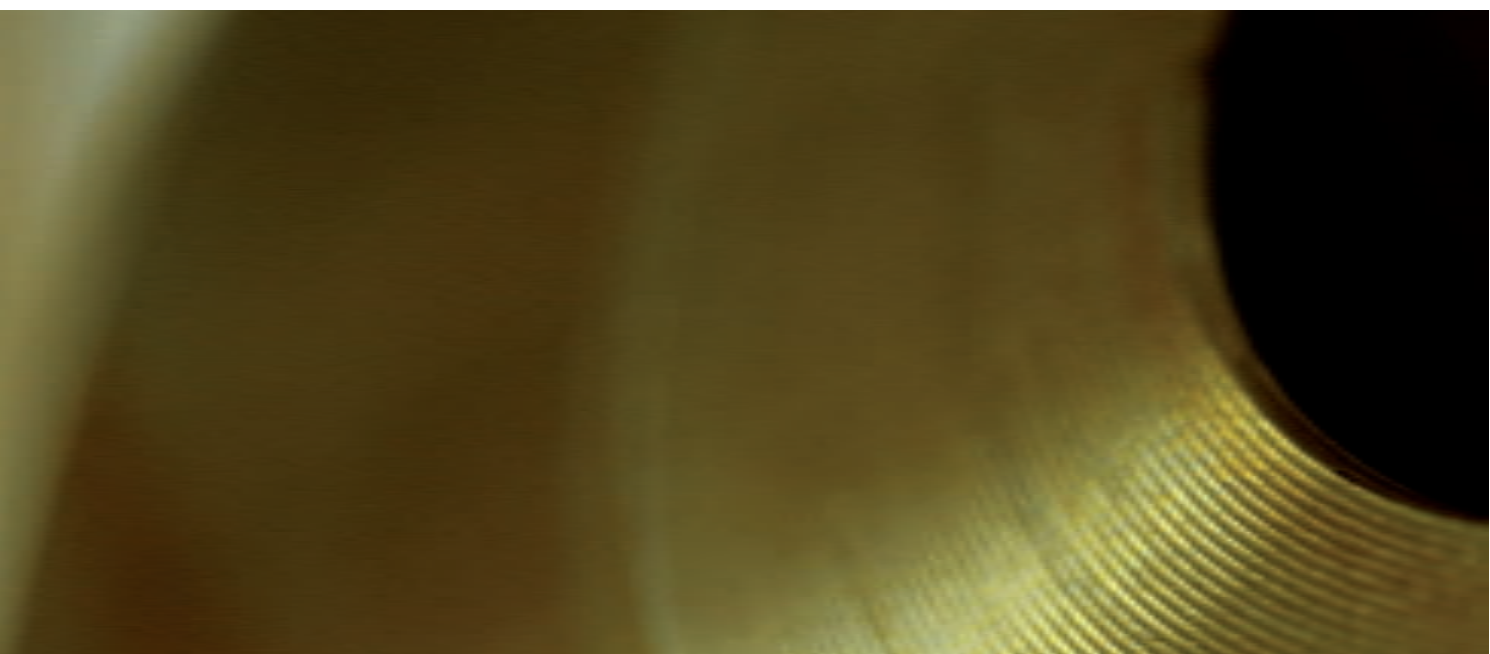
ASME B 16.47 SERIES A

Pipe Size	Raised Face Dia.	Fillet Radius (min)	Facing Dimensions					Groove Fillet Radius
			Ring Type Joint					
			Facing Dia	Depth of Groove	Pitch Dia.	Width of Groove	Ring No.	
	R	A	K	L	P	D	A	r
in. mm	in. mm	Radius in. mm	in. mm	in. mm	in. mm	in. mm	Ring Nr.	Radius in. mm
26,00 660,4	29,50 749,3	0,44 11,2	32,75 831,9	0,69 17,5	29,50 749,3	1,19 30,2	R100	0,09 2,3
28,00 711,2	31,50 800,1	0,50 12,7	35,00 889,0	0,69 17,5	31,50 800,1	1,31 33,3	R101	0,09 2,3
30,00 762,0	33,75 857,3	0,50 12,7	37,25 946,2	0,69 17,5	33,75 857,3	1,31 33,3	R102	0,09 2,3
32,00 812,8	36,00 914,4	0,50 12,7	39,50 1003,3	0,69 17,5	36,00 914,4	1,31 33,3	R103	0,09 2,3
34,00 863,6	38,00 965,2	0,56 14,2	42,00 1066,8	0,81 20,6	38,00 965,2	1,44 36,5	R104	0,09 2,3
36,00 914,4	40,25 1022,4	0,56 14,2	44,25 1124,0	0,81 20,6	40,25 1022,4	1,44 36,5	R105	0,09 2,3
38,00 965,2	43,25 1098,6	0,75 19,1	-	-	-	-	-	-
40,00 1016,0	45,75 1162,1	0,81 20,6	-	-	-	-	-	-
42,00 1066,8	47,75 1212,9	0,81 20,6	-	-	-	-	-	-
44,00 1117,6	50,00 1270,0	0,88 22,4	-	-	-	-	-	-
46,00 1168,4	52,50 1333,5	0,88 22,4	-	-	-	-	-	-
48,00 1219,2	54,50 1384,3	0,94 23,9	-	-	-	-	-	-

ASME
B 16.47
SERIES
A
900



WELDING NECK & BLIND FLANGES ACC. TO ASME B 16.47 SERIES B



ASME B 16.47 SERIES B

ASME B 16.47 SERIES B WELDING NECK AND BLIND FLANGES

Nominal Sizes from 26" to 60"
The API-605 flanges are designated as Series B in this standard.

ASME B 16.47 SERIES B

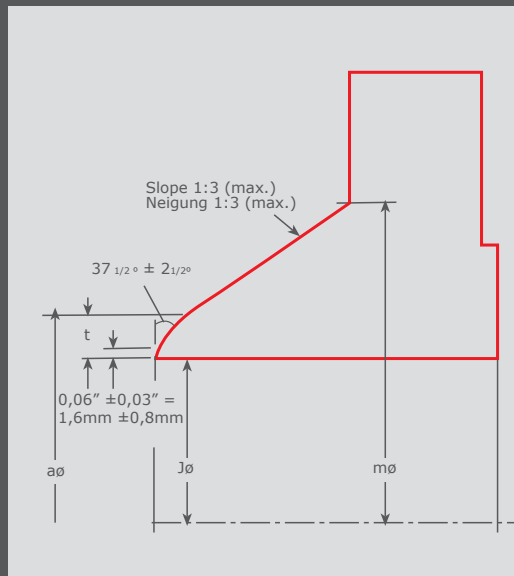
GENERAL SURVEY

Nominal Pressure lb/sq. in. Nenndruck kp/cm ² Nenndruck Niem ²	75 5,3 52	150 10,6 104	300 21,1 207	400 25,1 276	600 42,2 414	900 63,3 621
Type of Flange	from 26" to max. Nominal Sizes					
Welding Neck Flanges	60"	60"	60"	36"	36"	36"
Blind Flanges	60"	50"	60"	36"	36-	36"

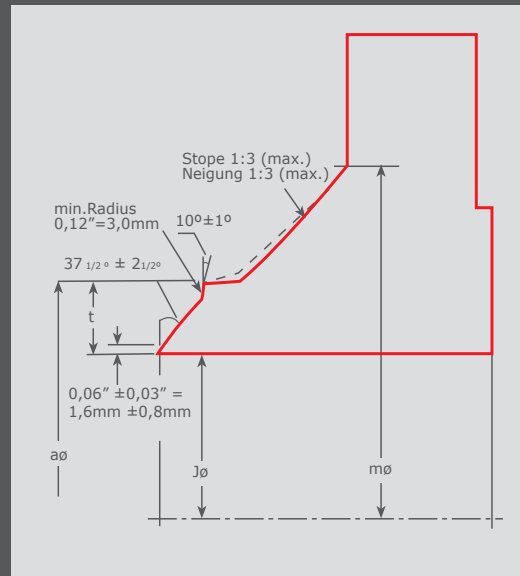
Facings, Dimensional Tolerances and Marking
in acc. to ASME 816.47

WELDING ENDS (WELDING NECK FLANGES)

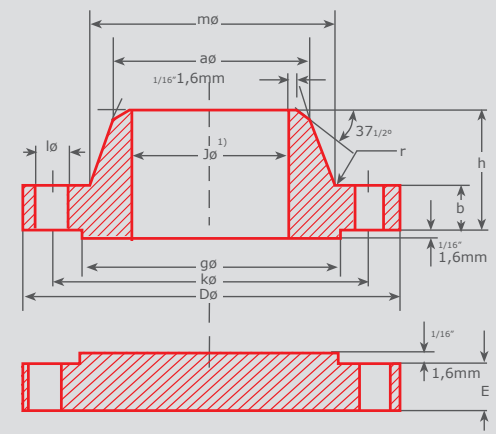
- a = Outside diameter of hub (top)
- t = Nominal pipe wall thickness
- J = Inside diameter
- m = Diameter of hub



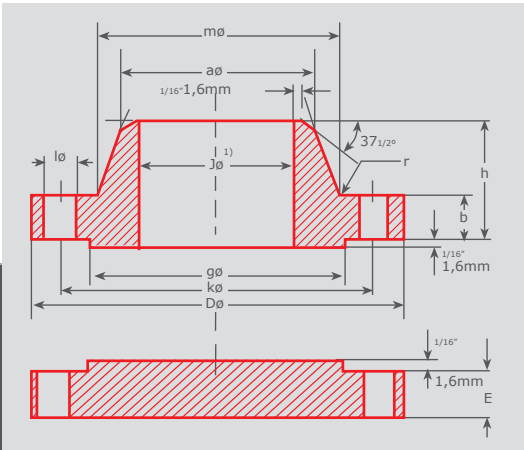
Bevel for Wall Thicknesses (t) 0.19" to 0.55" inclusive



Bevel for Wall Thicknesses (t) greater than 0.55"

75 LB/SQ. IN.**WELDING NECK & BLIND FLANGES****ASME B 16.47
SERIES B**

Pipe		Flange Dimensions				Hub			Raised Face	Drilling Template			Approx. Weight	Approx. Weight
Nom. Size DN	OD in. mm	D in. mm	E in. mm	b in. mm	h in. mm	a in. mm	m in. mm	r in. mm	g in. mm	Number	I in. mm	k in. mm	Weld. N. Kilo	Blind Kilo
26"	26 660,4	30 762,0	1,31 33,3	1,25 31,7	2,25 57,1	26,06 661,9	26,62 676,1	0,31 7,9	27,75 704,9	36	0,75 19,1	28,5 723,9	40	116
28"	28,0 711,2	32 812,8	1,31 33,3	1,25 31,7	2,38 60,4	28,06 712,7	28,62 726,9	0,31 7,9	29,75 755,7	40	0,75 19,1	30,5 774,7	44	132
30"	30 762,0	34 863,6	1,31 33,3	1,25 31,7	2,5 63,4	30,06 763,5	30,62 777,7	0,31 7,9	31,75 806,5	44	0,75 19,1	32,5 825,5	48	150
32"	32 812,8	36 914,4	1,44 36,6	1,32 33,5	2,69 68,3	32,06 814,3	32,62 828,5	0,31 7,9	33,75 857,3	48	0,75 19,1	34,5 876,3	54	177
34"	34 863,6	38 965,2	1,50 38,1	1,32 33,5	2,82 71,6	34,06 865,1	34,62 879,3	0,31 7,9	35,75 908,1	52	0,75 19,1	36,5 927,1	59	196
36"	36 914,4	40,69 1033,5	1,67 42,4	1,38 35	3,32 84,3	36,06 915,9	36,81 935,0	0,38 9,7	38 965,2	40	0,88 22,4	39,06 992,1	78	236
38"	38,00 965,2	42,69 1084,3	1,75 44,5	1,44 36,5	3,44 87,3	38,06 966,7	38,81 985,8	0,38 9,7	40 1016,0	40	0,88 22,4	41,06 1042,9	85	271
40"	40,00 1016,0	44,69 1135,1	1,75 44,5	1,44 36,5	3,56 90,3	40,06 1017,5	40,81 1036,6	0,38 9,7	42 1066,8	44	0,88 22,4	43,06 1093,7	93	346
42"	42 1066,8	46,69 1185,9	1,88 47,8	1,5 38	3,69 93,7	42,06 1068,3	42,81 1087,4	0,38 9,7	44 1117,6	48	0,88 22,4	45,06 1144,5	100	407
44"	44 1117,6	49,25 1251,0	1,94 49,3	1,63 41,3	4,06 103	44,06 1119,1	44,88 1140,0	0,38 9,7	46,25 1174,8	36	1,00 25,4	47,38 1203,5	113	484
46"	46 1168,4	51,25 1301,8	2,00 50,8	1,69 42,9	4,19 106,4	46,06 1169,9	46,88 1190,8	0,38 9,7	48,25 1225,6	40	1,00 25,4	49,38 1254,3	127	539
48"	48 1219,2	53,25 1352,6	2,12 53,8	1,75 44,4	4,32 109,7	48,06 1220,7	48,88 1241,6	0,38 9,7	50,25 1276,4	44	1,00 25,4	51,38 1305,1	141	598
50"	50,00 1270,0	55,25 1403,4	2,18 55,4	1,82 46,2	4,5 114,2	50,06 1271,5	50,94 1293,9	0,38 9,7	52,25 1327,2	44	1,00 25,4	53,38 1355,9	153	684
52"	52,00 1320,8	57,38 1457,5	2,25 57,2	1,82 46,2	4,69 119,1	52,06 1322,3	52,94 1344,7	0,38 9,7	54,25 1378,0	48	1,00 25,4	55,50 1409,7	160	758
54"	54,00 1371,6	59,38 1508,3	2,38 60,5	1,88 47,7	4,88 123,9	54,06 1373,1	55,00 1397,0	0,38 9,7	56,25 1428,8	48	1,00 25,4	57,50 1460,5	177	837
56"	56,00 1422,4	62,00 1574,8	2,44 62,0	1,94 49,2	5,25 133,3	56,06 1423,9	57,12 1450,8	0,44 11,2	58,50 1485,9	40	1,12 28,4	59,88 1521,0	198	959
58"	58,00 1473,2	64,00 1625,6	2,50 63,5	2 50,7	5,38 136,6	58,06 1474,7	59,12 1501,6	0,44 11,2	60,50 1536,7	44	1,12 28,4	61,88 1571,8	218	1046
60"	60,00 1524,0	66,00 1676,4	2,62 66,5	2,13 54	5,63 142,9	60,06 1525,5	61,12 1552,4	0,44 11,2	62,50 1587,5	44	1,12 28,4	63,88 1622,6	245	1137



150 LB/SQ. IN. WELDING NECK & BLIND FLANGES

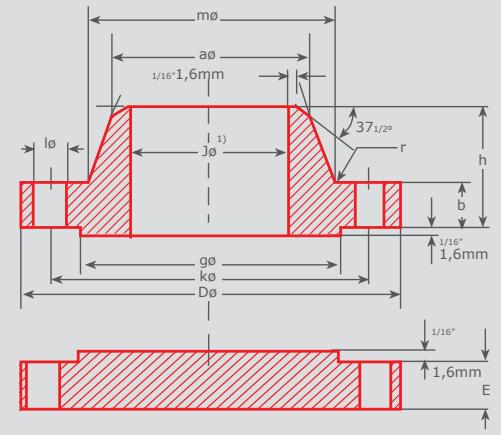
ASME B 16.47 SERIES B

Pipe		Flange Dimensions				Hub			Raised Face	Drilling Template			Approx. Weight	Approx. Weight
Nom. Size DN	OD in. mm	D in. mm	E in. mm	b in. mm	h in. mm	a in. mm	m in. mm	r in. mm	g in. mm	Number	I in. mm	k in. mm	Weld. N. Kilo	Blind Kilo
26"	26 660,4	30,94 785,9	1,75 44,5	1,56 39,5	3,44 87,3	26,06 661,9	26,94 684,3	0,38 9,7	28 711,2	36	0,88 22,4	29,31 744,5	63	165
28"	28,0 711,2	32,94 836,7	1,88 47,8	1,69 42,9	3,69 93,7	28,06 712,7	28,94 735,1	0,38 9,7	30 762,0	40	0,88 22,4	31,31 795,3	74	200
30"	30 762,0	34,94 887,5	2,00 50,8	1,69 42,9	3,88 98,5	30,06 763,5	31 787,4	0,38 9,7	32 812,8	44	0,88 22,4	33,31 846,1	80	226
32"	32 812,8	37,06 941,3	2,12 53,8	1,75 44,4	4,19 106,4	32,06 814,3	33,06 839,7	0,38 9,7	34 863,6	48	0,88 22,4	35,44 900,2	92	263
34"	34 863,6	39,56 1004,8	2,25 57,2	1,88 47,7	4,28 108,6	34,06 865,1	35,12 892,0	0,38 9,7	36,25 920,8	40	1,00 25,4	37,69 957,3	113	320
36"	36 914,4	41,62 1057,1	2,31 58,7	2 50,7	4,56 115,7	36,06 915,9	37,19 944,6	0,38 9,7	38,25 971,6	44	1,00 25,4	39,75 1009,7	129	374
38"	38,00 965,2	44,25 1124,0	2,50 63,5	2,06 52,2	4,82 122,4	38,12 968,2	39,25 997,0	0,38 9,7	40,25 1022,4	40	1,12 28,4	42,12 1069,8	150	434
40"	40,00 1016,0	46,25 1174,8	2,62 66,5	2,13 54	5 126,9	40,12 1019,0	41,31 1049,3	0,38 9,7	42,5 1079,5	44	1,12 28,4	44,12 1120,6	162	489
42"	42 1066,8	48,25 1225,6	2,69 68,3	2,25 57,1	5,19 131,8	42,12 1069,8	43,38 1101,9	0,44 11,2	44,5 1130,3	48	1,12 28,4	46,12 1171,4	184	560
44"	44 1117,6	50,25 1276,4	2,81 71,4	2,32 58,9	5,32 135,1	44,12 1120,6	45,38 1152,7	0,44 11,2	46,5 1181,1	52	1,12 28,4	48,12 1222,2	192	626
46"	46 1168,4	52,81 1341,4	2,94 74,7	2,38 60,4	5,63 142,9	46,12 1171,4	47,44 1205,0	0,44 11,2	48,62 1234,9	40	1,25 31,8	50,56 1284,2	224	709
48"	48 1219,2	54,81 1392,2	3,06 77,7	2,5 63,4	5,82 147,8	48,12 1222,2	49,5 1257,3	0,44 11,2	50,75 1289,1	44	1,25 31,8	52,56 1335,0	231	799
50"	50,00 1270,0	56,51 1435,4	3,18 80,8	2,63 66,7	6 152,3	50,12 1273,0	51,50 1308,1	0,44 11,2	52,75 1339,9	48	1,25 31,8	54,56 1385,8	263	899
52"	52,00 1320,8	58,81 1493,8	3,31 84,1	2,69 68,3	6,13 155,6	52,12 1323,8	53,56 1360,4	0,44 11,2	54,75 1390,7	52	1,25 31,8	56,56 1436,6	285	985
54"	54,00 1371,6	61,00 1549,4	3,44 87,4	2,75 69,8	6,32 160,5	54,12 1374,6	55,62 1412,7	0,44 11,2	56,75 1441,5	56	1,25 31,8	58,75 1492,3	287	1081
56"	56,00 1422,4	63,00 1600,2	3,56 90,4	2,82 71,6	6,5 165	56,12 1425,4	57,69 1465,3	0,56 14,2	58,75 1492,3	60	1,25 31,8	60,75 1543,1	323	1181
58"	58,00 1473,2	65,94 1674,9	3,68 93,5	2,88 73,1	6,82 173,2	58,12 1476,2	59,69 1516,1	0,56 14,2	60,75 1543,1	48	1,38 35,1	63,44 1611,4	384	1322
60"	60,00 1524,0	67,94 1725,7	3,81 96,8	2,94 74,6	7 177,7	60,12 1527,0	61,81 1570,0	0,56 14,2	63,00 1600,2	52	1,38 35,1	65,44 1662,2	388	1430

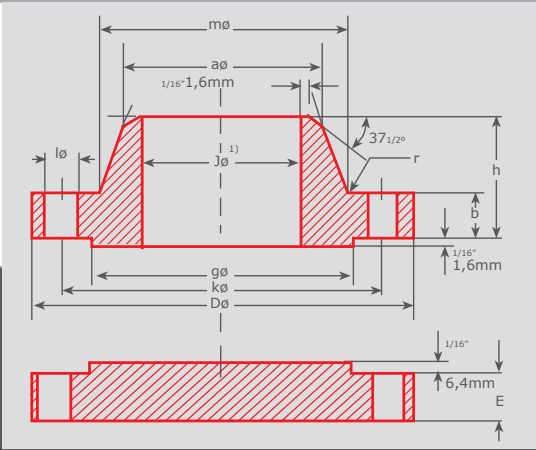
300 LB/SQ. IN.

WELDING NECK & BLIND FLANGES

ASME B 16.47 SERIES B



Pipe		Flange Dimensions					Hub			Raised Face	Drilling Template			Approx. Weight	Approx. Weight
Nom. Size DN	OD in. mm	D in. mm	E in. mm	b in. mm	h in. mm	a in. mm	m in. mm	r in. mm	g in. mm	Number	I in. mm	k in. mm	Weld. N. Kilo	Blind Kilo	
26"	26 660,4	34,12 866,6	3,50 88,9	3,44 87,3	5,63 142,9	26,19 665,2	27,62 701,5	0,56 14,2	29 736,6	32	1,38 35,1	31,62 803,1	181	404	
28"	28,0 711,2	36,25 920,8	3,50 88,9	3,44 87,3	5,82 147,8	28,19 716,0	29,75 755,7	0,56 14,2	31 787,4	36	1,38 35,1	33,75 857,3	203	457	
30"	30 762,0	39 990,6	3,69 93,7	3,63 92,1	6,16 156,4	30,25 768,4	32 812,8	0,56 14,2	33,25 844,6	36	1,50 38,1	36,25 920,8	268	555	
32"	32 812,8	41,5 1054,1	4,06 103,1	4 101,5	6,56 166,5	32,25 819,2	34 863,6	0,62 15,7	35,5 901,7	32	1,62 41,1	38,5 977,9	330	693	
34"	34 863,6	43,62 1107,9	4,06 103,1	4 101,5	6,75 171,4	34,25 870,0	36,12 917,4	0,62 15,7	37,5 952,5	36	1,62 41,1	40,62 1031,7	357	765	
36"	36 914,4	46,12 1171,4	4,06 103,1	4 101,5	7,06 179,2	36,25 920,8	38 965,2	0,62 15,7	39,75 1009,7	32	1,75 44,5	42,88 1089,2	405	858	
38"	38,00 965,2	48,12 1222,2	4,38 111,3	4,32 109,7	7,5 190,4	38,25 971,6	40,00 1016,0	0,62 15,7	41,75 1060,5	36	1,75 44,5	44,88 1140,0	416	1005	
40"	40,00 1016,0	50,12 1273,0	4,56 115,8	4,5 114,2	7,75 196,8	40,25 1022,4	42 1066,8	0,62 15,7	43,88 1114,6	40	1,75 44,5	46,88 1190,8	450	1132	
42"	42 1066,8	52,5 1333,5	4,69 119,1	4,63 117,5	8 203,1	42,31 1074,7	44 1117,6	0,62 15,7	46 1168,4	36	1,88 47,8	49 1244,6	502	1280	
44"	44 1117,6	54,5 1384,3	5 127,0	4,94 125,4	8,38 212,8	44,31 1125,5	46,19 1173,2	0,62 15,7	48 1219,2	40	1,88 47,8	51 1295,4	552	1466	
46"	46 1168,4	57,5 1460,5	5,12 130,1	5 126,9	8,69 220,7	46,31 1176,3	48,38 1228,9	0,62 15,7	50 1270,0	36	2,00 50,8	53,75 1365,3	650	1657	
48"	48 1219,2	59,5 1511,3	5,31 134,9	5 126,9	8,75 222,2	48,31 1227,1	50,31 1277,9	0,62 15,7	52,25 1327,2	40	2,00 50,8	55,75 1416,1	731	1772	
50"	50,00 1270,0	61,50 1562,1	5,50 139,7	5,38 136,6	9,19 233,4	50,31 1277,9	52,38 1330,5	0,62 15,7	54,25 1378,0	44	2,00 50,8	57,75 1466,9	760	2029	
52"	52,00 1320,8	63,50 1612,9	5,68 144,3	5,56 141,1	9,5 241,2	52,31 1328,7	54,44 1382,8	0,62 15,7	56,25 1428,8	48	2,00 50,8	59,75 1517,7	800	2230	
54"	54,00 1371,6	65,88 1673,4	5,88 149,4	5,32 135,1	9,38 238,2	54,31 1379,5	56,50 1435,1	0,62 15,7	58,25 1479,6	48	2,00 50,8	62,12 1577,8	898	2310	
56"	56,00 1422,4	69,50 1765,3	6,18 157,0	6 152,3	10,5 266,6	56,31 1430,3	58,81 1493,8	0,69 17,5	60,50 1536,7	36	2,38 60,5	65,00 1651,0	1143	2891	
58"	58,00 1473,2	71,94 1827,3	6,38 162,1	6 152,3	10,75 273	58,31 1481,1	60,94 1547,9	0,69 17,5	62,75 1593,9	40	2,38 60,5	67,44 1713,0	1217	3093	
60"	60,00 1524,0	73,94 1878,1	6,56 166,6	5,88 149,3	10,63 269,9	60,31 1531,9	62,94 1598,7	0,69 17,5	65,00 1651,0	40	2,38 60,5	69,44 1763,8	1311	3213	



400 LB/SQ. IN. WELDING NECK & BLIND FLANGES

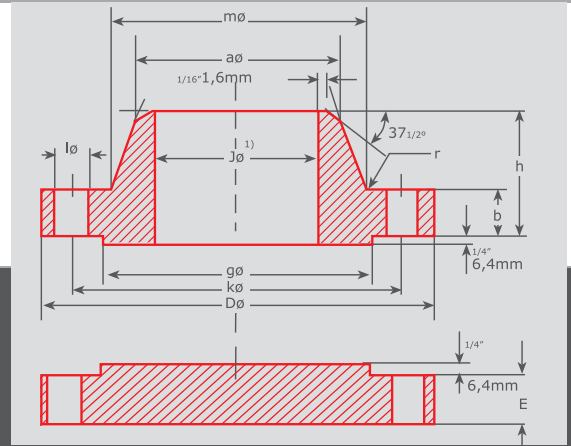
ASME B 16.47 SERIES B

Pipe		Flange Dimensions				Hub			Raised Face	Drilling Template			Approx. Weight	Approx. Weight
Nom. Size DN	OD in. mm	D in. mm	E in. mm	b in. mm	h in. mm	a in. mm	m in. mm	r in. mm	g in. mm	Number	I in. mm	k in. mm	Weld. N. Kilo	Blind Kilo
26"	26 660.4	33,5 850,9	3,5 88,9	3,5 88,9	5,88 149.4	26 660.4	27,12 688,8	0,44 11.2	28 711,2	28	1,5 38,1	30,75 781,1	176	398
28"	28,0 711,2	36 914.4	3,75 95,3	3,75 95,3	6,25 158,8	28 711,2	29,12 739,6	0,5 12,7	30 762,0	24	1,62 41,1	33 838,2	216	492
30"	30 762,0	38,25 971,6	4 101,6	4 101,6	6,99 177,5	30 762,0	31,25 793,8	0,5 12,7	32,25 819,2	28	1,62 41,1	35,25 895,4	253	592
32"	32 812,8	40,75 1035,1	4,25 108,0	4,25 108,0	7,06 179,3	32 812,8	33,25 844,6	0,5 12,7	34,38 873,3	28	1,75 44,5	37,5 952,5	300	714
34"	34 863,6	42,75 1085,9	4,38 111,3	4,38 111,3	7,38 187,5	34 863,6	35,38 898,7	0,56 14,2	36,5 927,1	32	1,75 44,5	39,5 1003,3	327	810
36"	36 914.4	45,5 1155,7	4,69 119,1	4,69 119,1	7,88 200,2	36 914.4	37,5 952,5	0,56 14,2	38,62 980,9	28	1,88 47,8	42 1066,8	402	982

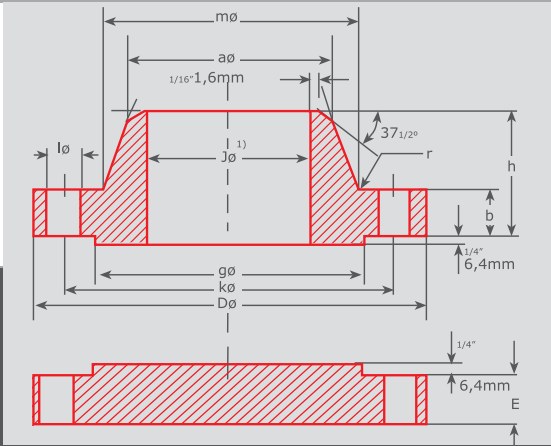
600 LB/SQ. IN.

WELDING NECK & BLIND FLANGES

ASME B 16.47 SERIES B



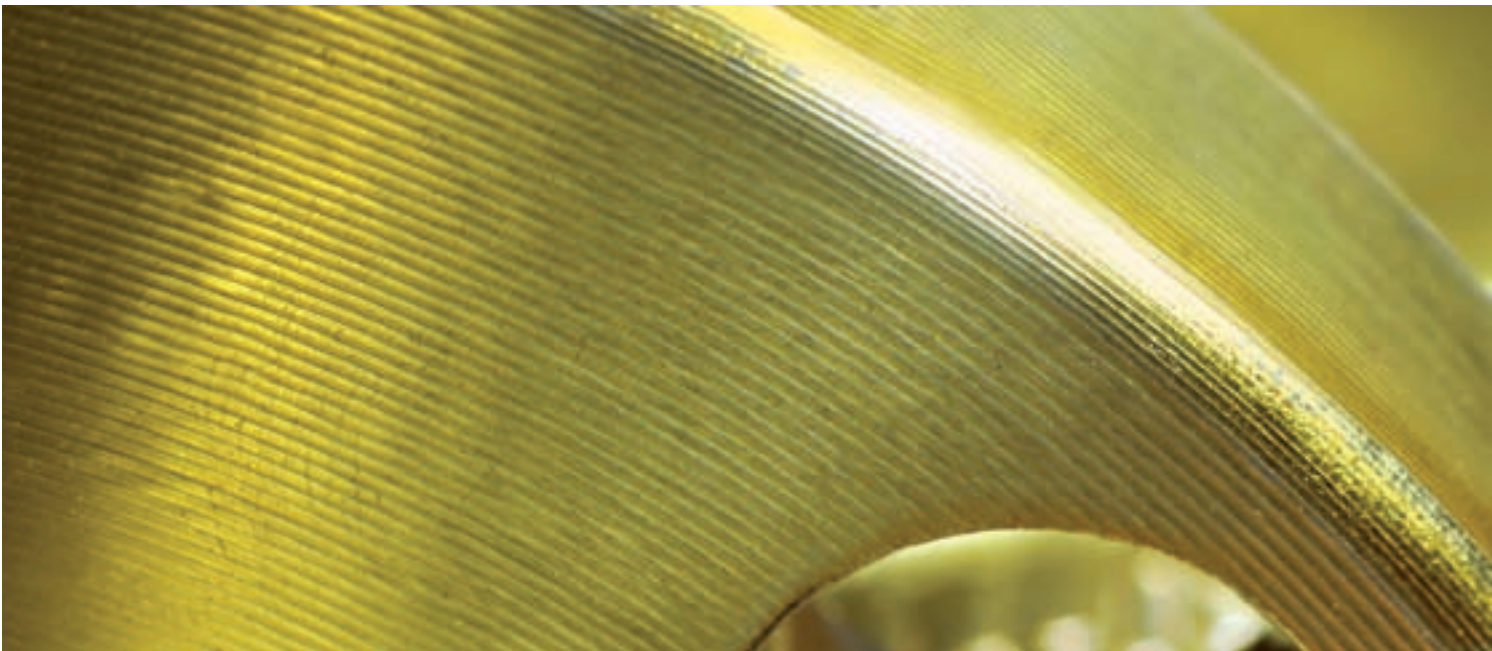
Pipe		Flange Dimensions				Hub			Raised Face	Drilling Template			Approx. Weight	Approx. Weight
Nom. Size DN	OD in. mm	D in. mm	E in. mm	b in. mm	h in. mm	a in. mm	m in. mm	r in. mm	g in. mm	Number	I in. mm	k in. mm	Weld. N. Kilo	Blind Kilo
26"	26 660,4	35 889,0	4,38 111,3	4,38 111,3	7,12 180,8	26 660,4	27,5 698,5	0,5 12,7	28,62 726,9	28	1,75 44,5	31,75 806,5	267	534
28"	28,0 711,2	37,5 952,5	4,56 115,8	4,56 115,8	7,5 190,5	28 711,2	29,62 752,3	0,5 12,7	30,88 784,4	28	1,88 47,8	34 863,6	326	637
30"	30 762,0	49,25 1022,4	5 127,0	4,94 125,5	8,06 204,7	30 762,0	31,75 806,5	0,5 12,7	33,12 841,2	28	2,00 50,8	36,5 927,1	402	793
32"	32 812,8	42,75 1085,9	5,31 134,9	5,12 130,0	8,5 215,9	32 812,8	33,88 860,6	0,5 12,7	35,25 895,4	28	2,12 53,8	38,75 984,3	462	925
34"	34 863,6	45,75 1162,1	5,68 144,3	5,56 141,2	9,19 233,4	34 863,6	36 914,4	0,56 14,2	37,5 952,5	24	2,38 60,5	41,5 1054,1	582	1150
36"	36 914,4	47,75 1212,9	5,94 150,9	5,75 146,1	9,56 242,8	36 914,4	38,12 968,2	0,56 14,2	39,75 1009,7	28	2,38 60,5	43,5 1104,9	627	1290



900 LB/SQ. IN. WELDING NECK & BLIND FLANGES

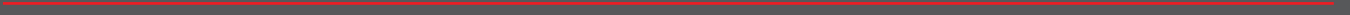
ASME B 16.47 SERIES B

Pipe		Flange Dimensions				Hub			Raised Face	Drilling Template			Approx. Weight	Approx. Weight
Nom. Size DN	OD in. mm	D in. mm	E in. mm	b in. mm	h in. mm	a in. mm	m in. mm	r in. mm	g in. mm	Number	I in. mm	k in. mm	Weld. N. Kilo	Blind Kilo
26"	26 660.4	40,25 1022,4	6,06 153,9	5,31 134,9	10,19 258,8	26 660,4	29,25 743,0	0,44 11,2	30 762,0	20	2,62 66,5	35,5 901,7	564	993
28"	28,0 711,2	43,5 1104,9	6,56 166,6	5,81 147,6	10,88 276,4	28 711,2	31,38 797,1	0,5 12,7	32,25 819,2	20	2,88 73,2	38,25 971,6	706	1256
30"	30 762.0	46.5 1181,1	6,93 176,0	6,12 155,4	11,38 289,1	30 762,0	33,5 850,9	0,5 12,7	34,5 876,3	20	3,12 79,2	40,75 1035,1	833	1516
32"	32 812,8	48,75 1238,3	7,31 185,7	6,31 160,3	11,94 303,3	32 812,8	35,75 908,1	0,5 12,7	36,5 927,1	20	3,12 79,2	43 1092,2	919	1757
34"	34 863.6	51,75 1314,5	7,68 195,1	6,75 171,5	12,56 319,0	34 863,6	37,88 962,2	0,56 14,2	39 990,6	20	3,38 85,9	45,5 1155,7	1105	2080
36"	36 914,4	53 1346,2	7,94 201,7	6,81 173,0	12,81 325,4	36 914,4	40 1016,0	0,56 14,2	40,5 1028,7	24	3,12 79,2	47,25 1200,2	1124	2256



APPENDIX

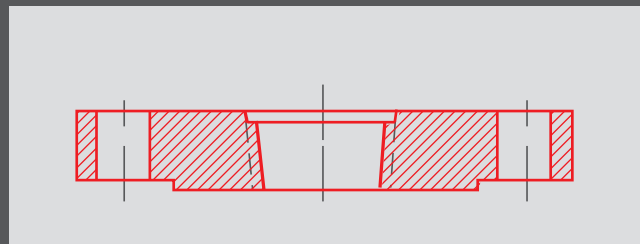
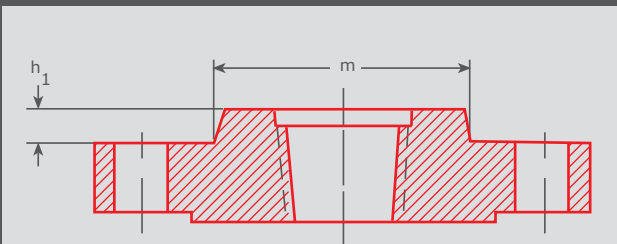
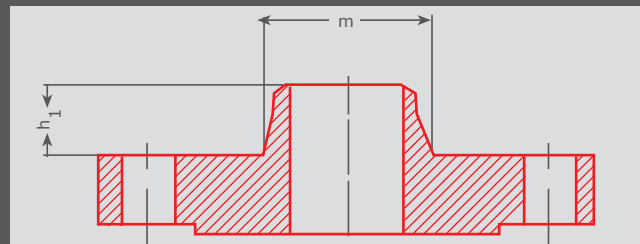
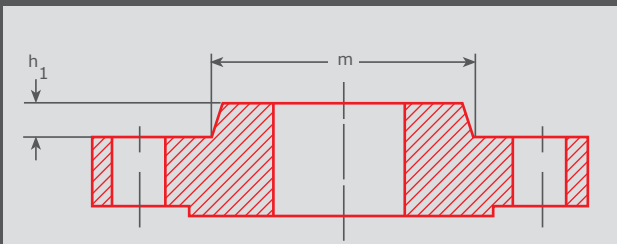




150 - 2500 LB/SQ. IN. REDUCING FLANGES

ASME B 16.5

Nominal Pipe Size	Minimum Bore or Tapping of Hub Flange	Nominal Pipe Size	Minimum Bore or Tapping of Hub Flange	Nominal Pipe Size	Minimum Bore or Tapping of Hub Flange
DN		DN		DN	
		3 1/2"	1 1/2"		
1"	1/2"	4"	1 1/2"	14"	3 1/2"
1 1/4"	1/2"	5"	1 1/2"	16"	4"
1 1/2"	1/2"	6"	2 1/2"	18"	4"
2"	1"	8"	3"	20"	4"
2 1/2"	1 1/4"	10"	3 1/3"		
3"	1 1/4"	12"	3 1/3"	24"	4"



Dimensional References

Outside Diameter, Thickness, Facing and Drilling Template:

All these dimensions correspond exactly with those of the full size flange of the nominal pipe size from which the reduction is being made. As in the case of regular full size flanges, the 1/16" Raised Face on 150 lb. and 300 lb. reducing flanges is included in thickness. The 1/4" Raised Face on flanges in the 400 lb. and higher Pressure Standards is not included in thicknesses. Any other facing can be furnished.

Hub Diameter and Height:

For Reducing Slip-on and Threaded flanges, regardless of the amount of reduction, the hub diameter at base (m) and height of hub (h_1) are the same as those of a full size flange of the same type and Pressure Standard, but one nominal pipe size smaller than the size from which the reduction is being made. For Reducing Welding Neck flanges hub dimensions are the same as those of a full size flange of the nominal pipe size (and Pressure Standard) to which the reduction is being made.

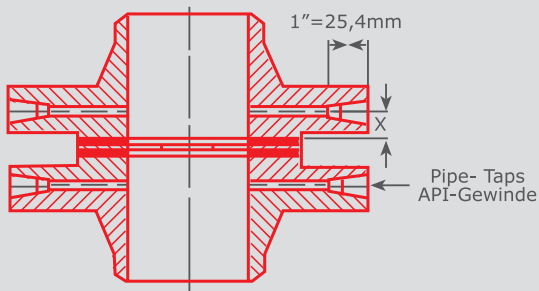
Bore:

Reducing Slip-on flanges are bored to the same diameters as full size flanges of the size (and Pressure Standard) to which the reduction is made. Reducing Threaded flanges in the 150 lb. Standard do not require a counterbore. On 300 lb. and higher Pressure Standards depth of counterbore is 1/4" for tappings 2" and smaller and 3/8" for tappings 2 - 1/2" and larger. Counter-bore diameters are the same as for full size flanges of identical tapping.

Minimum Bores:

The smallest sizes to which hubbed flanges can be bored are listed in the above table. For reductions to sizes smaller than listed, BLIND FLANGES are furnished bored or tapped to required nominal pipe size.





300-2500 LB/SQ.IN ORIFICE FLANGES

Orifice Flanges are ruled in ASME/ANSI B 16.36.
In various fields (facing, marking etc.) they are in accordance with ASME/ANSI B 16.5.

sizes: Threaded Orifice Flange:

300 lbs 1" - 8"

Slip-on Orifice Flange:

300 lbs 1" - 24"

Welding Neck Orifice Flange:

300 lbs 1" - 24"

400 lbs 4" - 24"

600 lbs 1" - 24"

900 lbs 3" - 24"

1500 lbs 1" - 24"

2500 lbs 1" - 12"

The minimum flange thickness is 38.1 mm. The overall length of hub increases in the same way as the flange thickness.
Tolerances on all dimensions shall be as shown in ASME/ANSI B 16.5 except for:

1. Pressure tap location:

Tolerance on location of centre of pressure tap hole from flange faces shall be:

- a. flange smaller than 4" ± 0.02 "
- b. flange 4" and larger ± 0.03 "

2. Inside diameter:

Bore diameter tolerance (welding neck flanges only) is $\pm 0,5$ % of nominal value.

Height of RF-Orifice Flanges 600 lbs 1" - 3" is 0,06".

Each Orifice Flange is provided with 2 pressures tap holes 1/2" NPT, displaced by 180°.

Each hole shall be equipped with a pipe plug. Tap hole diameters are:

Orifice Flanges

1" - 2 1/2 "	6,4 mm
3"	9,5mm
4" and larger	12,7 mm

The distance x from the centre line of the hole to the face is for RF-Flanges 23.8 mm and for all RT J-Flanges 19.1 mm and shall be measured at the bore. For depth of groove 11.1 mm or larger there are due to insufficient material between groove and pressure tap hole modifications of diameter of hole or type of hole necessary.

Each Flange shall have a machine bolt mounted in a hole drilled on the flange centre line at 90° from the pressure taps, for use as jackscrew. Machine bolt shall be regular with one heavy hex nut.

The depth of the slot shall admit the nut so that there is no interference with the joining of the flange when bolted together without orifice plate.

MATERIALS

CHEMICAL REQUIREMENTS

C	Mn	Si	P	S	Cr	Ni	Mo	Nb	V	Cu	Al	Ti	Other elem.	TENSILE STRENGTH		YIELD STRENGTH		HARDNESS	IMPACT TEST		HEAT TREATMENT
														KSI	N/mm	KSI	N/mm		HB	oC	
A105N	0,35	0,60-1,35	0,10-0,35	0,035	0,040	0,30	0,12		0,08	0,40				70	485	36	250	137-187		N	
C21	0,18-0,23	0,8-1,35	0,15-0,35	0,035	0,030	0,30	0,12	0,02	0,03	0,40				70-91	485-630	36	250	137-187	20	31	N
BF48N	0,23	0,70-1,35	0,15-0,30	0,035	0,035	1,45								67-86	470-600	37	255	137-187			N
CSAGR248CATI	0,35	1,35	0,35	0,050	0,060	0,30	0,12	0,05	0,10	0,40				60	414	358	248	137-187			N
ESPULMA	0,18-0,21	0,80-1,10	0,15-0,30	0,020	0,010	0,30	0,12	0,02	0,03	0,40	0,020-0,050	N:0,012		70	485	36	250	137-187	20	37	N

CARBON AND ALLOY STEEL FOR LOW TEMPERATURE

A350LF2Class1	0,30	0,60-1,35	0,15-0,30	0,035	0,040	0,30	0,12	0,02	0,08	0,40				70-95	485-655	36	250	137-197	-46	20	N
A350LF2Class2	0,30	0,60-1,35	0,15-0,30	0,035	0,040	0,30	0,12	0,02	0,08	0,40				70-95	485-655	36	250	137-197	-18	27	N
BF48F	0,20	0,90-1,40	0,35	0,030	0,020	0,45								67-86	470-600	37	255	137-187	-46	21	N
CSAGR248CATIII	0,35	1,35	0,35	0,050	0,060	0,30	0,12	0,05	0,10	0,40				60	414	36	248	137-197	-46	27	N
A350LF3Class1	0,20	0,90	0,20-0,35	0,035	0,040	0,30	3,3-3,7	0,12	0,03	0,40				70-95	485-655	38	260	137-197	-101	20	N
A350LF3Class2	0,20	0,90	0,20-0,35	0,035	0,040	0,30	3,3-3,7	0,12	0,03	0,40				70-95	485-655	38	260	137-197	-101	27	N
A350LF6Class1	0,22	1,15-1,50	0,15-0,30	0,025	0,025	0,30	0,40	0,02	0,04-0,11	0,20			N:0,01-0,03	66-91	455-630	52	360	137-197	-51	20	N
A350LF6Class2				0,025	0,025	0,30	0,40	0,02	0,04-0,11	0,40				75-100	515-690	60	415	137-197	-51	27	N
A350LF6Class3				0,025	0,025	0,30	0,40	0,02	0,04-0,11	0,40				75-100	515-690	60	415	137-197	-18	27	N
A707L3Class3	0,22	1,15-1,50	0,30	0,025	0,025	0,30	0,40	0,02	0,04-0,11	0,20			N:0,01-0,03	75	515	60	415	156-235	-46	68	Q & T
A707L3Class4				0,025	0,025	0,30	0,40	0,02						90	620	75	515	179-265	-46	68	Q & T

CARBON STEEL FOR HIGH YIELD

A694F42	0,26	1,40	0,15-0,35	0,025	0,025									60	415	42	290				
A694F52				0,025	0,025									66	455	52	360				
A694F60				0,025	0,025									75	515	60	415				
A694F65				0,025	0,025									77	530	65	455				
A694F70				0,025	0,025									82	565	70	485				

LOW ALLOY STEEL

A182F1	0,28	0,60-0,90	0,15-0,35	0,045	0,045		0,44-0,65							70	485	40	275	143-192			N & T
A182F5	0,15	0,30-0,60	0,50	0,030	0,030	4-6	0,44-0,65							70	485	40	275	143-217			N & T
A182F5a	0,25	0,60	0,50	0,040	0,030	4-6	0,44-0,65							90	620	65	450	187-248			N & T
A182F9	0,15	0,30-0,60	0,50-1	0,030	0,030	0,90-1,10								85	585	55	380	179-217			N & T
A182F91	0,08-0,12	0,30-0,60	0,20-0,50	0,020	0,010	8-9,5	0,85-1,05	0,06-0,10	0,18-0,25	0,040				85	585	60	415	248			N & T
A182F11Class1	0,05-0,15	0,30-0,60	0,50-1	0,030	0,030	1-1,5	0,44-0,65							60	415	30	205	121-174			N & T
A182F11Class2	0,10-0,20	0,30-0,60	0,50-1	0,040	0,040	1-1,5	0,44-0,65							70	485	40	275	143-207			N & T
A182F22Class1y3	0,05-0,15	0,30-0,60	0,50	0,040	0,040	2-2,5	0,87-1,13							75	515	45	310	156-207			N & T

HEAT TREATMENT ON REQUIRED

MATERIALS

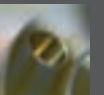
CHEMICAL REQUIREMENTS

	C	Mn	Si	P	S	Cr	Ni	Mo	Nb	V	Cu	Al	Ti	Other elem.	TENSILE STRENGTH		YIELD STRENGTH	HARDNESS	IMPACT TEST		HEAT TREATMENT	
															KSI	N/mm			KSI	N/mm		HB
AUSTENITIC STAINLESS STEEL																						
A182F304	0,08	2,00	1,00	0,045	0,030	18-20	8-11									75	515	30	205			A
A182F304H	0,04-0,10	2,00	1,00	0,045	0,030	18-20	8-11									75	515	30	205			A
A182F304L	0,03	2,00	1,00	0,045	0,030	18-20	8-13									70	485	25	170			A
A182F316	0,08	2,00	1,00	0,045	0,030	16-18	10-14	2-3								75	515	30	205			A
A182F316H	0,04-0,10	2,00	1,00	0,045	0,030	16-18	10-14	2-3								75	515	30	205			A
A182F316L	0,03	2,00	1,00	0,045	0,030	16-18	10-15	2-3								70	485	25	170			A
A182F321	0,08	2,00	1,00	0,045	0,030	17-19	9-12							5x%C-0,70		75	515	30	205			A
A182F321H	0,04-0,10	2,00	1,00	0,045	0,030	17-19	9-12							4x%C-0,70		75	515	30	205			A
A182F347	0,08	2,00	1,00	0,045	0,030	17-20	9-13		10x%C-1,10							75	515	30	205			A
A182F347H	0,04-0,10	2,00	1,00	0,045	0,030	17-20	9-13		8x%C-1,10							75	515	30	205			A
A182F904L	0,02	2,00	1,00	0,040	0,030	19-23	23-28	4-5			1-2			N:0,10		71	490	31	215			A
FERRITIC- AUSTENITIC STAINLESS STEEL (DUPLIX)																						
A182F50	0,03	2,00	1,00	0,045	0,030	24-26	5,5-6,5	1,2-2								100-130	690-900	65	450			A
A182F51	0,03	2,00	1,00	0,030	0,020	21-23	4,5-6,5	2,5-3,5								90	620	65	450			A
A182F52	0,03	2,00	0,60	0,035	0,010	26-29	3,5-5,2	1-2,5								100	690	70	485			A
A182F53	0,03	1,20	0,80	0,035	0,020	24-26	6-8	3-5			0,50					116	800	80	550	310		A
A182F54*	0,03	1,00	0,80	0,030	0,020	24-26	6-8	2,5-3,5			0,20-0,80					116	800	80	550	310		A
A182F55*	0,03	1,00	1,00	0,030	0,010	24-26	6-8	3-4			0,50-1					109-130	750-895	80	550			A
A182F57*	0,03	0,80	0,80	0,025	0,002	24-26	6,5-8	3-4			1,2-2					118	820	85	585			A
A182F59	0,03	1,50	0,80	0,035	0,020	24-26	5,5-8	3-5			0,5-3					112	770	80	550			A
A182F60	0,03	2,00	1,00	0,030	0,020	22-23	4,5-6,5	3-3,5								95	655	70	485			A
A182F61	0,04	1,50	1,00	0,040	0,030	24-27	4,5-6,5	2,9-3,9			1,5-2,5					109	750	80	550			A
A182F65	0,03	0,8-1,5	0,80	0,030	0,030	28-30	5,8-7,5	1,5-2,6			0,80					109	750	80	550			A

(*) TUNGSTEN (W) REQUIRED

N = NORMALIZED
Q = QUENCHED
T = TEMPERED
A = ANNEALED

CHEMICAL REQUIREMENTS ARE MAXIMUM AND MECHANICAL REQUIREMENTS ARE MINIMUM



ULMA Piping - Headquarters
Registered Name: **ULMA Forja**, S.Coop.
Bo Zubillaga, 3 - P.O. Box 14
20560 Oñati
Gipuzkoa - Spain

Tel. +34 943 78 05 52
Fax +34 943 78 18 08

www.ulmapiping.com

Industrias **ULMA** Venezolana - **Branch office**
Edificio Torre Financiera
Av. Principal Colinas de Bello Monte
Planta intermedia, Oficina PI-F
1041 Caracas
Venezuela

Tel. +58 0212 75 35 013
+58 0212 75 36 833
Fax +58 0212 75 36 631

